

REV. Status

REVISION -
01/09/92 HA

REVISION A
REV DIMS
16.7(0.66)MAX
-WAS-
16.8(0.66)MAX
41.9(1.65)MAX
-WAS-
42.0(1.65)MAX
19.05±0.5
(0.75±0.02)
-WAS-
6.35±0.5
(0.25±0.02)
TEMECULA
WAS CARSON
10/20/94 TS

REVISION B
NEW FORMAT
UPDATED LABEL
ADDED T5114
AND MICROTRAN
12/19/96 TS

FCC68 LOW PROFILE HIGH PERFORMANCE TRANSFORMER

A. Electrical Specifications (@ 25 ° C)

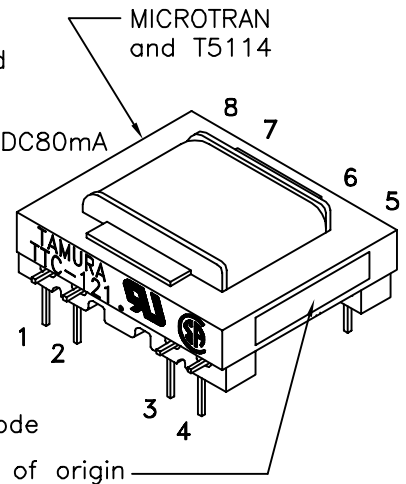
1. Pri Source Impedance; 600 Ω
2. Sec Load Impedance; 600 Ω CT, 300 Ω split
3. Sec DC Current; 80mA MAX (1-4)
4. Operating Level; -45 dBm to +7 dBm
5. Insertion Loss;
 - 1.1 dB TYP @ 1 KHz, 0 dBm, DC80mA
 - 1.5 dB MAX
6. Frequency Response; (relative to 1KHz)
 - ±0.7 dB @ 300 Hz to 3.5 KHz, 0 dBm, DC80mA
7. Return Loss;
 - 23 dB TYP @ approx. 460Ω plus 0.04 uF parallel load
 - 18 dB TYP @ 600Ω load
8. Longitudinal Balance; 60 dB MIN @ 200 Hz to 4 KHz
9. Total Harmonic Distortion; 0.3% MAX @ 300 Hz, 0 dBm, DC80mA
10. DC Resistance;
 - (6-7) = 74 Ω ±10%
 - (1-4) = 64 Ω ±10%
11. Turns Ratio;
 - (6-7) : (1-2) = 1 : 0.50 ±2%
 - (6-7) : (3-4) = 1 : 0.50 ±2%
12. Dielectric Strength;
 - 1500 Vrms 1 minute @ Pri to Sec, Pri to Core
 - 1000 Vrms 1 minute @ Sec to Core



UL# E142035

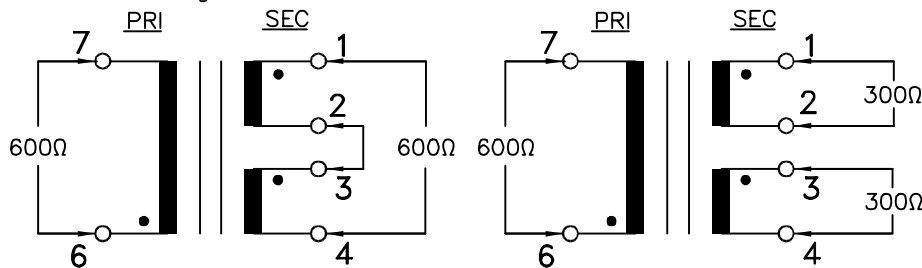
MODEL NUMBER

TTC-121

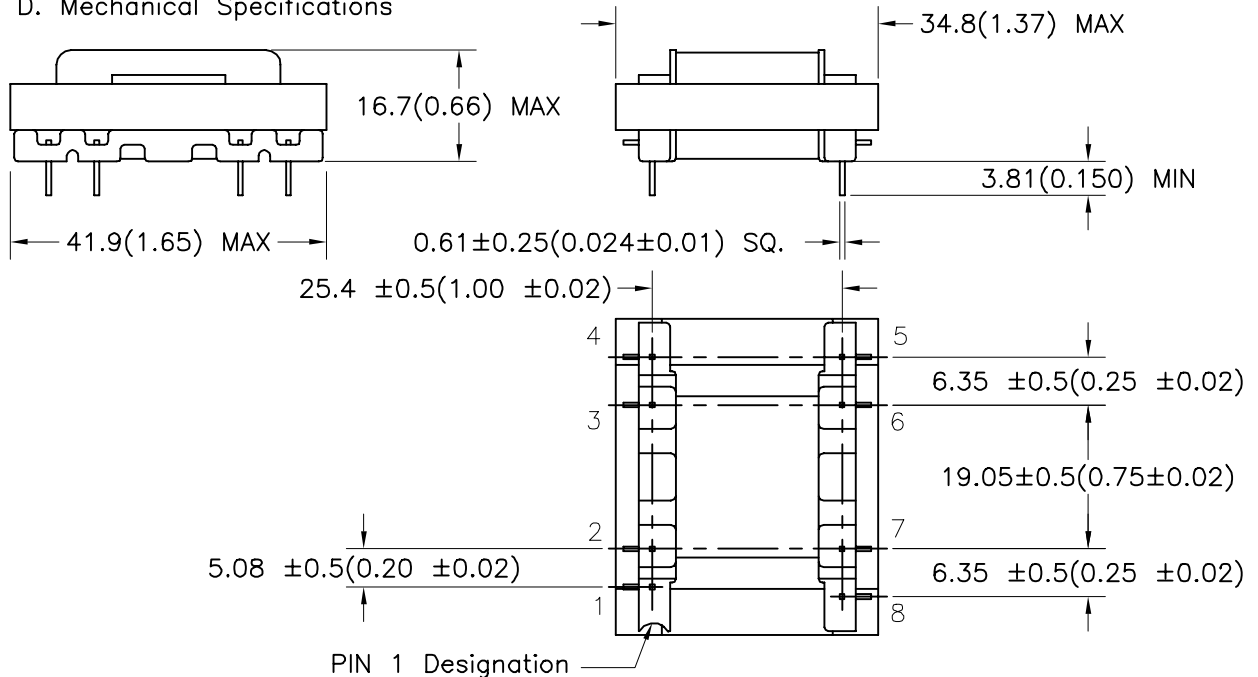


B. Marking; TTC-121, TAMURA, T5114, MICROTRAN, 196-date code and country of origin
Date code and country of origin

C. Schematic Diagram



D. Mechanical Specifications



PREPARED BY:

K. Brennan

ENGINEER:

T. Shiozawa

QUALITY CONTROL:

D. Kelley

APPROVED:

D. Kelley

DRAWING CONTROL NO.
P-A1-10334

ACAD\TTC\A1103341.DWG

REV

B

MODEL DESCRIPTION
TELECOMMUNICATION COUPLING
TRANSFORMER

TAMURA CORPORATION OF AMERICA

43352 BUSINESS PARK DRIVE, TEMECULA, CA. 92590-6624
(909) 699-1270 FAX 9096769482

MODEL SPECIFICATION

TTC-121

DIM: mm(In) SCL: 1/1 SH: 1 OF 1

PROPRIETARY NOTICE: THIS DRAWING PRINT OR DOCUMENT AND SUBJECT MATTER DISCLOSED HEREIN ARE PROPRIETARY ITEMS TO WHICH TAMURA RETAINS THE EXCLUSIVE RIGHT OF DISSEMINATION, REPRODUCTION, MANUFACTURE AND SALE. THIS DRAWING, PRINT OR DOCUMENT IS SUBMITTED IN CONFIDENCE FOR CONSIDERATION BY THE RECIPIENT ALONE UNLESS PERMISSION FOR FURTHER DISCLOSURE IS EXPRESSLY GRANTED IN WRITING.