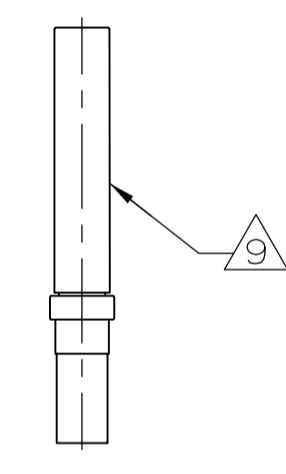
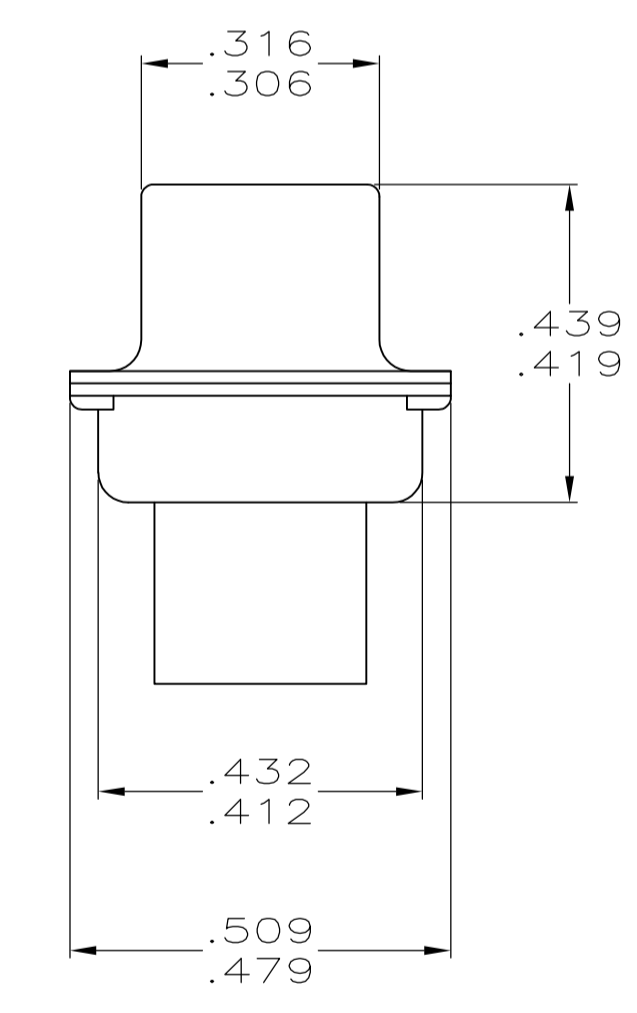
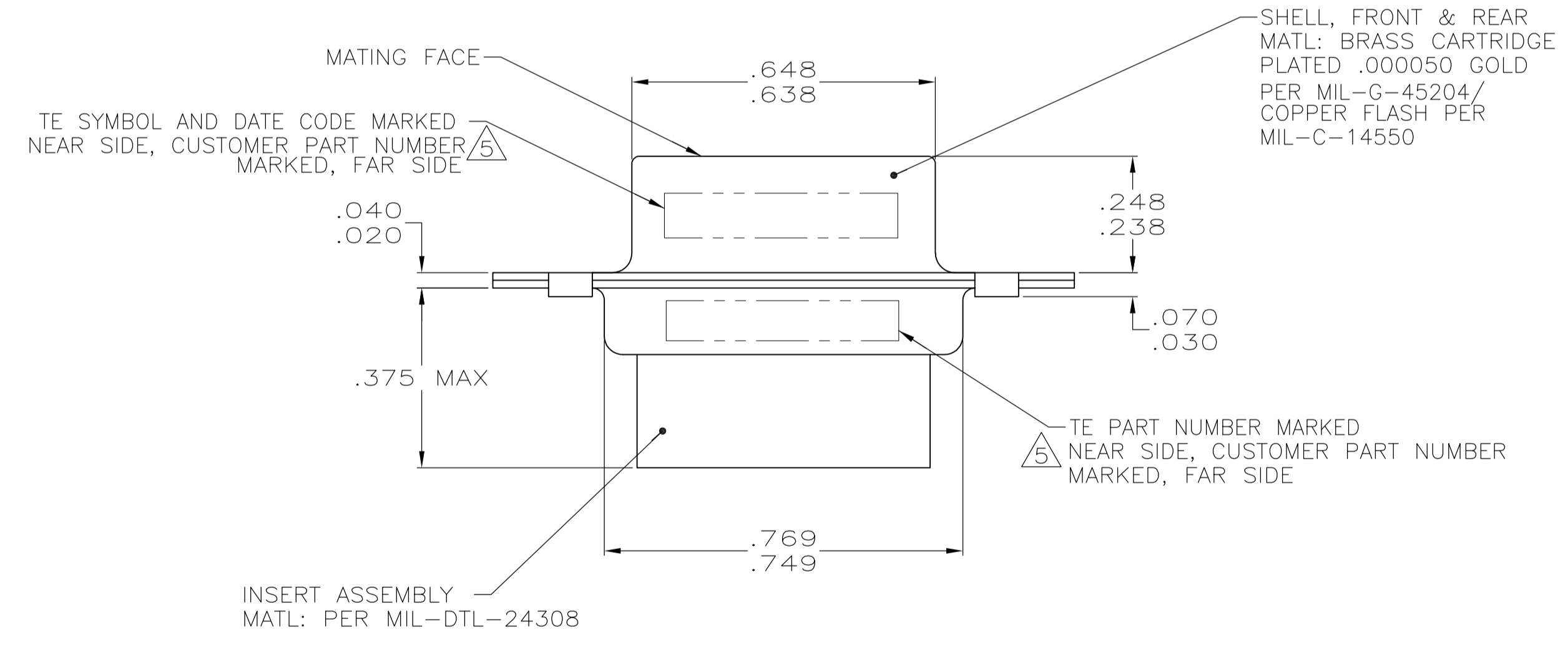
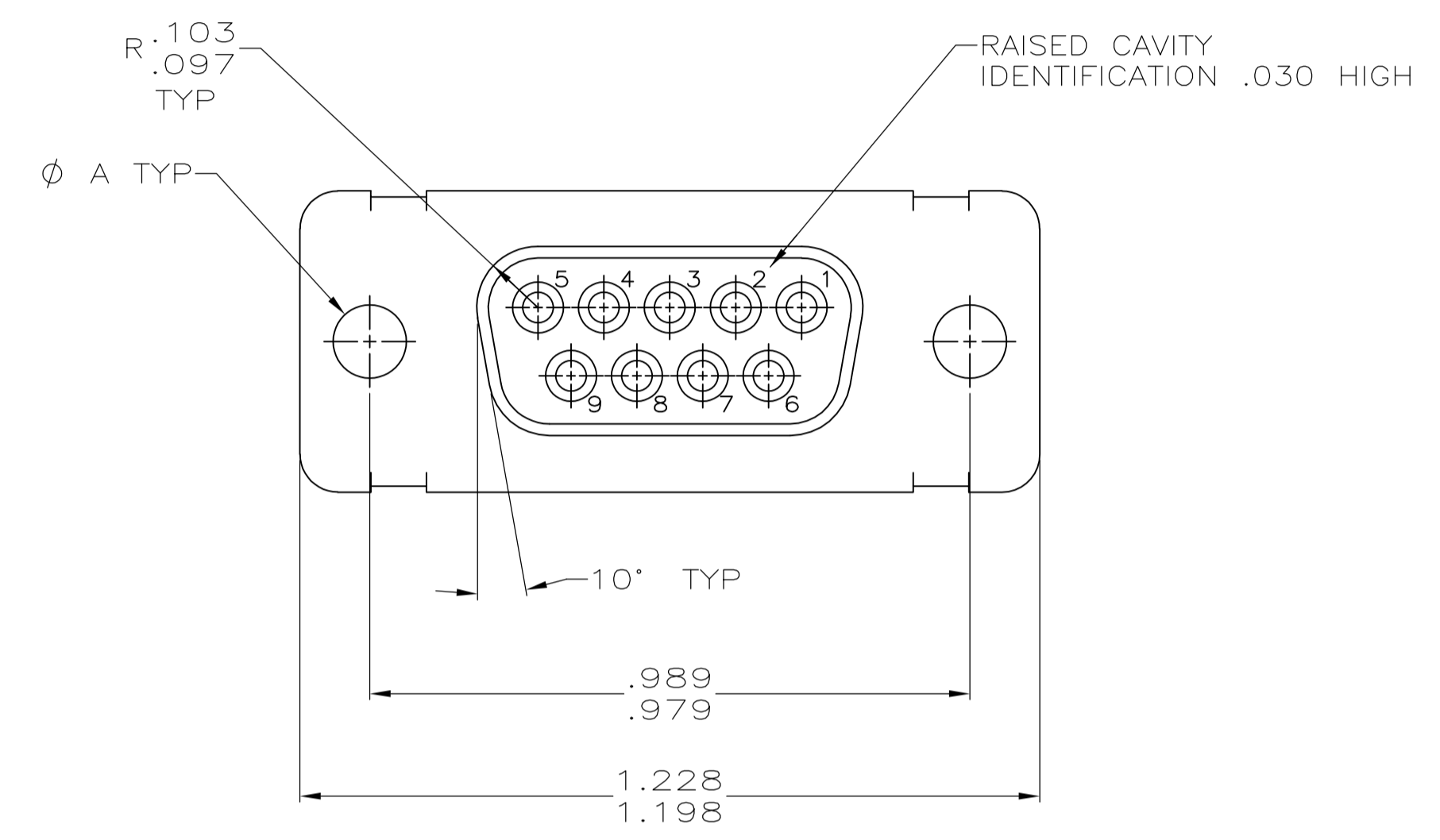


| LOC | | DIST | | REVISIONS | | | |
|-----|-----|----------------------|---------|-----------|------|--|--|
| P | LTR | DESCRIPTION | DATE | DNW | APVD | | |
| U | | REV PER ECO 15-16064 | 11-9-15 | CT | CD | | |



- △ THIS RECEPTACLE WILL MATE WITH ANY PLUG WITH THE SAME INSERT ARRANGEMENT AS DEFINED BY MS18273-1.
- 2. MAXIMUM WIRE INSULATION USED WITH THIS RECEPTACLE IS .072 DIA MAX.
- 3. Be Cu RETENTION CLIPS ARE INCLUDED IN INSERT.
- △ CUSTOMER PART NUMBER MAY BE SPLIT BETWEEN FRONT AND REAR SHELLS, SAME SIDE. FAR SIDE REFERS TO WIDE SIDE OF KEYSTONE, NEAR SIDE REFERS TO NARROW SIDE OF KEYSTONE.
- △ THESE CONNECTORS ARE QUALIFIED TO GODDARD SPACE FLIGHT CENTER SPECIFICATION S-311-P-4.
- 7. CUSTOMER PART NUMBER MAY BE SPLIT BETWEEN FRONT AND REAR SHELLS.
- △ RESTRICTED TO CAE ELECTRONICS ONLY.
- △ CONNECTOR SUPPLIED WITH CONTACTS, TE PART NUMBER 206793-1; (NOT INSTALLED).

| REMARKS | DIA A | INK STAMPED CUSTOMER P/N | INK STAMPED TE P/N | AMP P/N |
|-------------------------|-------|--------------------------|--------------------|----------|
| SUPERSEDED BY 1996077-1 | .120 | 8333648P2 | 207253-8 | 207253-8 |
| | .120 | 570513-1 | 207253-7 | 207253-7 |
| △ 9 | .120 | LMSC 1621480-001 | 207253-6 | 207253-6 |
| | .120 | LMSC 1621480-001 | 207253-5 | 207253-5 |
| △ 8, △ 6 | .120 | 311P409-1S-B-12 | 207253-2 | 207253-4 |
| | - | - | 207253-3 | 207253-3 |
| △ 6 | .120 | 311P409-1S-B-12 | 207253-2 | 207253-2 |
| △ 6 | .154 | 311P409-1S-B-15 | 207253-1 | 207253-1 |

THIS DRAWING IS A CONTROLLED DOCUMENT.

| | | | |
|-----------------------|--|--------------------------|---|
| DIMENSIONS: INCHES | TOLERANCES UNLESS OTHERWISE SPECIFIED: | DIN T. THOMPSON 04-11-94 | STE TE Connectivity |
| 0 PLC ± .005 | 1 PLC ± .005 | CIK D. MANTIONE 04-13-94 | NAME AMPLIMITE RECEPTACLE ASSEMBLY SERIES 109, SIZE 1 |
| 2 PLC ± .005 | 3 PLC ± .005 | APVD D. MANTIONE 4-13-94 | PRODUCT SPEC |
| 4 PLC ± .005 | ANGLES ± .005 | APPLICATION SPEC | SIZE CAGE CODE DRAWING NO RESTRICTED TO |
| MATERIAL SEE CALLOUTS | FINISH SEE CALLOUTS | WEIGHT | A1 00779 C=207253 |
| CUSTOMER DRAWING | | SCALE 4:1 | SHEET 1 OF 1 REV U |