

Version	SIGN	DATE	DESCRIPTION	APPROVER
C	△	2009.6.18	The design is changed	Jacke
D	△	2009.10.07	The design is changed	Jacke
D	△	2009.10.07	The dimension is changed from 16.2mm to 16.0mm	Jacke
D	△	2009.10.07	Add UL standard	Jacke
E	△	2011.04.06	Structure changed	Runner
F	△	2017.01.20	Change the pole's numerical range of the tolerance table.	Eddie

THIS IS CAD DRAWING, DO NOT REVISE MANUALLY!!!

Material:

- Item a :Terminal lever:Thermoplastic (UL94 V-0)
- Item b :Terminal body Thermoplastic (UL94 V-0)
- Item c :Solder pin: Brass Tin plated
- Item d :wire guard: Stainless steel
- Item e :Terminal cover: Thermoplastic (UL94V-0)

Electrical cULus

- Voltage rating: 150V
- Current rating: 3A
- Wire range: 0.08~0.52mm²;
- Solid wire(AWG): 20-28
- Stranded wire(AWG): 20-28
- Wire strip length: 9-10mm
- Withstanding Voltage: 1.3KV
- Operating temperature: -40°C to +115°C
- Soldering temperature: 260°C±5°C/5 Sec
- Safety Approval: cULus
- Critical dimension: △



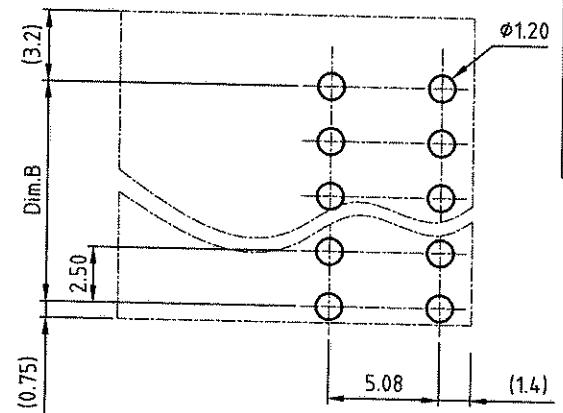
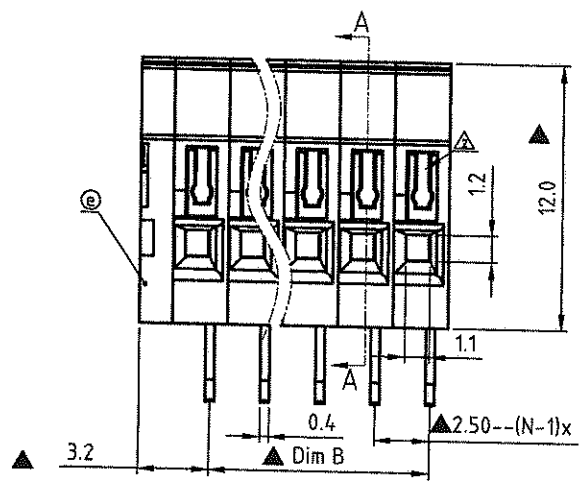
NA xx B 1 x 0 xxxx G

- No.OF POLES
- 02 2 poles
 - 03 3 poles
 -
 - 24 24 poles

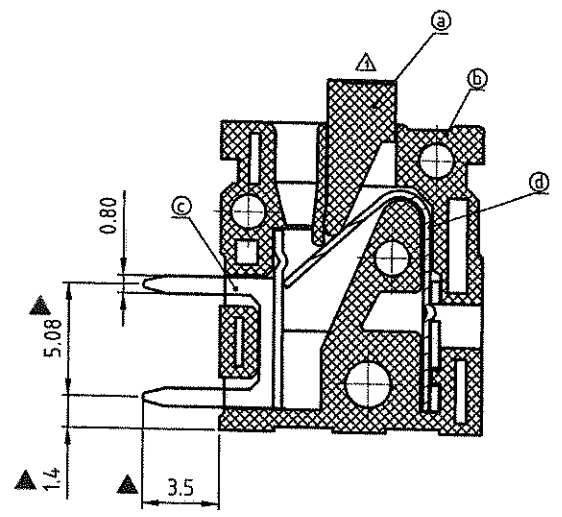
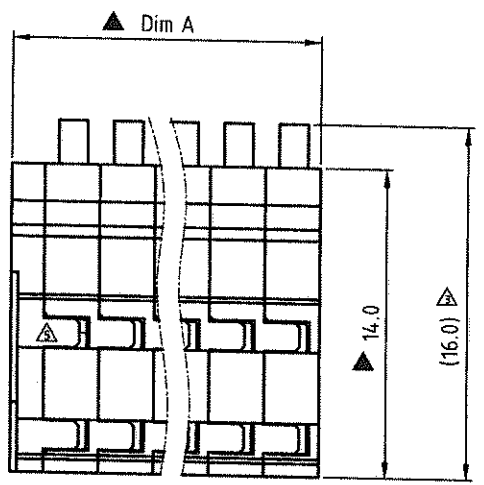
- △ COLOR
- 0 Black (RAL9005)
 - 2 Red (RAL3001/D)
 - 3 Orange(RAL2011/P)
 - 4 Yellow(RAL1018/A)
 - 5 Green(RAL6018/T)
 - 6 Blue (RAL5015/A)
 - 8 Grey(RAL7004/p)
 - C Multiple colors

G RoHS compliant (lead<4%) In copper Alloy

0000: "@" Logo (Standard)
000A: "ANYTEK" Mark
Any special item by customer request. please contact sales department.



P.C.B LAYOUT

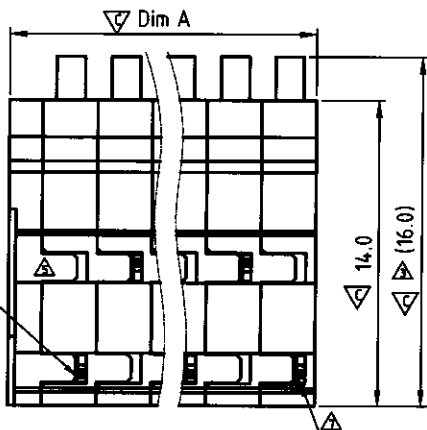
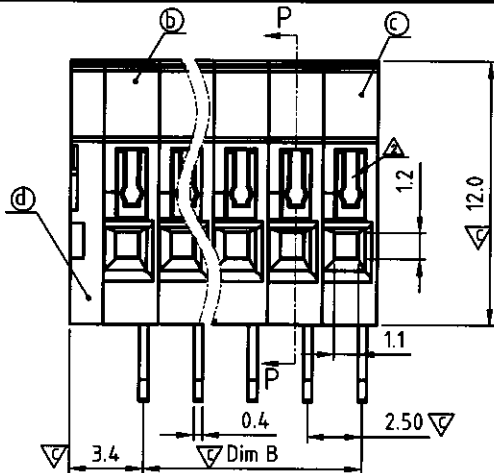


SECTION A-A

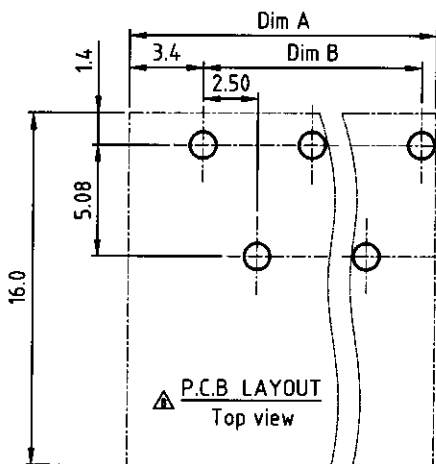
N = Number of poles
Dim A=Nx2.5+1.5
Dim B=(N-1)x2.5

Poles	Dim A	Dim B
2-6p	±0.20	±0.20
7-12p	±0.25	±0.25
13-24p	±0.30	±0.30

Amphenol ANYTEK				CUSTOMER COPY			
ALL RIGHTS RESERVED. REPRODUCTION OR ISSUE TO THIRD PARTIES IN ANY FORM WHATSOEVER IS NOT PERMITTED WITHOUT WRITTEN AUTHORITY FROM THE PROPRIETOR. PROPERTY OF ANYTEK TECHNOLOGY CO., LTD							
TITLE		NA 2.5mm series Double tail A type Horizontal (180D wire inlet)					
PART NO.		NAxxB1x0xxxxG		DWG NO.		8NA0005	
APPROVED		CHECKED	DESIGNED	DRAWN	CUST NO.		Tolerance
[Signature]		Runner	Jacke	2011.04.06	2009.10.07		X. ±0.50
[Signature]		[Signature]		[Signature]		X.X ±0.30	
[Signature]		[Signature]		[Signature]		X.XX ±0.10	
[Signature]		[Signature]		[Signature]		X° ±1°	
SHEET: 01/01				UNIT: mm		SCALE: 4/1	
REV: F				REV: F		REV: F	

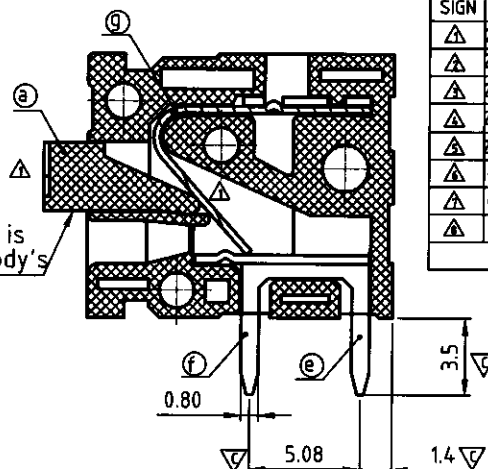


△ Down contacts pin omit Top side with cover



△ P.C.B. LAYOUT Top view

The color of lever is consistent with body's



SECTION P-P

Material:

- Item a :Terminal lever:Thermoplastic (UL94 V-0)
- Item b :Terminal Normal housing: Thermoplastic (UL94 V-0)
- Item c :Terminal side body Thermoplastic (UL94 V-0)
- Item d : Terminal cover: Thermoplastic (UL94V-0)
- Item e : Down contacts pin omit Top side: Brass Tin plated
- Item f : Top contacts pin omit Down side: Brass Tin plated
- Item g : wire guard: Stainless steel



N = Number of poles

Dim A=Nx2.5+1.5

Dim B=(N-1)x2.5

	Dim A	Dim B
3-5p	±0.20	±0.20
7-11p	±0.25	±0.25
13-23p	±0.30	±0.30

SIGN	DATE	DESCRIPTION	APPROVER
△	2009.6.18	The design is changed	Jacke
△	2009.10.07	The design is changed	Jacke
△	2009.10.07	The dimension is changed from 16.2mm to 16.0mm	Jacke
△	2009.10.07	Add UL standard	Jacke
△	2011.01.12	Structure changed	Runner
△	04/06'11	Add is spec.	Chen Bo
△	08/22'12	The drawing revising	Dacheng
△	12/28'13	update the drawing	Da cheng

THIS IS CAD DRAWING, DO NOT REVISE MANUALLY!!!

Electrical

cULus

- Voltage rating: 150V
- Current rating: 3A
- Wire range: 0.08-0.52mm²
- Solid wire(AWG): 20-28
- Stranded wire(AWG): 20-28
- Wire strip length: 9-10mm
- Withstanding Voltage: 1.3KV
- Operating temperature: -40°C to +115°C
- △ ● Soldering temperature: 260°C±5°C/5 Sec

- △ ● Safety Approval: cULus
- △ ● Critical dimension: ▽

NA xx B 1 x 1 xxxx G

- NO of poles
- 03 3 poles
 - 05 5 poles
 -
 - 23 23 poles

- △ Body Color
- 0 Black (RAL9005)
- 2 Red (RAL3001/D)
- 3 Orange(RAL2011/P)
- 4 Yellow(RAL1018/A)
- 5 Green(RAL6018/T)
- 6 Blue (RAL5015/A)
- 8 Grey(RAL7004/P)
- 9 White(RAL1102)
- C Multiple colors

0000: "@" Logo (Standard)
000A: "ANYTEK" Mark
Any special item by customer request, please contact sales department.

ANYTEK

CUSTOMER COPY

ALL RIGHTS RESERVED. REPRODUCTION OR ISSUE TO THIRD PARTIES IN ANY FORM WHATSOEVER IS NOT PERMITTED WITHOUT WRITTEN AUTHORITY FROM THE PROPRIETOR. PROPERTY OF ANYTEK TECHNOLOGY CO., LTD

TITLE		NA 2.5mm series Single tail B type Horizontal (180D wire inlet) 單線P	
PART NO.	NAxxB1x1xxxxG	DWG NO.	8NA0004
APPROVED	CHECKED	DESIGNED	DRAWN
		Da cheng 2013.12.28	Da cheng 2013.12.28
CUST NO.		Tolerance	
		UNIT: mm	X. ±0.50
		SCALE: 4/1	X.X ±0.30
		REV: G	X.XX ±0.10
			X° ±1°

SHEET: 01/01