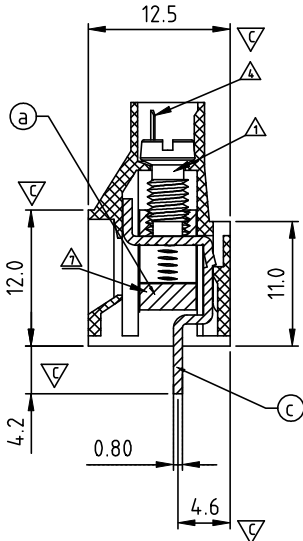
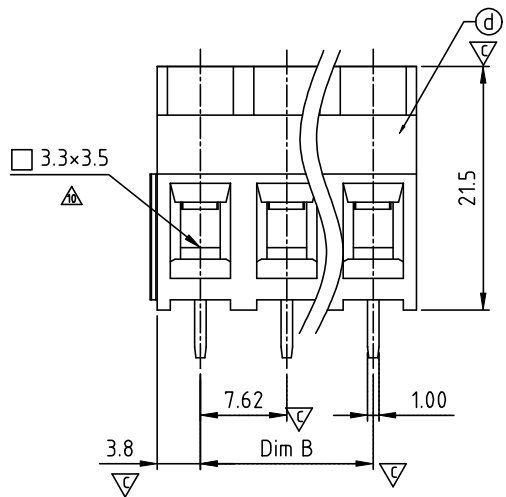
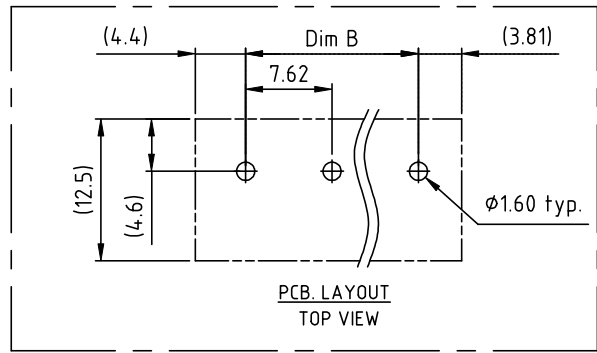
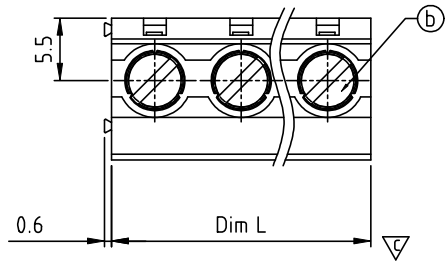


SIGN	DATE	DESCRIPTION	APPROVER
△	9/6'07	The screw is changed from M3.0 to M3.5	Marvin
△	9/6'07	The electrical is changed	Marvin
△	7/4'09	Current , operating temperature are changed	Jody
△	05/25'09	Structure changed	Eris
△	11/10'09	Wire guard solder pin is changed from Brass to Copper	Aaron
△	02/22'10	Torque is changed from 8.9Lb-In to 6.9Lb-In	Aaron
△	08/03'10	Clamp is changed	Aaron
△	12/13'10	Add is " TUV "	Chen Bo
△	10/22'13	Update the drawing	Guoxue
△	08/08'14	change the dimension from □3.0×3.0 to □3.3×3.5	Evan
△	08/08'14	update the drawing	Evan

THIS IS CAD DRAWING, DO NOT REVISE MANUALLY!!!



Material

- Item ② Clamp : Brass, Ni plated
 - Item ⑤ Terminal screw: Steel Zinc plating "-" slot type
 - △ ● Item ③ Wire guard solder pin : Copper, Tin plated
 - Item ④ Terminal housing : Thermoplastic (UL94V-0)
- | | | |
|----------------------------|-----------------|-------------------------|
| △ Electrical | cULus | TUV |
| ● Voltage rating: | 300VAC | 750VAC |
| △ ● Current rating: | 30A | 41A |
| ● Wire range: | | 0.20-6.0mm ² |
| △ ● Solid wire(AWG): | 10-24 | |
| △ ● Stranded wire(AWG): | 10-24 | |
| △ ● Torque(Lb-In): | 6.9 | 0.85 N.m |
| △ ● Screw: | M3.5 | |
| ● Wire strip length: | 6-7mm | |
| ● Withstanding Voltage: | 1.6KV | 3.0KV |
| △ ● Operating temperature: | -40°C to +115°C | |
| △ ● Soldering temperature: | 260°C±5°C/5 Sec | |
| ● Safety Approval: | | |
| ● Critical dimension: | | |

DIMENSION
N = Number of poles

Dim L	Nx7.62
Dim B	(N-1)x7.62
Poles	Tolerance
2p-6p	±0.15
7p-11p	±0.25
12p-16p	±0.35

T7 xx 43 x 0 xxxx G

G RoHS compliant (lead<4%) In copper Alloy

No. of poles end stackable design

0	Black (RAL9005)	
2	Red (RAL3001/D)	
3	Orange(RAL2011/P)	
4	Yellow(RAL1018/A)	
5	Green(RAL6018/T)	
6	Blue (RAL5015/A)	
8	Grey(RAL7035/D)	
C	Green(RAL6018/U)	

0000 Standard @ Logo
000A Standard ANY Logo
0091 Standard ANY Logo
Any special item by customer request, please contact sales department.

<h1>ANYTEK</h1>		<h2>CUSTOMER COPY</h2>	
ALL RIGHTS RESERVED. REPRODUCTION OR ISSUE TO THIRD PARTIES IN ANY FORM WHATSOEVER IS NOT PERMITTED WITHOUT WRITTEN AUTHORITY FROM THE PROPRIETOR. PROPERTY OF ANYTEK TECHNOLOGY CO., LTD			
TITLE	T7 7.62 SERIES 2P-16P Vertical 180° "-" screw		
PART NO.	T7xx43x0xxxxG	DWG NO.	8T70401
APPROVED	CHECKED	DESIGNED	DRAWN
		Evan 2014.09.15	Evan 2014.09.15
		UNIT: mm	
		SCALE: NONE	
		Tolerance	
		X.X ±0.50	
		X.XX ±0.30	
		X° ±1°	
SHEET: 01/01		REV.: K	