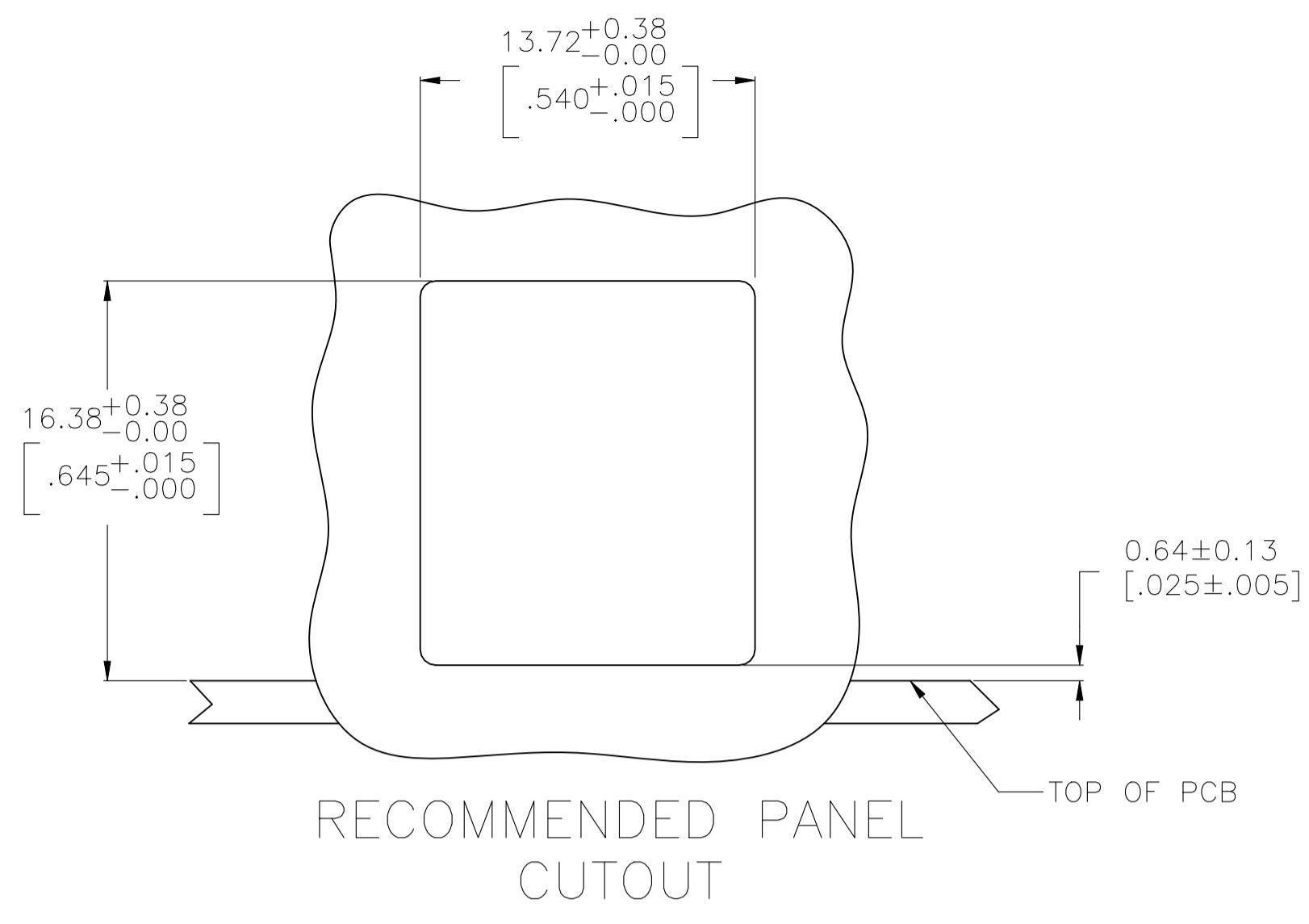
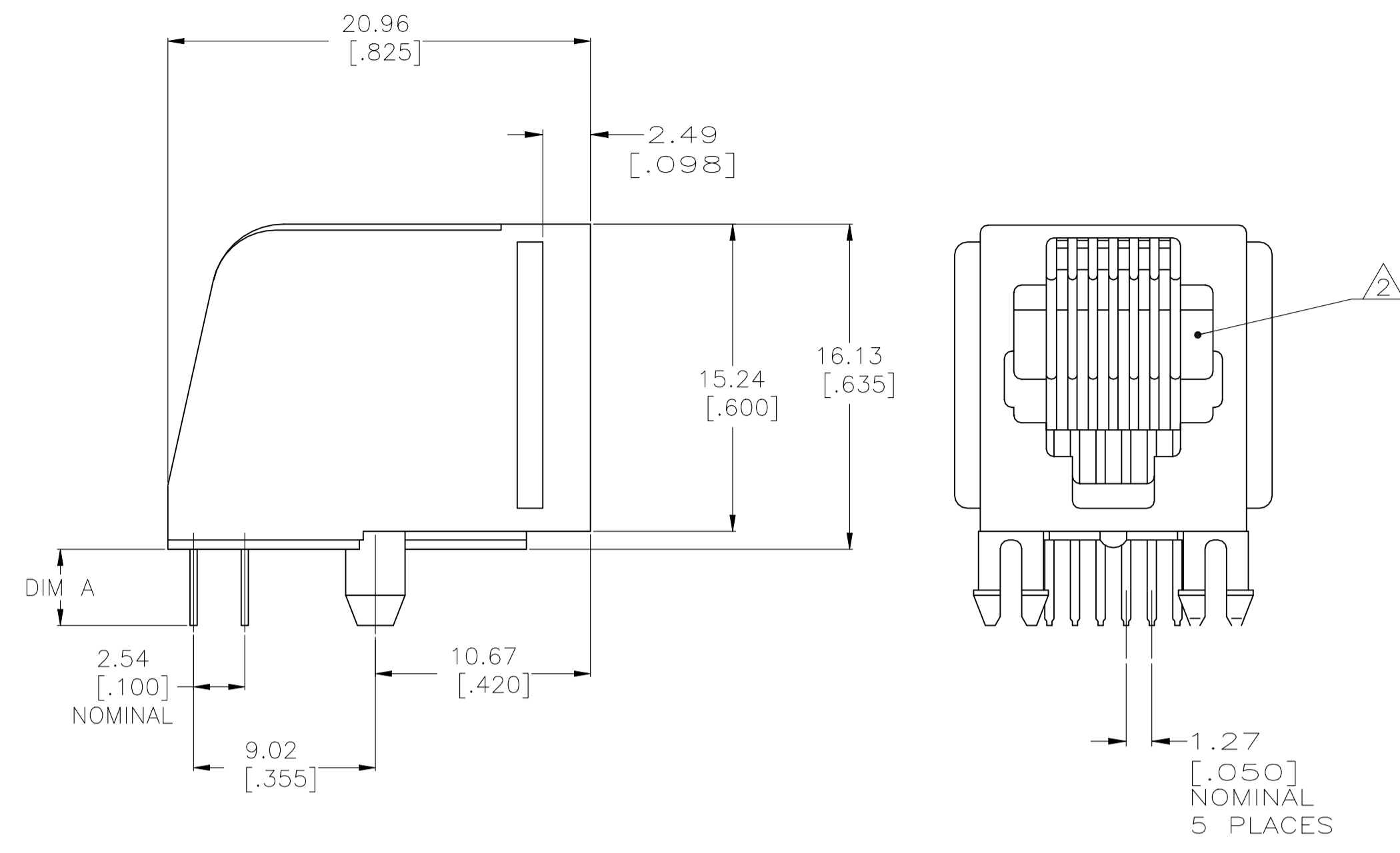
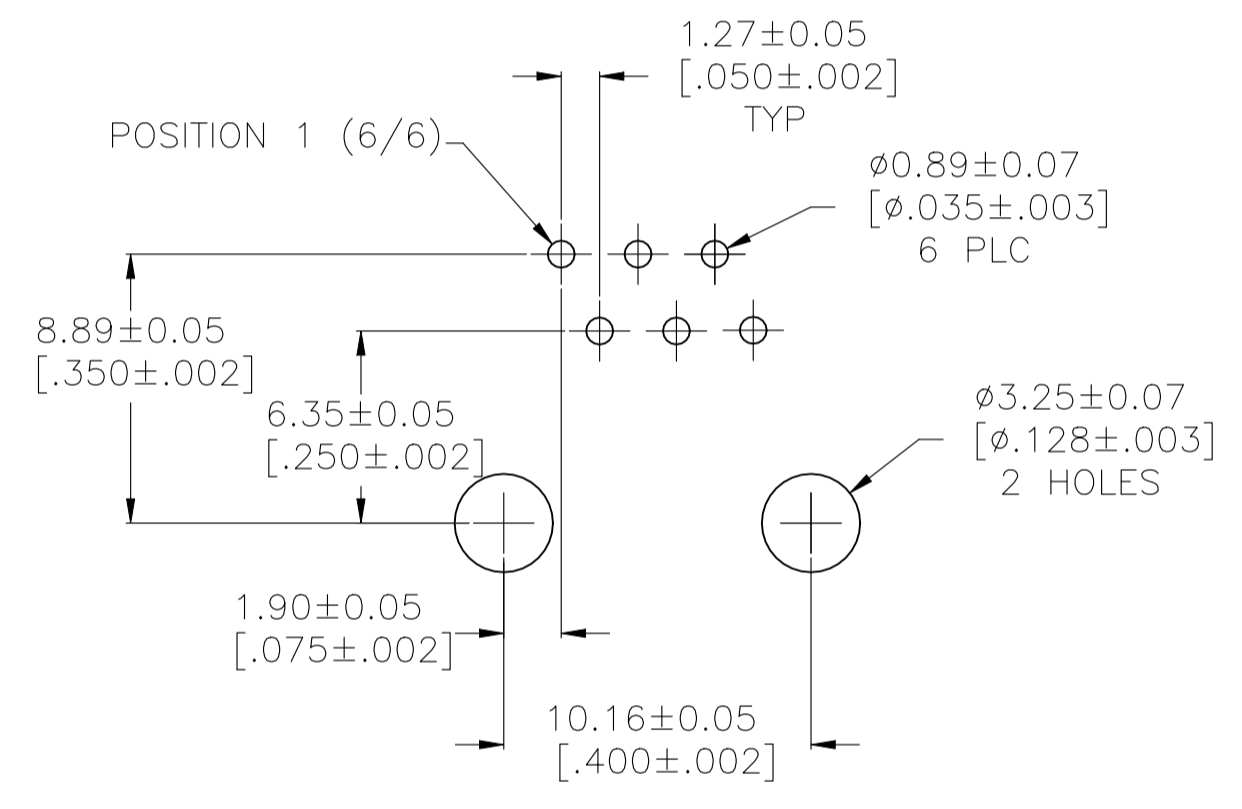
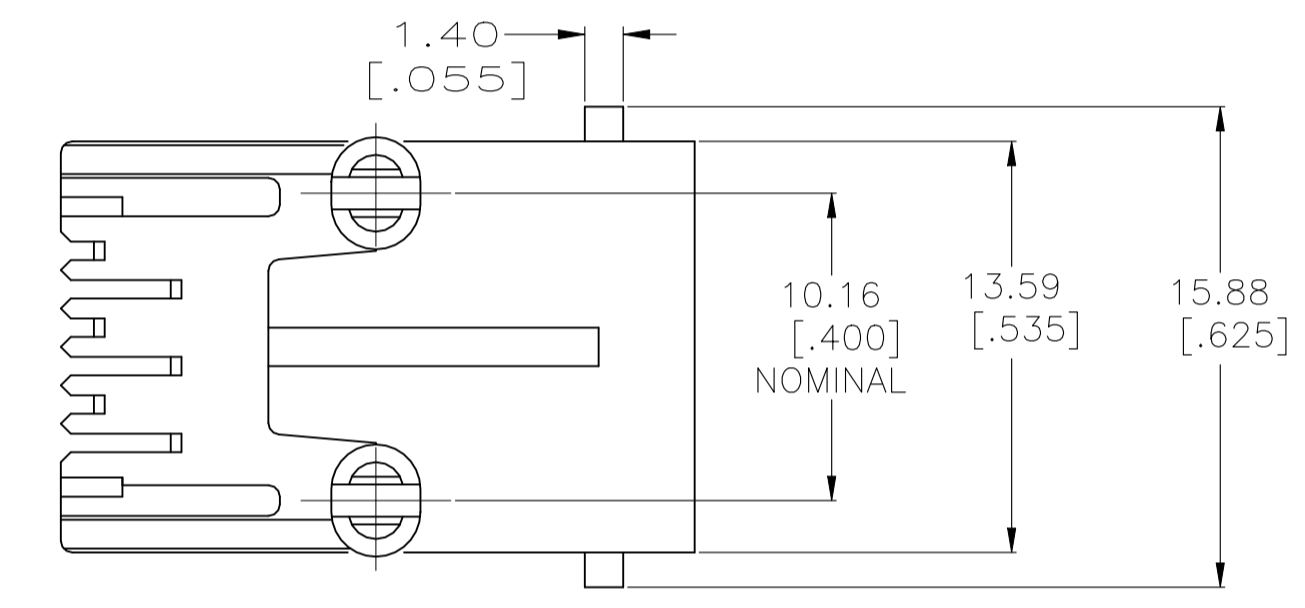


| REVISIONS | | | | |
|-----------|------------------------------|-----------|----|-------|
| REV | DESCRIPTION | DATE | BY | APP'D |
| D3 | REVISED AS PER ECN-22-180673 | 07NOV2022 | KH | SZ |



- MATERIAL:
 HOUSING - PBT POLYESTER, COLOR: BLACK
 TERMINAL - 0.36[.014] THICK PHOS BRONZE PLATED WITH (SEE TABLE) MIN HARD GOLD IN LOCALIZED GOLD PLATE AREA AND 2.03µm[.000080] MIN THICK MATTE TIN IN SOLDER AREA OVER 1.27µm[.000050] MIN THICK NICKEL UNDERPLATE
- CAVITY CONFORMS TO FCC RULES AND REGULATIONS PART 68 AND REA BULLETIN 345-81, PE-76 SPECIFICATION FOR MODULAR TELEPHONE HARDWARE.
- 0.15µm[.000006] GOLD PLATED PARTS DO NOT MEET THE MINIMUM GOLD THICKNESS REQUIREMENT OF FCC SPECIFICATION, PART 68. PARTS HAVE NOT BEEN TESTED TO THE DURABILITY REQUIREMENTS OF TE PRODUCT SPEC 108-1163
- TERMINALS FOR 5520250-1 AND -2 LOCATED IN CENTER POSITIONS
- DIMENSIONS ARE MAXIMUM UNLESS OTHERWISE SPECIFIED



RECOMMENDED PRINTED CIRCUIT BOARD LAYOUT COMPONENT SIDE SHOWN

| STATUS | PLATING | THICKNESS | DIM A | TERMINALS REQUIRED | PART NUMBER |
|----------|--------------------------|-----------------------|------------|--------------------|-------------|
| OBSOLETE | 0.15µm[.000006] Δ | 3.30-4.32 [.130-.170] | 6 | | 2-5520250-3 |
| | | | 4 Δ | | 2-5520250-2 |
| OBSOLETE | 1.27µm[.000050] | 3.30-4.32 [.130-.170] | 4 Δ | | 1-5520250-1 |
| | | | 6 | | 5520250-3 |
| | | | 4 Δ | | 5520250-2 |
| | | | 2 Δ | | 5520250-1 |

THIS DRAWING IS A CONTROLLED DOCUMENT.

| | | | |
|-------------------------|--|---|--------------------|
| DIMENSIONS: mm [INCHES] | TOLERANCES UNLESS OTHERWISE SPECIFIED: | DIN 12MAY2005 | T. WOOTEN/LA.MAYER |
| 0 PLC ± - | 1 PLC ± - | 2 PLC ± 0.13[.005] | 3 PLC ± - |
| 4 PLC ± - | ANGLES ± - | CJK J.WESTMAN APVD S.FLICKINGER NAME PRODUCT SPEC 108-1163 APPLICATION SPEC 114-2048 WEIGHT 0.000000 CUSTOMER DRAWING | |

STE TE Connectivity
 MODULAR JACK ASSEMBLY, 6 POSITION, SIDE ENTRY, FLANGELESS, WITH PANEL STOPS
 SIZE: A1 CAGE CODE: 00779 DRAWING NO: 5520250
 SCALE: 4:1 SHEET 1 OF 1 REV D3