

# TW5342



The **connection** of things.®

## TW5342 Smart GNSS Antenna

### Overview

The TW5342 is a multi-constellation GNSS Receiver which provides simultaneous GPS/GLONASS/SBAS reception. It is designed for use in professional grade digital tracking/positioning applications.

The TW5342 uses a state of the art ST STA8088 receiver which provides 32 high sensitivity tracking channels plus 2 fast acquisition channels which can be assigned to acquire and track GPS, GLONASS, QZSS, and SBAS (WAAS, EGNOS, MSAS) signals simultaneously.

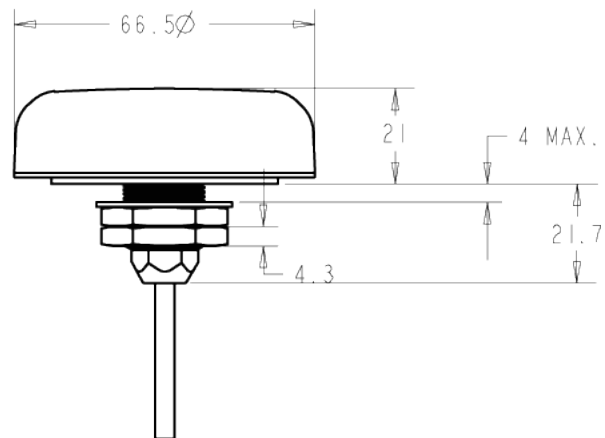
The TW5342 employs Tallysman's Accutenna™ dual feed antenna patch technology which greatly improves rejection of multi-path signal interference, making it the most precise antenna for tracking in dense urban environments.

The TW5342 output NMEA 0183 messages lists with navigation update rate of 1Hz. It has a RS232 interface, and 9V to 36 V operation for automotive applications.

Tallysman's Windows™ based Configurator enables simple configuration of parameters such as baud rates, output message rates, constellation, tracking parameters.

### Interface

The TW5342 has a 5 meter cable terminated in RJ45 connector. Adaptor cables are available to interface to for a variety of Two-Way radios, PC, etc contact Tallysman for details.



Mechanical Dimensions (mm)

### Features

- Multi-Constellation Receiver/Antenna
- 32 Channel simultaneous operation
- High performance tracking (162 dBm)
- Conditioned ignition input for Tait Radios
- 12V to 36V automotive operation
- Excellent multi-path signal rejection
- Industrial grade IP69K enclosure
- RoHS, Reach, RED compliant, CE Marking

# TW5342 Smart GNSS Antenna

## Specifications

### Antenna

Architecture .....Dual Feed  
Axial Ratio .....< 1 dB typical.  
Frequencies.....GPS / GLONASS / QZSS  
SBAS .....WAAS, EGNOS, MSAS  
Channels.....32 simultaneous plus 2 fast acquisition  
Navigation Accuracy  
GPS+GLONASS .....1.55m (50% CEP)

### Interface

Outputs.....Pwr, Gnd, Tx, Ignition sense  
Inputs .....Rx, Ignition  
RS232

### Mechanical

Dimensions .....19mm diameter (¾")  
Weight.....180 g  
Mounting Method .....Thru-Hole Mount  
Cable Length.....5 m with RJ45 termination  
Enclosure .....Industrial grade weatherproof IP67

### Electrical

Voltages .....9 V to 36 VDC  
Current .....50 mA during acquisition  
40 mA operating

### Environmental

Operating Temperature.....-40°C to +85°C  
Storage Temperature.....-45°C to +85°C  
Weatherproof .....IP69K  
Shock.....Vertical axis 50G, other axis 30G  
3 axis sweep – 15 min  
Vibration.....10-200 Hz log sweep 3G

### Sensitivity

Acquisition.....-146 dBm  
Tracking .....-162 dBm

### Time to First Fix

Cold start .....35 sec  
Warm start .....30 sec  
Hot start .....<2 sec  
Reacquisition .....<1 sec

### Serial Protocol

Output.....NMEA 0183  
Baud Rate.....Configurable  
Update Rate.....Configurable up to 10Hz  
Constellations

## Ordering Information:

33-5342-6-yy-05-ccc

yy= Radome (10= Grey low profile, 11= White low profile)

ccc = Custom Configuration (Contact Tallysman for "Custom" details e.g. configuration, radio cable type.)

e.g. PC0= NMEA out, No Adaptor cable TC3= Tait NMEA, 27-0028-0 radio cable

**TC3= Tait NMEA**

**27-0028-0 Radio Cable**

Please refer to the Ordering Guide for the current and complete list of available products.



**TALLYMATICS®**

The **connection** of things.®

Tallymatics manufactures high performance, telematics products and solutions for a wide range of applications. With support for both RF wireless and data networks, Tallymatics enables high-resolution location awareness of mobile field assets across any type of wireless network. Tallymatics is a division of Tallysman.

© 2019 Tallymatics Inc. All rights reserved. Tallymatics, "The connection of things" tag line and the Tallymatics logo are trademarks or registered trademarks of Tallymatics Inc. and/or its affiliates in Canada and certain other countries. All other trademarks mentioned in this document are the property of their respective owners. The information presented is subject to change without notice. Tallysman assumes no responsibility for any errors or omissions in this document. Tallymatics is a division of Tallysman Inc. Tallymatics hereby disclaims any or all warranties and liabilities of any kind.

**Contact us:**  
[info@tallymatics.com](mailto:info@tallymatics.com)  
**T: +1 613 591-3131**

Tallymatics Inc.  
36 Steacie Drive,  
Ottawa ON  
K2K 2A9 Canada

[www.tallymatics.com](http://www.tallymatics.com)