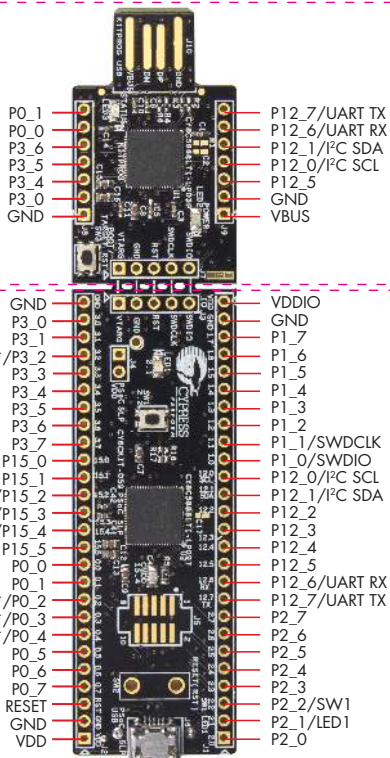
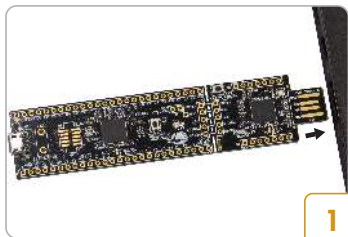


CY8CKIT-059 PSoC® 5LP PROTOTYPING KIT QUICK START GUIDE

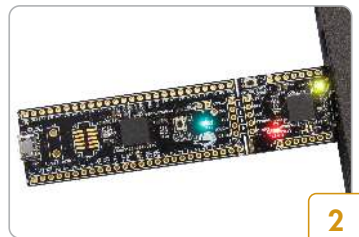
KitProg



Note: * An external capacitor is connected to this pin.



- Connect the board to your computer using the USB connector



- Amber LED indicates power on
- Green LED indicates status
- Blue LED on the board blinks



For more information on the kit, please go to the following web page:

www.cypress.com/CY8CKIT-059

Thank you for supporting PSoC®!



Design the way you think!