

PLUG

M	3	M		
J	2	J		
M	1	MI		
MFG.	SH.	REV.	LTR.	REVISIONS

DIMENSIONS SHOWN (METRIC) INCH
UNLESS OTHERWISE SPECIFIED TOLERANCES: ANGULAR ± 10°

3 PLACE	± .010	---
2 PLACE	± .014	± 0.25
1 PLACE	---	± 0.36

DRAFT WHERE APPLICABLE MUST REMAIN WITHIN DIMENSIONS

DRWG. BY: *JUS* CHK'D. BY: RW
APP'D. BY: RAS SCALE: 2 : 1

FILE NAME: S31916X1 DGN

TITLE: .093/(2.36) HOUSING PLUG AND RECEPTACLE 6 CKT. .264/(6.70) CTRS.

MOLEX INCORPORATED LISLE, ILL. 60532 U.S.A.

SHEET NO. 1 OF 3 DATE 1/25/88

PART NO. SEE CHART DRWG. NO. SD-3191-6*

THIS DRAWING CONTAINS INFORMATION THAT IS PROPRIETARY TO MOLEX INC. AND SHOULD NOT BE USED WITHOUT WRITTEN PERMISSION.

PLUG	
PART NO.	ENG. NO.
19-09-2068	3191-6P
19-09-2069	3191-6P1
19-09-2067	3191-6P-201
19-09-2066	3191-6P1-201
19-09-7069	3191-6PRD
19-09-7068	3191-6PBK

RECEPTACLE	
PART NO.	ENG. NO.
19-09-1069	3191-6R1
19-09-1066	3191-6R1-201
19-09-6060	3191-6RIRD
19-09-6069	3191-6RIBK

LEGEND:

3191-6****-*

CIRCUIT SIZE

P = PLUG

R = RECEPTACLE

EARS: BLANK = WITH PREBENT EARS (PLUG ONLY)

I = WITHOUT EARS

COLOR: BLANK = NATURAL COLOR

AM=AMBER BK=BLACK BU=BLUE

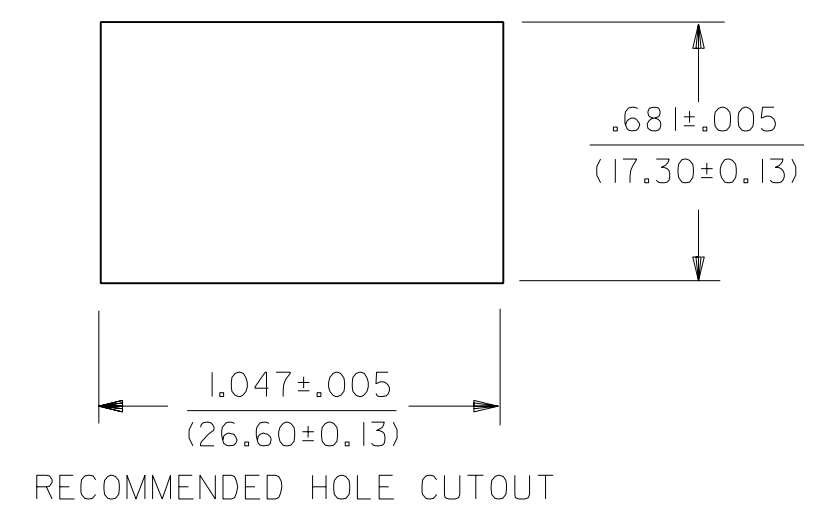
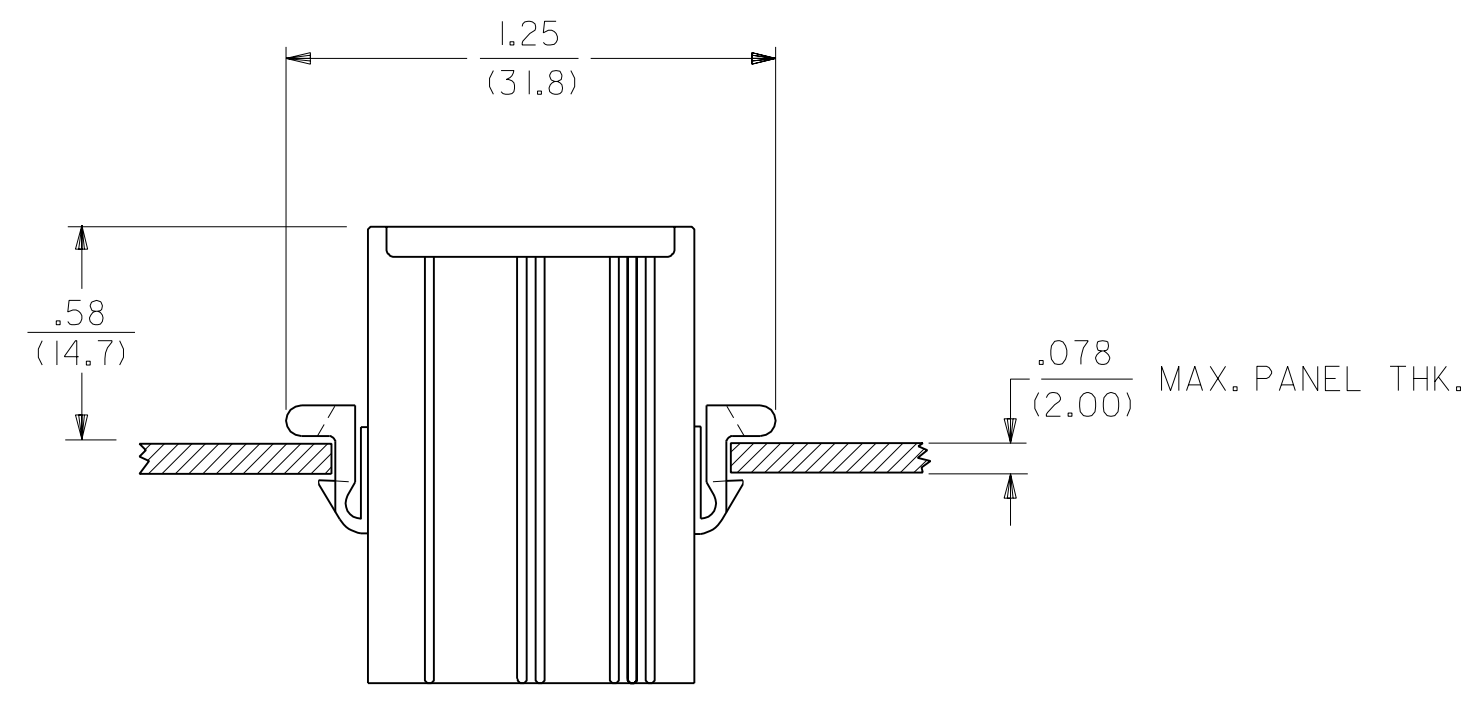
BN=BROWN GY=GRAY GN=GREEN

OR=ORANGE RD=RED YW=YELLOW

COLORS AVAILABLE ONLY IN 94V-2 MATERIAL

MATERIAL: BLANK=NYLON TYPE 6/6, 94V-2

201=NYLON TYPE 6/6, 94V-0



MOUNTING HOLE DETAIL

DIMENSIONS SHOWN (METRIC) INCH		▽ =	▼ =	REVISE ONLY ON CAD SYSTEM												
UNLESS OTHERWISE SPECIFIED TOLERANCES: ANGULAR ± 10°		TITLE														
<table border="1"> <thead> <tr> <th></th> <th>INCH</th> <th>METRIC</th> </tr> </thead> <tbody> <tr> <td>3 PLACE</td> <td>± .010</td> <td>---</td> </tr> <tr> <td>2 PLACE</td> <td>± .014</td> <td>± 0.25</td> </tr> <tr> <td>1 PLACE</td> <td>---</td> <td>± 0.36</td> </tr> </tbody> </table>			INCH	METRIC	3 PLACE	± .010	---	2 PLACE	± .014	± 0.25	1 PLACE	---	± 0.36	.093/(2.36) HOUSINGS PLUG AND RECEPTACLE 6 CKT., .264/(6.70) CTRS.		
	INCH	METRIC														
3 PLACE	± .010	---														
2 PLACE	± .014	± 0.25														
1 PLACE	---	± 0.36														
DRAFT WHERE APPLICABLE MUST REMAIN WITHIN DIMENSIONS		MOLEX INCORPORATED LITLLE, ILL. 60532 U.S.A.														
<table border="1"> <tr> <td>DRWG. BY</td> <td>JJS</td> <td>CHK'D. BY</td> <td>RW</td> </tr> <tr> <td>APP'D. BY</td> <td>RAS</td> <td>SCALE</td> <td>---:---</td> </tr> </table>		DRWG. BY	JJS	CHK'D. BY	RW	APP'D. BY	RAS	SCALE	---:---	SHEET NO. 3		DATE 1/22/88				
DRWG. BY	JJS	CHK'D. BY	RW													
APP'D. BY	RAS	SCALE	---:---													
LTR. REVISIONS		SEE CHART		SD-3191-6*												
LTR. REVISIONS		THIS DRAWING CONTAINS INFORMATION THAT IS PROPRIETARY TO MOLEX INC. AND SHOULD NOT BE USED WITHOUT WRITTEN PERMISSION.		DIV. CP												

3191

A