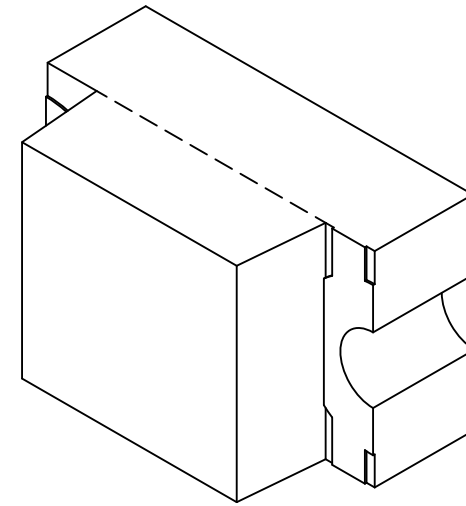
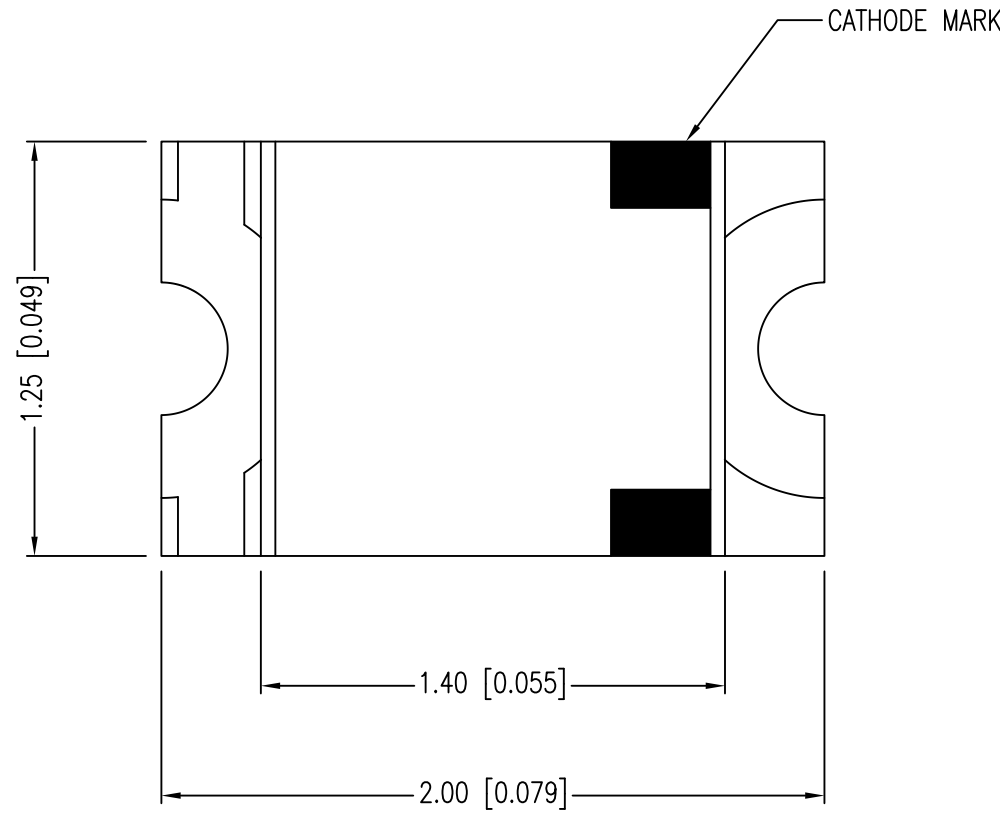
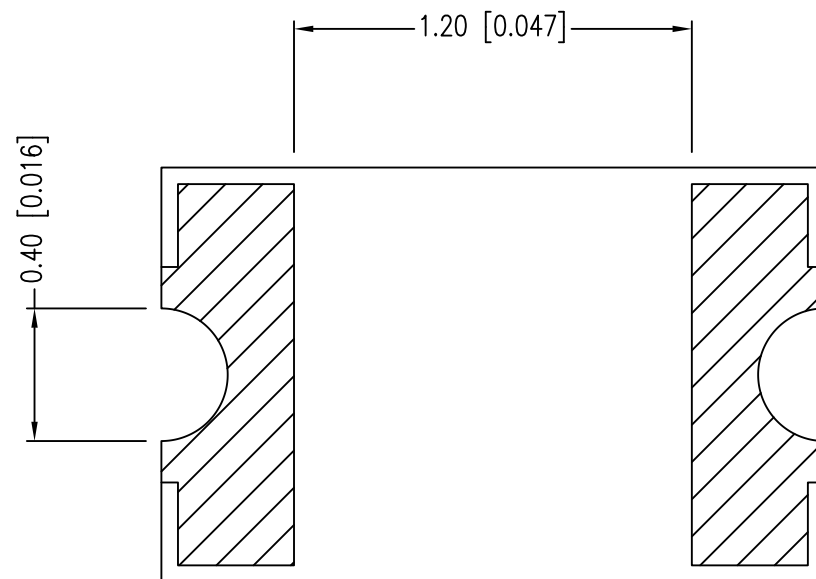
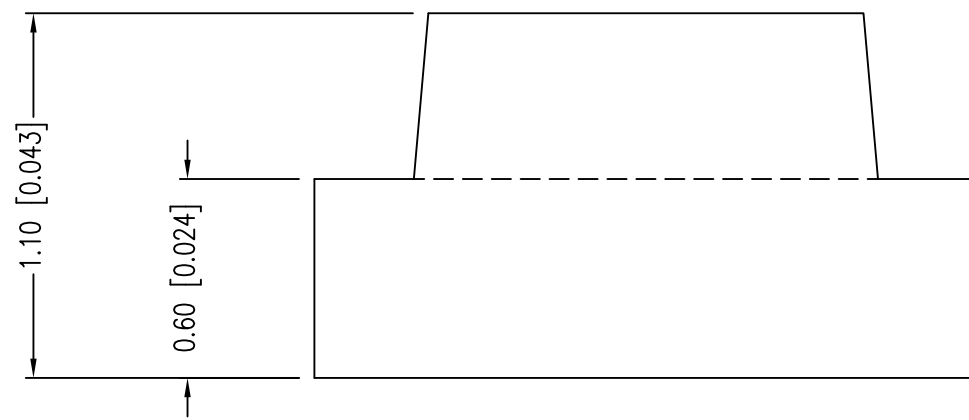


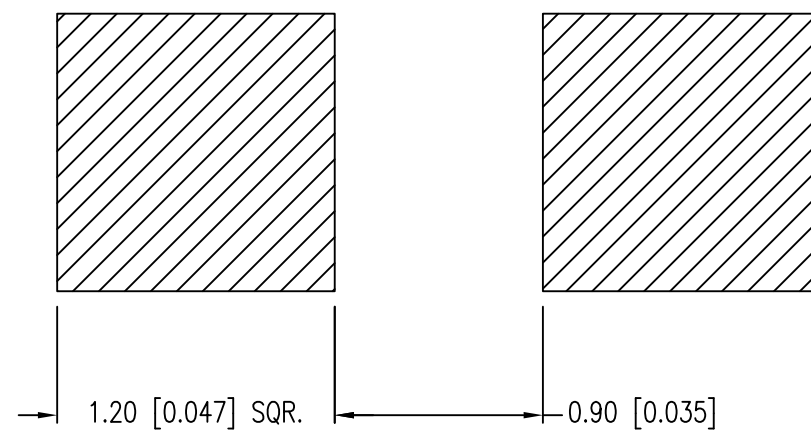
PART NUMBER	SML-LX0805UWC-TR	REV.	G
DATE	E.C.N. NUMBER AND REVISION COMMENTS	REV.	
05.09.02	E.C.N. #10862.	A	
03.14.03	E.C.N. #10967.	B	
01.17.05	E.C.N. #11148.	C	
03.06.09	E.C.N. #11508.	D	
05.07.12	E.C.N. #10BRDR. & REDRAWN.	E	
08.25.14	E.C.N. #11917.	F	
11.06.18	ECN-Lumex201800168	G	



ANODE CATHODE



RECOMMENDED SOLDER PAD LAYOUT



ELECTRO-OPTICAL CHARACTERISTICS Ta=25°C If=350mA					
PARAMETER	MIN	TYP	MAX	UNITS	TEST COND
FORWARD VOLTAGE		2.9	3.6	Vf	If=20mA
REVERSE VOLTAGE	5.0			Vr	Ir=10µA
AXIAL INTENSITY*	112		360	mcd	If=20mA
VIEWING ANGLE		120		2x theta 1/2	
EMITTED COLOR:	WHITE				
LENS FINISH:	YELLOW DIFFUSED				

LIMITS OF SAFE OPERATION AT 25°C			
PARAMETER	SYMBOL	MAX	UNITS
PULSE FORWARD CURRENT	Ip	100	mA
STEADY CURRENT	If	25	mA
POWER DISSIPATION	Id	95	mW
OPERATING TEMP.	ToPR	-40 TO +85	°C
STORAGE TEMP.	Sstg	-40 TO +90	°C

*DUTY 1/10 PULSE WIDTH 10ms

CAUTION: MOISTURE SENSITIVE DEVICE
PER JEDEC LEVEL 3 STANDARDS

CAUTION: STATIC SENSITIVE DEVICE
FOLLOW PROPER E.S.D. HANDLING PROCEDURES
WHEN WORKING WITH THIS PART.

*UNLESS OTHERWISE SPECIFIED TOLERANCES PER DECIMAL PRECISION ARE: X=±1 (±0.039), X.X=±0.5 (±0.020), X.XX=±0.25 (±0.010), X.XXX=±0.127 (±0.005). LEAD SIZE=±0.05 (±0.002), LEAD LENGTH=±0.75 (±0.030). MIN= ^{+0.00} -0.00 DECIMAL PRECISION MAX.= ^{+0.00} -0.00 DECIMAL PRECISION



425 N. GARY AVE.
CAROL STREAM, IL 60188-4900
PHONE: 800-278-5666
FAX: 630-315-2152
WEB: WWW.LUMEX.COM

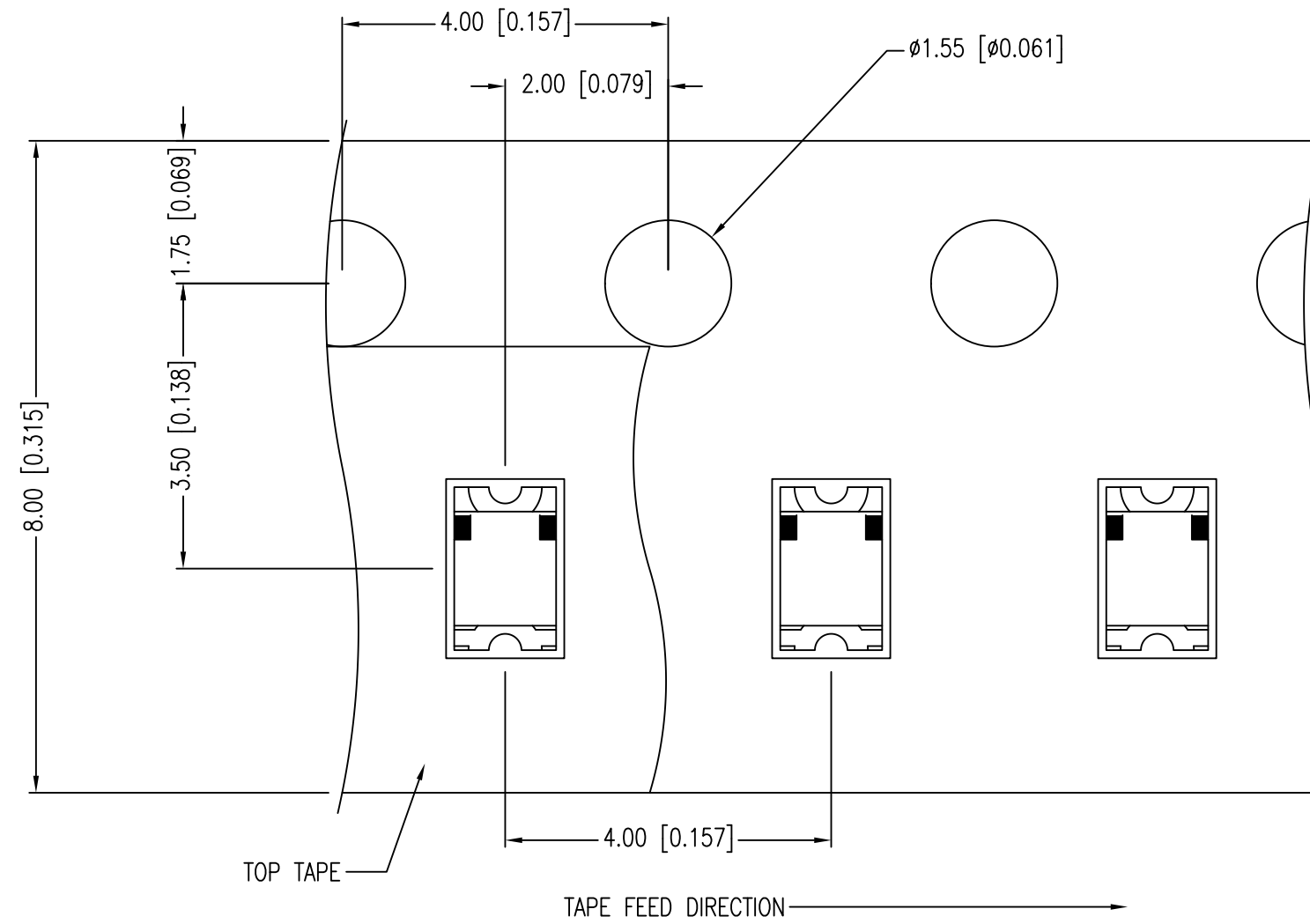
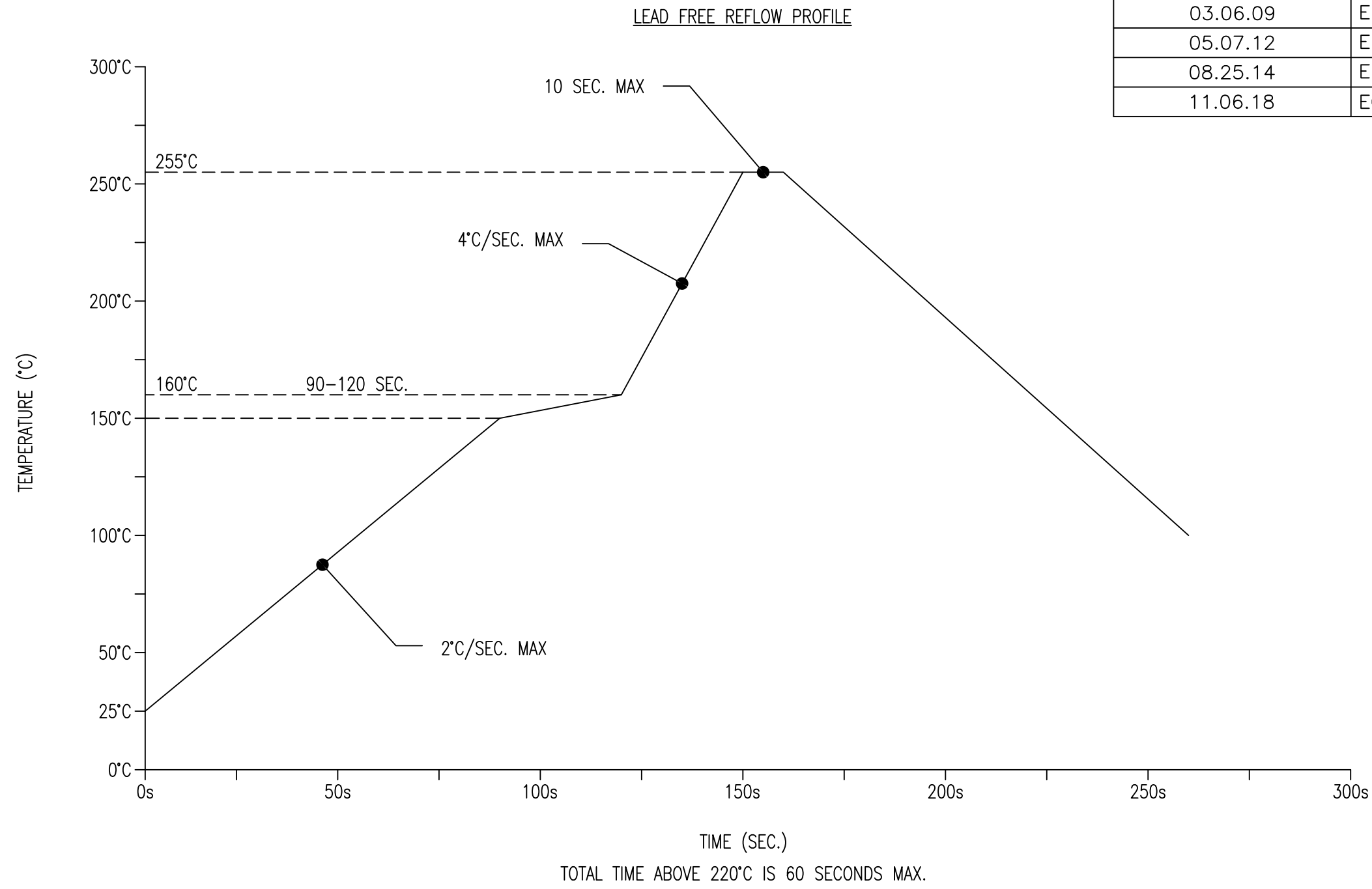
2.0mm x 1.25mm PCB SURFACE MOUNT, WHITE, YELLOW DIFFUSED, TAPE & REEL.

THE SPECIFICATIONS MAY CHANGE AT ANY TIME WITHOUT NOTICE.

CONFIDENTIAL INFORMATION
THE INFORMATION CONTAINED IN THIS DOCUMENT IS THE PROPERTY OF LUMEX INC. EXCEPT AS SPECIFICALLY AUTHORIZED IN WRITING BY LUMEX INC., THE HOLDER OF THIS DOCUMENT SHALL KEEP ALL INFORMATION CONTAINED HEREIN CONFIDENTIAL AND SHALL PROTECT SAME IN WHOLE OR IN PART FROM DISCLOSURE AND DISSEMINATION TO ALL THIRD PARTIES.

DATE:	11.06.18	DRAWN BY:	C.S.
PAGE:	1 OF 2	CHKD BY:	E.C.
SCALE:	NTS	APRVD BY:	G.Y.
UNIT:	mm [INCH]		

PART NUMBER	SML-LX0805UWC-TR	REV.	G
DATE	E.C.N. NUMBER AND REVISION COMMENTS	REV.	
05.09.02	E.C.N. #10862.	A	
03.14.03	E.C.N. #10967.	B	
01.17.05	E.C.N. #11148.	C	
03.06.09	E.C.N. #11508.	D	
05.07.12	E.C.N. #10BRDR. & REDRAWN.	E	
08.25.14	E.C.N. #11917.	F	
11.06.18	ECN-Lumex201800168	G	



NOTES:

1. POLARITY MARK IS ORIENTED TOWARDS TAPE SPROCKET HOLE.

*UNLESS OTHERWISE SPECIFIED TOLERANCES PER DECIMAL PRECISION ARE: X=±1 (±0.039), X.X=±0.5 (±0.020), X.XX=±0.25 (±0.010), X.XXX=±0.127 (±0.005). LEAD SIZE=±0.05 (±0.002), LEAD LENGTH=±0.75 (±0.030). MIN= $\frac{+DECIMAL PRECISION}{-0.00}$ MAX.= $\frac{+0.00}{-DECIMAL PRECISION}$



425 N. GARY AVE.
CAROL STREAM, IL 60188-4900
PHONE: 800-278-5666
FAX: 630-315-2152
WEB: WWW.LUMEX.COM

2.0mm x 1.25mm PCB SURFACE MOUNT, WHITE, YELLOW DIFFUSED, TAPE & REEL.

THE SPECIFICATIONS MAY CHANGE AT ANY TIME WITHOUT NOTICE.

CONFIDENTIAL INFORMATION

THE INFORMATION CONTAINED IN THIS DOCUMENT IS THE PROPERTY OF LUMEX INC. EXCEPT AS SPECIFICALLY AUTHORIZED IN WRITING BY LUMEX INC., THE HOLDER OF THIS DOCUMENT SHALL KEEP ALL INFORMATION CONTAINED HEREIN CONFIDENTIAL AND SHALL PROTECT SAME IN WHOLE OR IN PART FROM DISCLOSURE AND DISSEMINATION TO ALL THIRD PARTIES.

DATE:	11.06.18	DRAWN BY:	C.S.
PAGE:	2 OF 2	CHKD BY:	E.C.
SCALE:	NTS	APRVD BY:	G.Y.
UNIT:	mm [INCH]		(Pb)