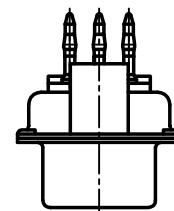
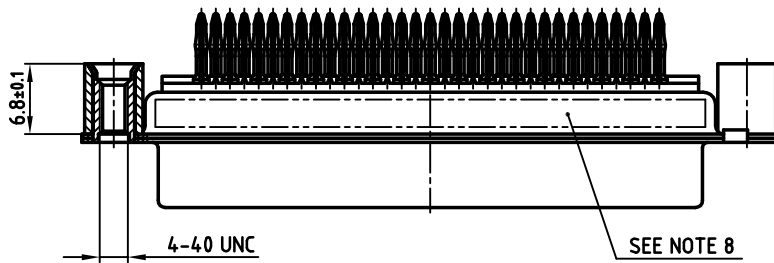
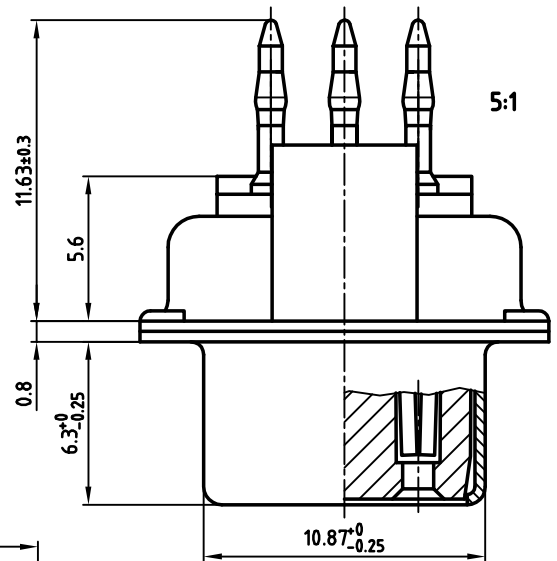
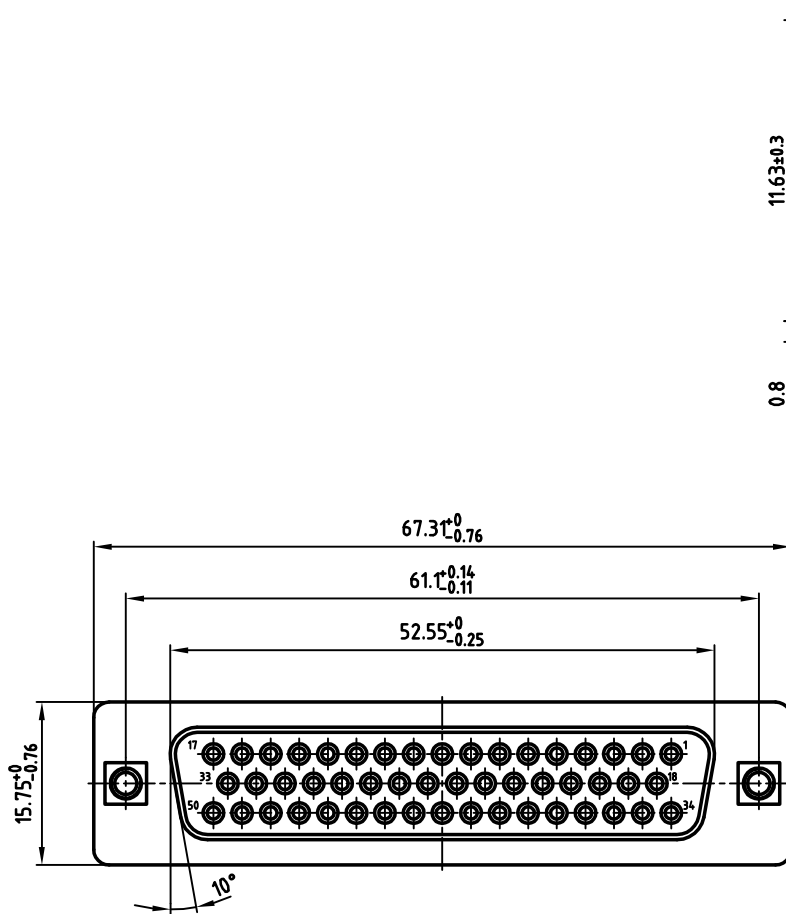


used for: D-SUB



**CONNECTOR SHOULD BE FIXED WITH SCREWS TO THE P.C.B.**

**NOTES:**

1. METALSHELLS: STEEL; min. 315µin TIN OVER 40-80µin NICKEL
2. INSULATORS: PBT GF UL 94 V-0, BLACK
3. PRESS-FIT CONTACTS: COPPER ALLOY  
PLATING-MATING SIDE+REAR SIDE:  
8µin HARD GOLD OVER min. 50µin NICKEL  
P.C.B. THICKNESS: min. 2.2mm
4. THREADED REAR SPACER: COPPER ALLOY; min. 200µin TIN OVER 80µin NICKEL
5. SLEEVE: COPPER ALLOY; min. 200µin TIN OVER 80µin NICKEL
6. P.C.B. HOLE DRILLINGS ON SHEET 2
7. MAXIMUM TORQUE VALUE FOR THREAD: 6 in.LB
8. CONNECTOR IS PART MARKED: DSS5XSFAA48B CONEC ABC

Directive 2002/95/EC  
RoHS-Compliant

APPROVAL * FREIGABE * DEBLOCAGE * AUTORIZACION * APPROVAL	
CUSTOMER APPROVAL DATE:	
NAME:	TITLE:
COMPANY NAME:	
APPROVAL * FREIGABE * DEBLOCAGE * AUTORIZACION * APPROVAL	

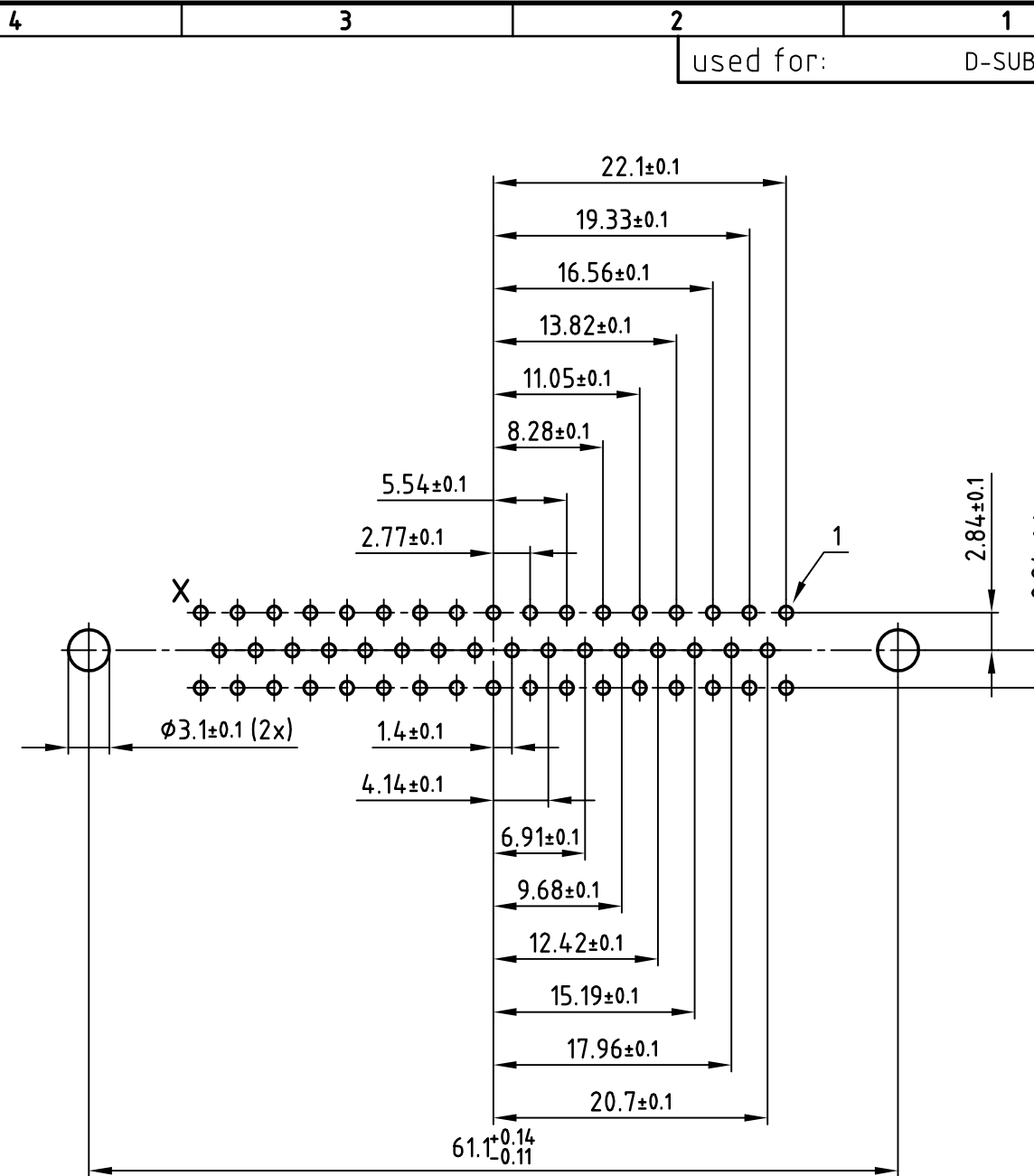
THIS DRAWING MAY NOT BE COPIED OR REPRODUCED IN ANY WAY, AND MAY NOT BE PASSED ON TO A THIRD PARTY, WITHOUT WRITTEN PERMISSION.  
OWNERSHIP AND COPYRIGHT OF CONEC GmbH  
**DO NOT ALTER CAD DRAWING BY HAND**

rev.	description	date	name
a	Origin		

tolerance		dim. in mm
2007	date	
drawn	22.01.	name
appd.	22.01.	Lehmenkühler
norm		
d-old		

scale:	2:1 (5:1)	
material:	SEE NOTES	
title:	<b>D-SUB FEMALE</b> 50pos. PRESSFIT TYPE with threaded rear spacer	
dwg no:	AutoCAD 2006	DIN-A
	16K1A1964	3
part no:	DSS5XSFAA48B	
		sh:1/2





Tin thickness  
15µm (600µ") maximum

Copper thickness  
25µm (1000µ") minimum

X 5:1

Finished hole  
 $\phi 1^{+0.09}_{-0.06}$  (50x)

APPROVAL # FREIGABE # DEBLOCAGE # AUTORIZACION # APPROVAL	
CUSTOMER APPROVAL DATE:	
NAME:	TITLE:
COMPANY NAME:	
APPROVAL # FREIGABE # DEBLOCAGE # AUTORIZACION # APPROVAL	

THIS DRAWING MAY NOT BE COPIED OR REPRODUCED IN ANY WAY, AND MAY NOT BE PASSED ON TO A THIRD PARTY WITHOUT WRITTEN PERMISSION.  
 OWNERSHIP AND COPYRIGHT OF CONEC GmbH  
 DO NOT ALTER CAD DRAWING BY HAND

tolerance			scale: 2:1 (5:1)	
dim. in mm			material: SEE SHEET 1	
2007	date	name	title: <b>P.C.B. HOLE DRILLINGS</b> D-SUB FEMALE 50pos. PRESS-FIT TYPE with threaded rear spacer	
drawn	22.01.	Schwenkler		
appd.	22.01.	Lehmenkühler		
norm				
d-old				
a	Origin		dwg no: AutoCAD 2006	
rev.	description	date	name	DIN-A 4



16K1A1964

part no: SEE SHEET 1

sh:2/2