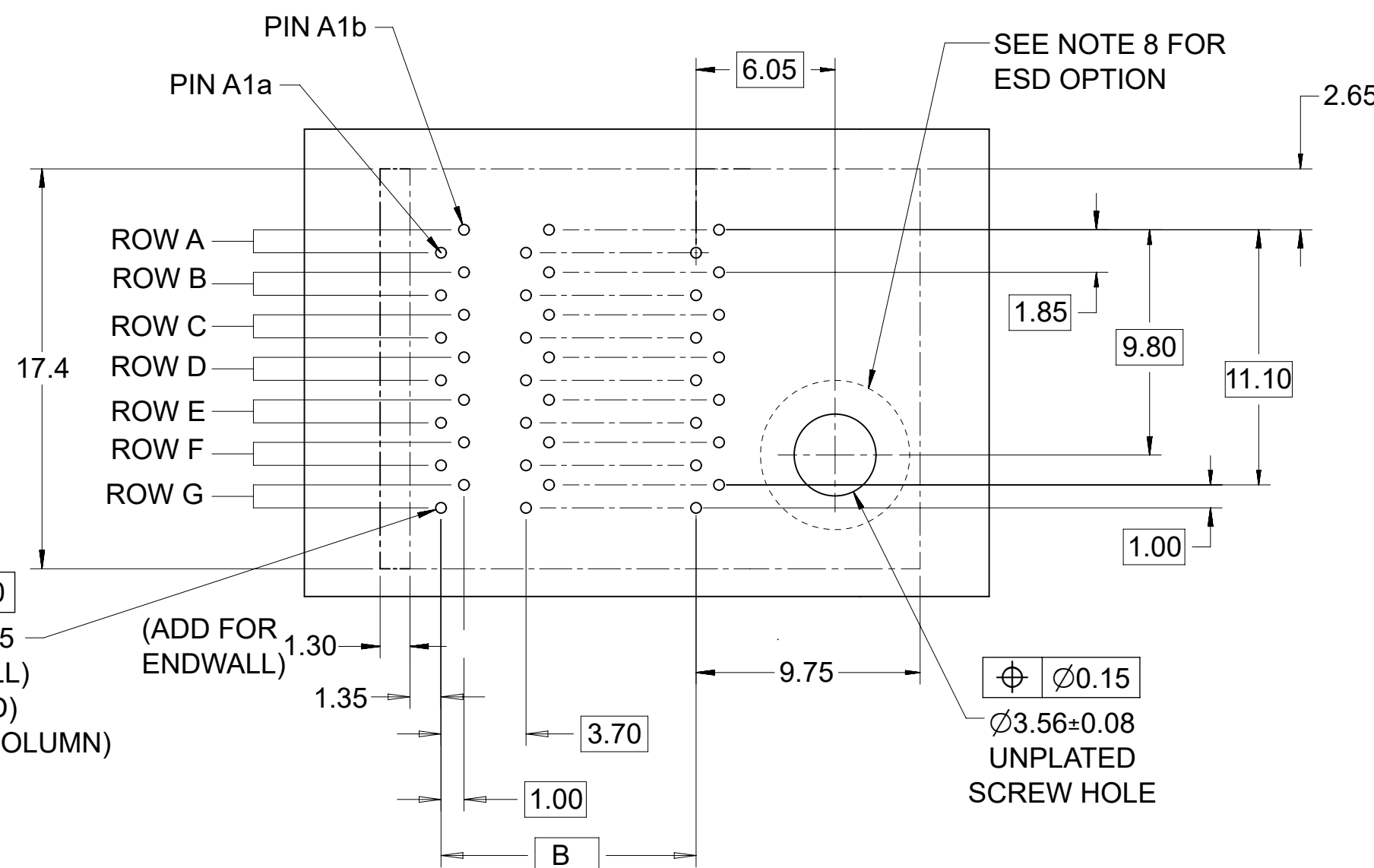
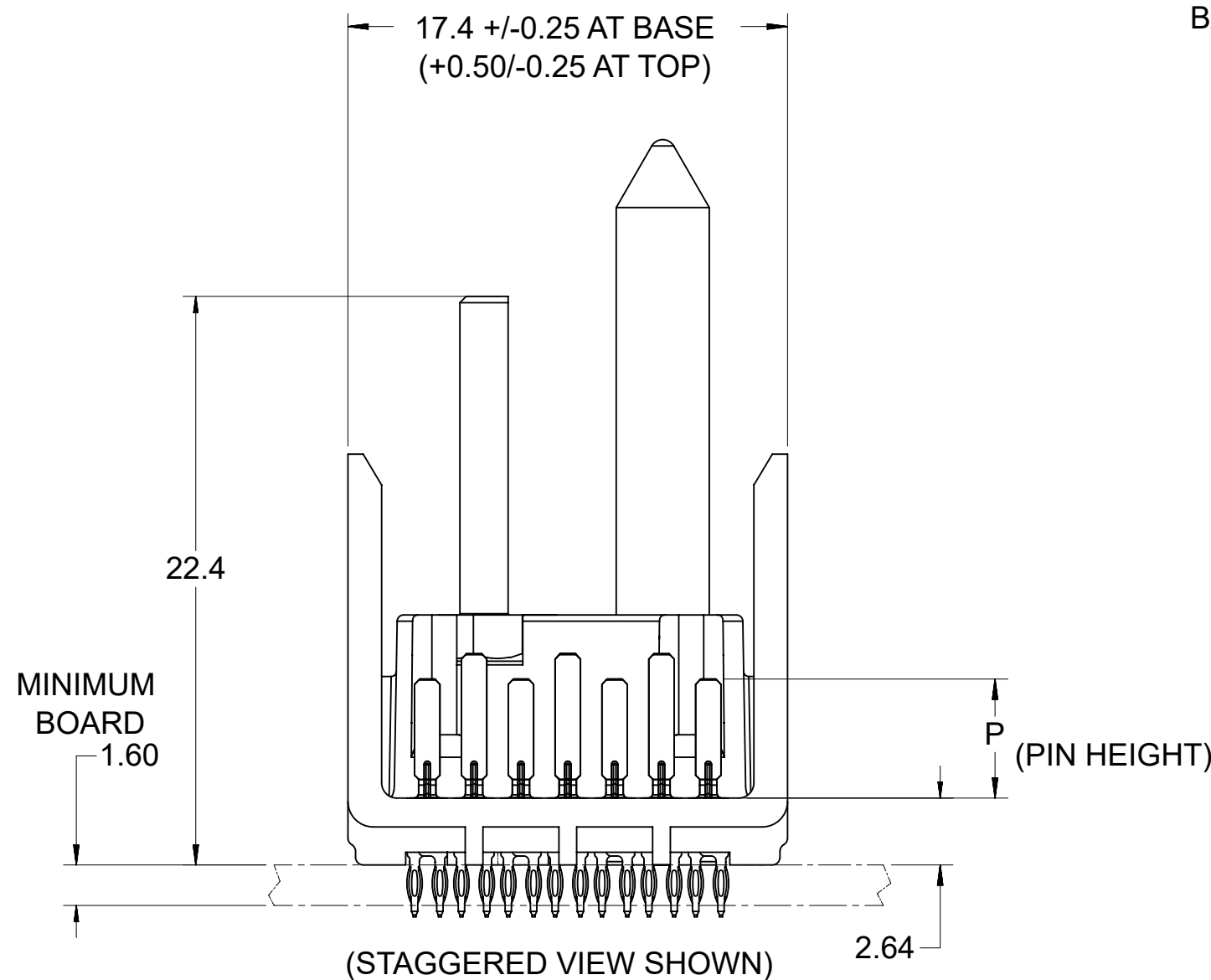
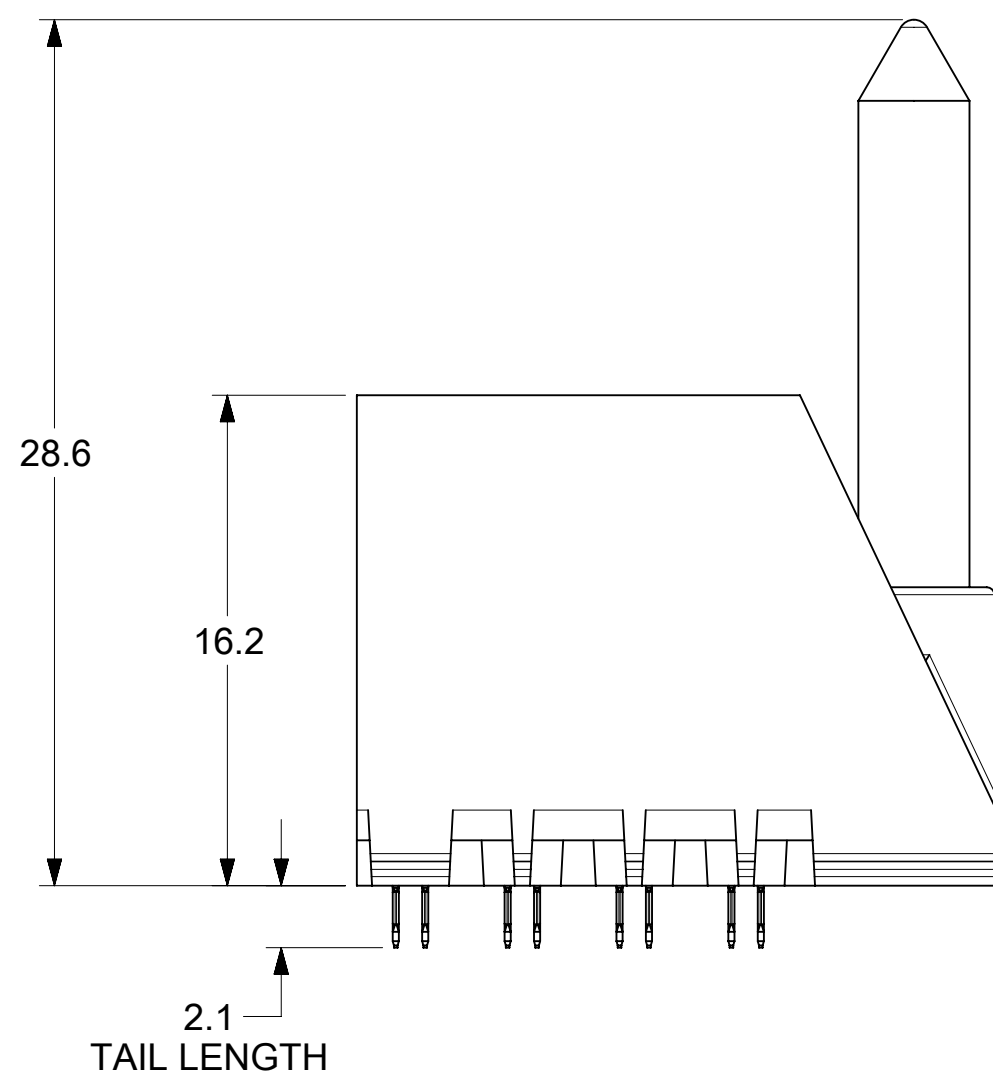
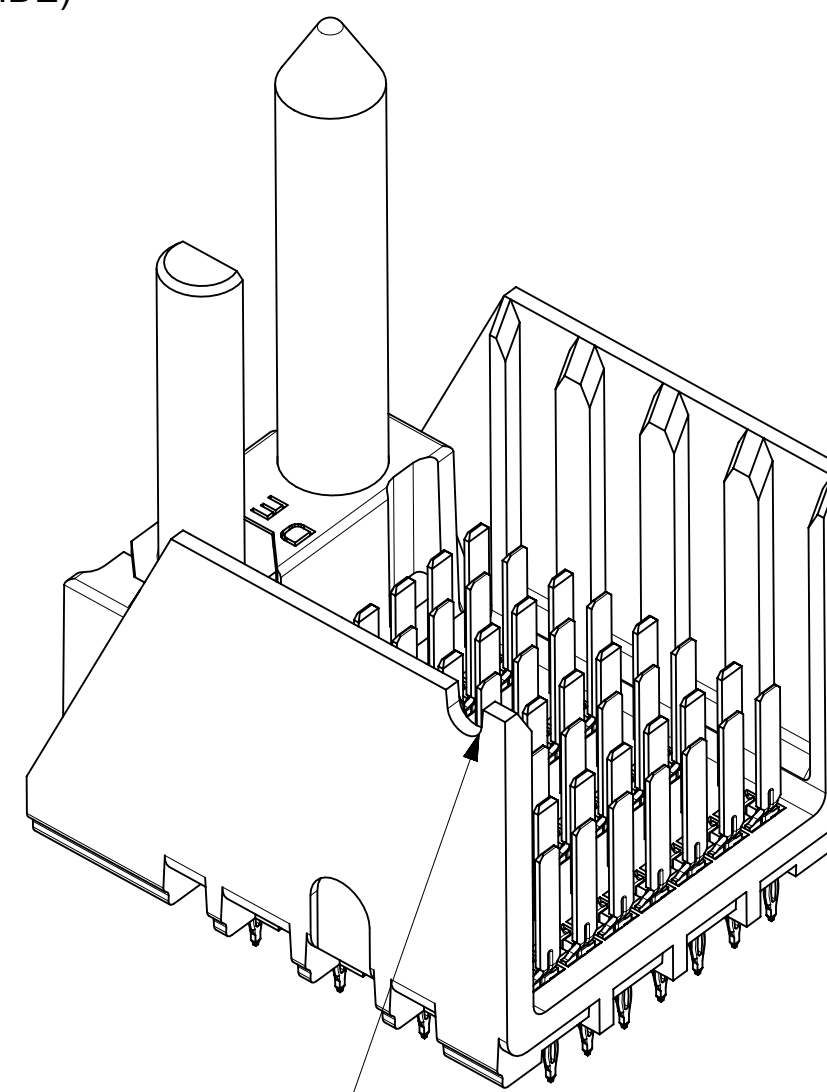


KEY SHOWN IN POSITION "E"



BACKPLANE HOLE PATTERN (CONNECTOR SIDE)



NOTCH DESIGNATES ROW A

| | | | | | | | | | | | |
|---|--|------------------------|--|--|--|----------------|--|--------------------------------|--|------------|--|
| THIS DRAWING CONTAINS INFORMATION THAT IS PROPRIETARY TO MOLEX ELECTRONIC TECHNOLOGIES, LLC AND SHOULD NOT BE USED WITHOUT WRITTEN PERMISSION | | | | | | | | | | | |
| DIMENSION UNITS | | SCALE | | CURRENT REV DESC: REMASTERED TO NX | | | | | | | |
| mm | | NTS | | <p>I-TRAC BACKPLANE 7 ROW GUIDE RIGHT ASSEMBLY SALES DRAWING</p> <p>PRODUCT CUSTOMER DRAWING</p> | | | | | | | |
| GENERAL TOLERANCES (UNLESS SPECIFIED) | | | | | | | | | | | |
| ANGULAR TOL ± 0.5° | | | | | | | | | | | |
| 4 PLACES ± | | EC NO: 671119 | | | | | | | | 2021/07/08 | |
| 3 PLACES ± | | DRWN: YOGEEB | | | | | | | | 2022/02/03 | |
| 2 PLACES ± 0.13 | | CHK'D: VINODM3 | | 2022/02/18 | | | | | | | |
| 1 PLACE ± 0.25 | | APPR: CWANG25 | | INITIAL REVISION: | | | | | | | |
| 0 PLACES ± | | DRWN: BPISZCZOR | | 2007/02/08 | | | | | | | |
| DRAFT WHERE APPLICABLE MUST REMAIN WITHIN DIMENSIONS | | THIRD ANGLE PROJECTION | | DRAWING | | SERIES | | DOCUMENT NUMBER | | | |
| | | | | C-SIZE | | 76015 | | SD-76015-004 | | | |
| | | | | MATERIAL NUMBER | | CUSTOMER | | DOC TYPE DOC PART REVISION | | | |
| | | | | SEE TABLE | | GENERAL MARKET | | PSD 001 G1 | | | |
| | | | | SHEET NUMBER | | | | 1 OF 4 | | | |

76015-****

MODULE TYPE -- TAIL PLATING TYPE
 GUIDE RIGHT -- TIN ONLY = 4 (PREVIOUSLY TIN/LEAD)
 GUIDE RIGHT -- TIN ONLY = 5
 GUIDE RIGHT W/END -- TIN ONLY = 8 (PREVIOUSLY TIN/LEAD)
 GUIDE RIGHT W/END -- TIN ONLY = 9

OF COLUMNS
 4 = 4 COL
 6 = 6 COL
 1 = 10 COL

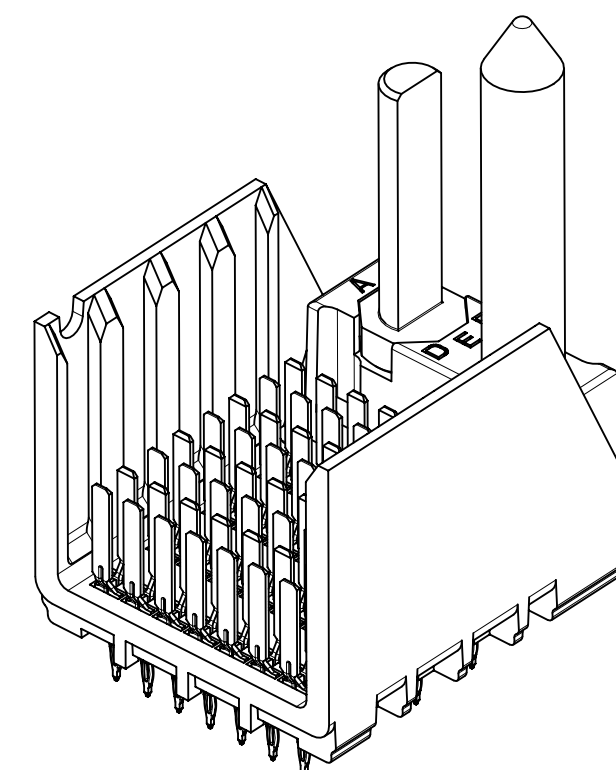
KEY ORIENTATION
 0 = NO KEY
 1 = A
 2 = B
 3 = C
 4 = D
 5 = E
 6 = F
 7 = G
 8 = H

PIN LENGTH (P)
 2 = 3.90 - 30 GOLD
 3 = 4.70 - 30 GOLD
 4 = 5.70 - 30 GOLD
 5 = 4.70 & 5.70 - 30 GOLD STAGGERED
 6 = 3.90 - 10 GOLD
 7 = 4.70 - 10 GOLD
 8 = 5.70 - 10 GOLD
 9 = 4.70 & 5.70 - 10 GOLD STAGGERED

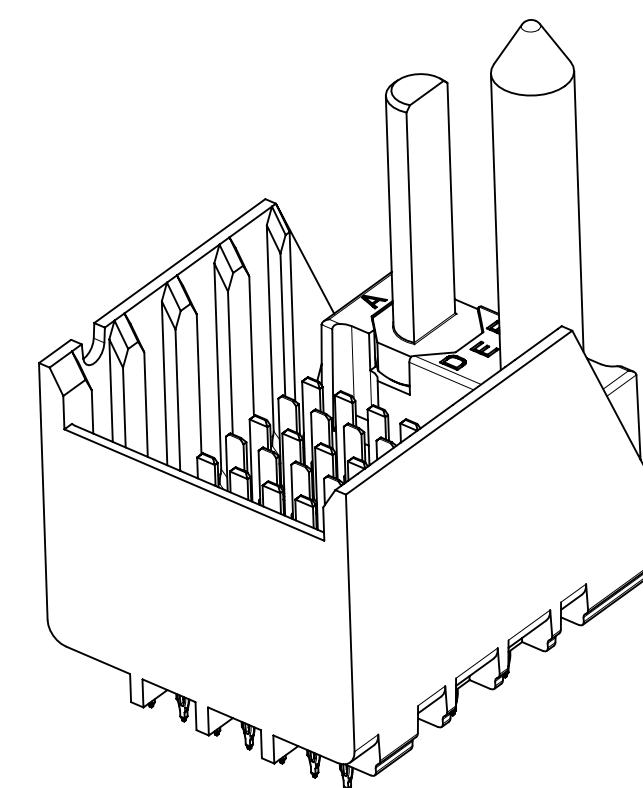
| MATERIAL NUMBER | # OF COLUMNS | DIM "A" | DIM "B" |
|-----------------|--------------|---------|---------|
| 76015-4** | 4 | 21.1 | 11.10 |
| 76015-6** | 6 | 28.5 | 18.50 |
| 76015-1** | 10 | 43.3 | 33.30 |

| MATERIAL NUMBER | # OF COLUMNS | DIM "A" | DIM "B" |
|-----------------|--------------|---------|---------|
| 76015-4** | 4 | 22.4 | 11.10 |
| 76015-6** | 6 | 29.8 | 18.50 |
| 76015-1** | 10 | 44.6 | 33.30 |

GUIDE RIGHT STYLE



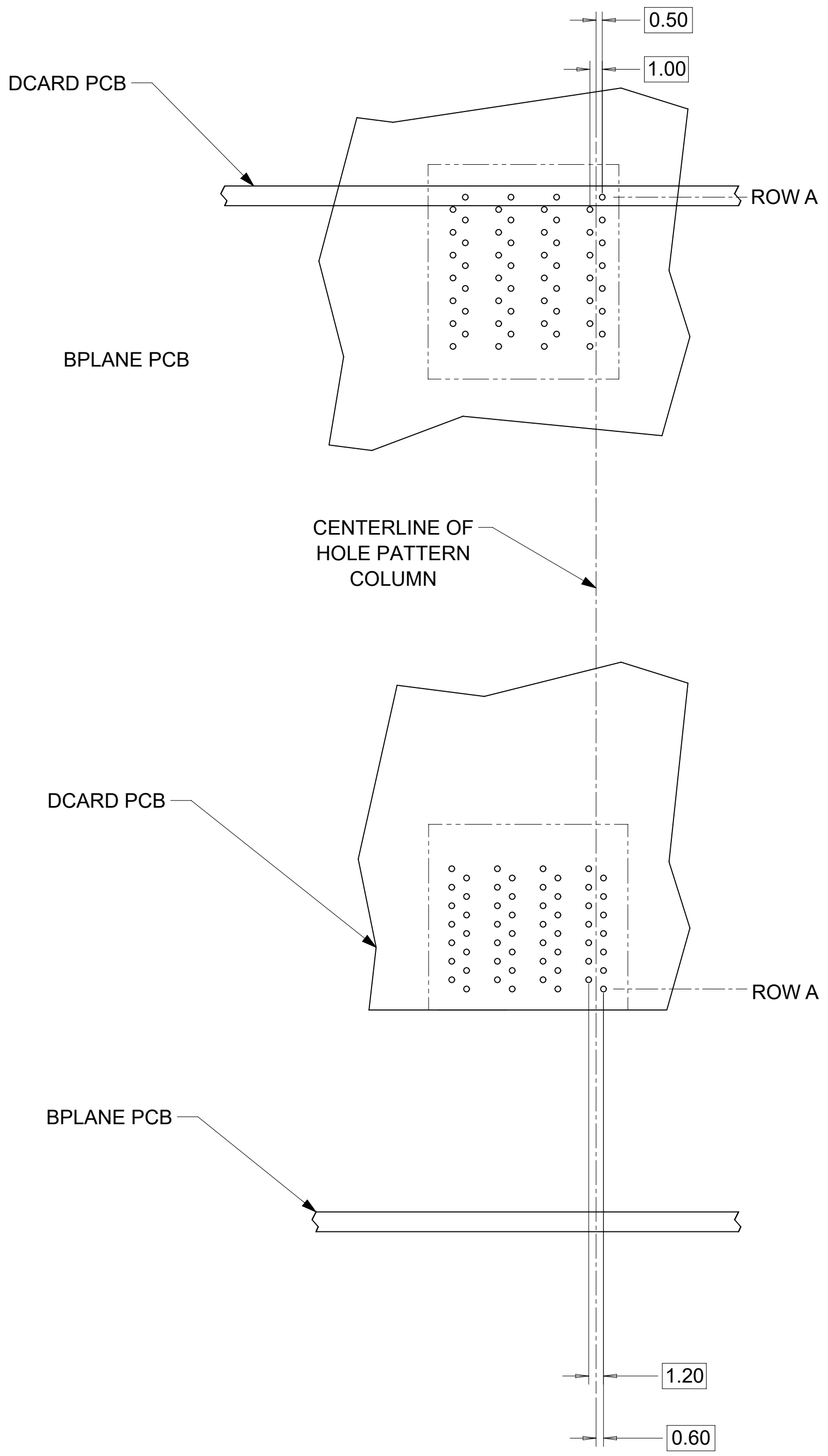
GUIDE RIGHT W/END STYLE



NOTES:

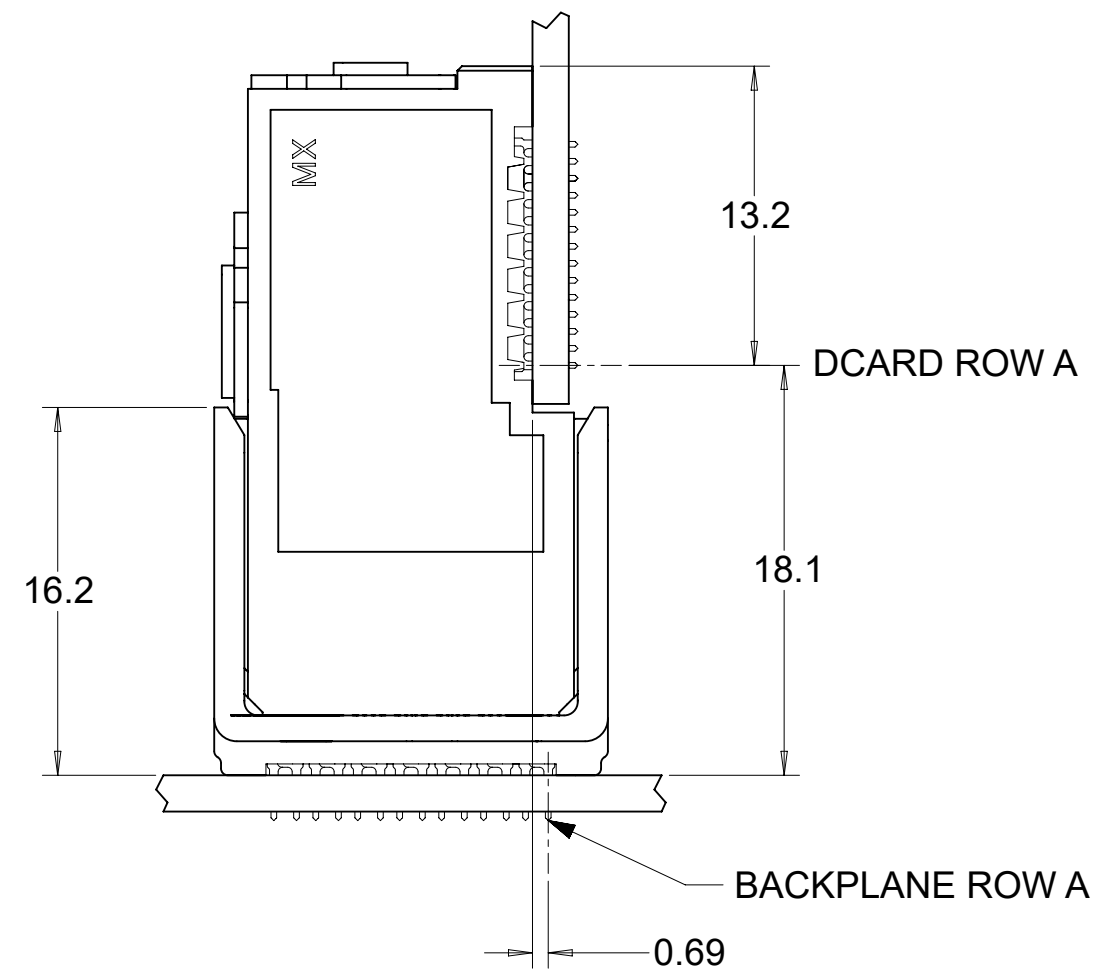
- MATERIALS: HOUSING - LIQUID CRYSTAL POLYMER (LCP)
GLASS-FILLED, UL94V-0
TERMINALS - HIGH PERFORMANCE COPPER ALLOY
- FINISH: 10 MICROINCH MINIMUM GOLD OR 30 MICROINCH MINIMUM GOLD
IN CONTACT AREA. SELECTIVE MATTE TIN ON PCB TAILS,
NICKEL OVERALL.
- REFER TO MOLEX PRODUCT SPECIFICATION PS-75710-999
FOR PERFORMANCE SPECIFICATIONS.
- FOR MIXED CONTACT MATING LENGTHS, CONSULT MOLEX
FOR AVAILABILITY.
- THIS PART CONFORMS TO CLASS B REQUIREMENTS OF
COSMETIC SPEC PS-45499-002.
- PACKAGE PER: PK-70873-802.
- GUIDED PARTS TO BE SHIPPED WITH 2-56 UNC B SCREW P/N 73774-1000.
- FOR GROUNDED GUIDE PINS USE DIA 3.56 +/-0.08 (PTH),
DIA 3.66 (DRILL), AND DIA 6.5 (PAD).
- REFER TO PCB ROUTING GUIDE FOR ANTI-PAD AND ROUTING RECOMMENDATIONS.

| | | | | | | | | | |
|---|--|---------------------------|--|--|--|--------|--|-----------------|--|
| THIS DRAWING CONTAINS INFORMATION THAT IS PROPRIETARY TO MOLEX ELECTRONIC TECHNOLOGIES, LLC AND SHOULD NOT BE USED WITHOUT WRITTEN PERMISSION | | | | | | | | | |
| DIMENSION UNITS | | SCALE | | CURRENT REV DESC: REMASTERED TO NX | | | | | |
| mm | | NTS | | <p>I-TRAC BACKPLANE 7 ROW GUIDE RIGHT ASSEMBLY SALES DRAWING</p> <p>PRODUCT CUSTOMER DRAWING</p> | | | | | |
| GENERAL TOLERANCES (UNLESS SPECIFIED) | | | | | | | | | |
| ANGULAR TOL ± 0.5° | | | | | | | | | |
| 4 PLACES ± | | EC NO: 671119 | | | | | | | |
| 3 PLACES ± | | DRWN: YOGEEB 2021/07/08 | | | | | | | |
| 2 PLACES ± 0.13 | | CHK'D: VINODM3 2022/02/03 | | | | | | | |
| 1 PLACE ± 0.25 | | APPR: CWANG25 2022/02/18 | | | | | | | |
| 0 PLACES ± | | INITIAL REVISION: | | DOCUMENT NUMBER | | | | | |
| DRAFT WHERE APPLICABLE MUST REMAIN WITHIN DIMENSIONS | | THIRD ANGLE PROJECTION | | DRAWING | | SERIES | | MATERIAL NUMBER | |
| | | | | C-SIZE | | 76015 | | SEE TABLE | |
| | | | | | | | | CUSTOMER | |
| | | | | | | | | GENERAL MARKET | |
| | | | | | | | | SHEET NUMBER | |
| | | | | | | | | 2 OF 4 | |

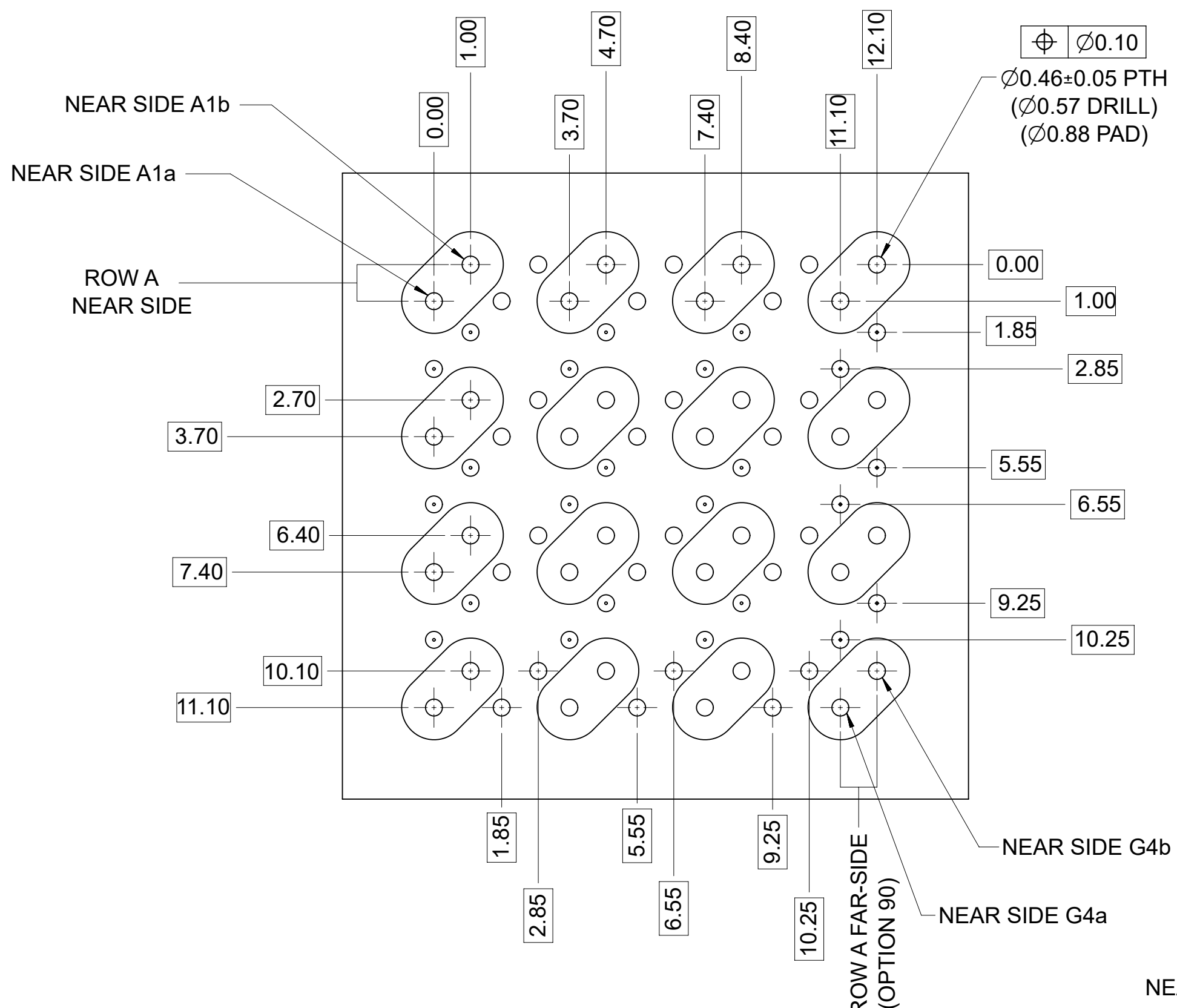


7 ROW I-TRAC BOARD RELATIONSHIPS

SCALE 2:1



| | | | | | | | | | |
|---|--|------------------------|--|------------------------------------|--|----------------|--|-----------------|--|
| THIS DRAWING CONTAINS INFORMATION THAT IS PROPRIETARY TO MOLEX ELECTRONIC TECHNOLOGIES, LLC AND SHOULD NOT BE USED WITHOUT WRITTEN PERMISSION | | | | | | | | | |
| DIMENSION UNITS | | SCALE | | CURRENT REV DESC: REMASTERED TO NX | | | | | |
| mm | | NTS | | | | | | | |
| GENERAL TOLERANCES (UNLESS SPECIFIED) | | | | | | | | | |
| ANGULAR TOL | | ± 0.5° | | EC NO: 671119 | | 2021/07/08 | | DOCUMENT NUMBER | |
| 4 PLACES | | ± | | DRWN: YOGEEB | | 2022/02/03 | | SD-76015-004 | |
| 3 PLACES | | ± | | CHK'D: VINODM3 | | 2022/02/18 | | DOC TYPE | |
| 2 PLACES | | ± 0.13 | | APPR: CWANG25 | | 2022/02/18 | | DOC PART | |
| 1 PLACE | | ± 0.25 | | INITIAL REVISION: | | 2007/02/08 | | REVISION | |
| 0 PLACES | | ± | | DRWN: BPISZCZOR | | 2007/02/09 | | G1 | |
| DRAFT WHERE APPLICABLE MUST REMAIN WITHIN DIMENSIONS | | THIRD ANGLE PROJECTION | | DRAWING | | SERIES | | MATERIAL NUMBER | |
| | | | | C-SIZE | | 76015 | | SEE TABLE | |
| | | | | CUSTOMER | | GENERAL MARKET | | SHEET NUMBER | |
| | | | | | | | | 3 OF 4 | |

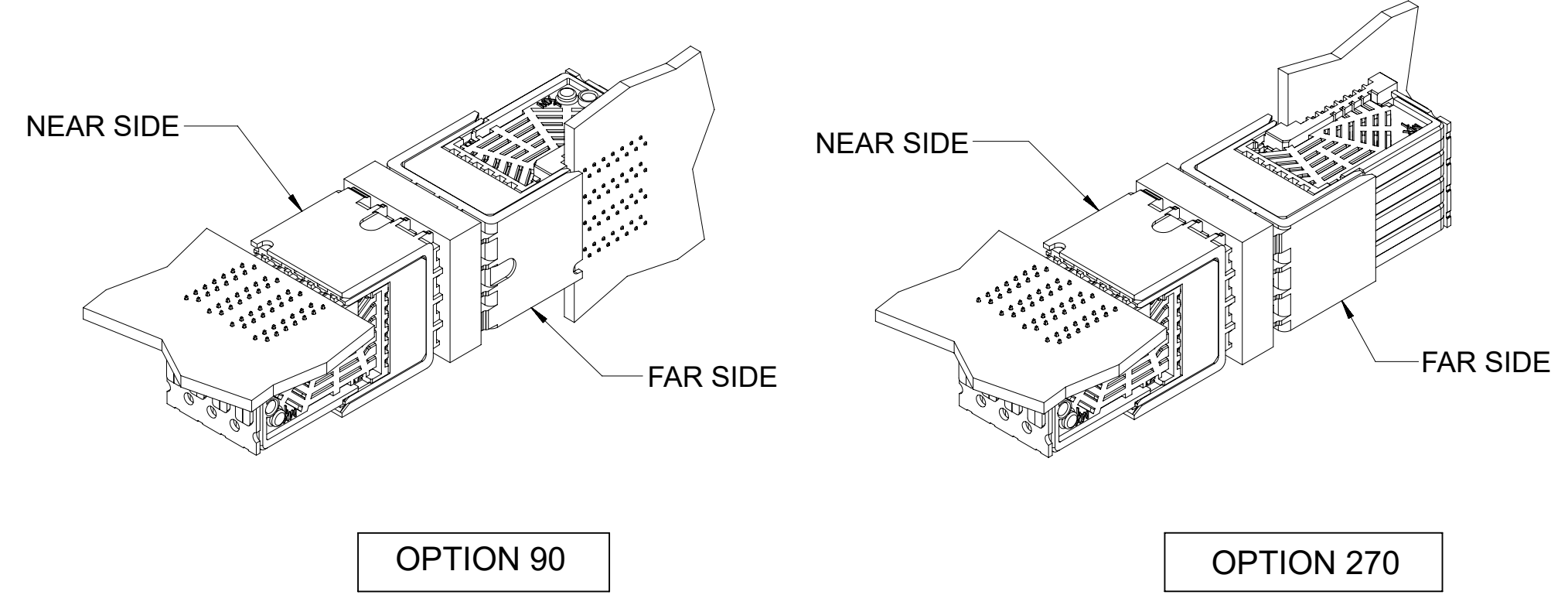


$\phi 0.10$
 $\phi 0.46 \pm 0.05$ PTH
 ($\phi 0.57$ DRILL)
 ($\phi 0.88$ PAD)

| ORTHO PIN MAPPING | | | |
|----------------------------------|---------|---------|---------|
| OPTION 90 (NEAR SIDE - FAR SIDE) | | | |
| A1b-G4b | A2b-E4b | A3b-C4b | A4b-A4b |
| A1a-G4a | A2a-E4a | A3a-C4a | A4a-A4a |
| C1b-G3b | C2b-E3b | C3b-C3b | C4b-A3b |
| C1a-G3a | C2a-E3a | C3a-C3a | C4a-A3a |
| E1b-G2b | E2b-E2b | E3b-C2b | E4b-A2b |
| E1a-G2a | E2a-E2a | E3a-C2a | E4a-A2a |
| G1b-G1b | G2b-E1b | G3b-C1b | G4b-A1b |
| G1a-G1a | G2a-E1a | G3a-C1a | G4a-A1a |

| ORTHO PIN MAPPING | | | |
|-----------------------------------|---------|---------|---------|
| OPTION 270 (NEAR SIDE - FAR SIDE) | | | |
| A1b-A1a | A2b-C1a | A3b-E1a | A4b-G1a |
| A1a-A1b | A2a-C1b | A3a-E1b | A4a-G1b |
| C1b-A2a | C2b-C2a | C3b-E2a | C4b-G2a |
| C1a-A2b | C2a-C2b | C3a-E2b | C4a-G2b |
| E1b-A3a | E2b-C3a | E3b-E3a | E4b-G3a |
| E1a-A3b | E2a-C3b | E3a-E3b | E4a-G3b |
| G1b-A4a | G2b-C4a | G3b-E4a | G4b-G4a |
| G1a-A4b | G2a-C4b | G3a-E4b | G4a-G4b |

Orthogonal PCB Layout



- NOTES:
- SIGNAL PAIRS (SHARED VIAS)
 - NEAR SIDE GROUNDS
 - FAR SIDE GROUNDS

| | | | | | | | | | |
|---|--|------------------------|--|---|--|----------|--|--------------|--|
| THIS DRAWING CONTAINS INFORMATION THAT IS PROPRIETARY TO MOLEX ELECTRONIC TECHNOLOGIES, LLC AND SHOULD NOT BE USED WITHOUT WRITTEN PERMISSION | | | | | | | | | |
| DIMENSION UNITS | | SCALE | | CURRENT REV DESC: REMASTERED TO NX | | | | | |
| mm | | NTS | | | | | | | |
| GENERAL TOLERANCES (UNLESS SPECIFIED) | | | | EC NO: 671119 DRWN: YOGEEB 2021/07/08 CHK'D: VINODM3 2022/02/03 APPR: CWANG25 2022/02/18 INITIAL REVISION: DRWN: BPISZCZOR 2007/02/08 APPR: JLAURX 2007/02/09 | | | | | |
| ANGULAR TOL ± 0.5° | | | | | | | | | |
| 4 PLACES ± | | | | | | | | | |
| 3 PLACES ± | | | | | | | | | |
| 2 PLACES ± 0.13 | | | | | | | | | |
| 1 PLACE ± 0.25 | | | | DOCUMENT NUMBER | | DOC TYPE | | DOC PART | |
| 0 PLACES ± | | | | SD-76015-004 | | PSD | | 001 | |
| DRAFT WHERE APPLICABLE MUST REMAIN WITHIN DIMENSIONS | | THIRD ANGLE PROJECTION | | DRAWING | | SERIES | | SHEET NUMBER | |
| | | | | C-SIZE | | 76015 | | 4 OF 4 | |