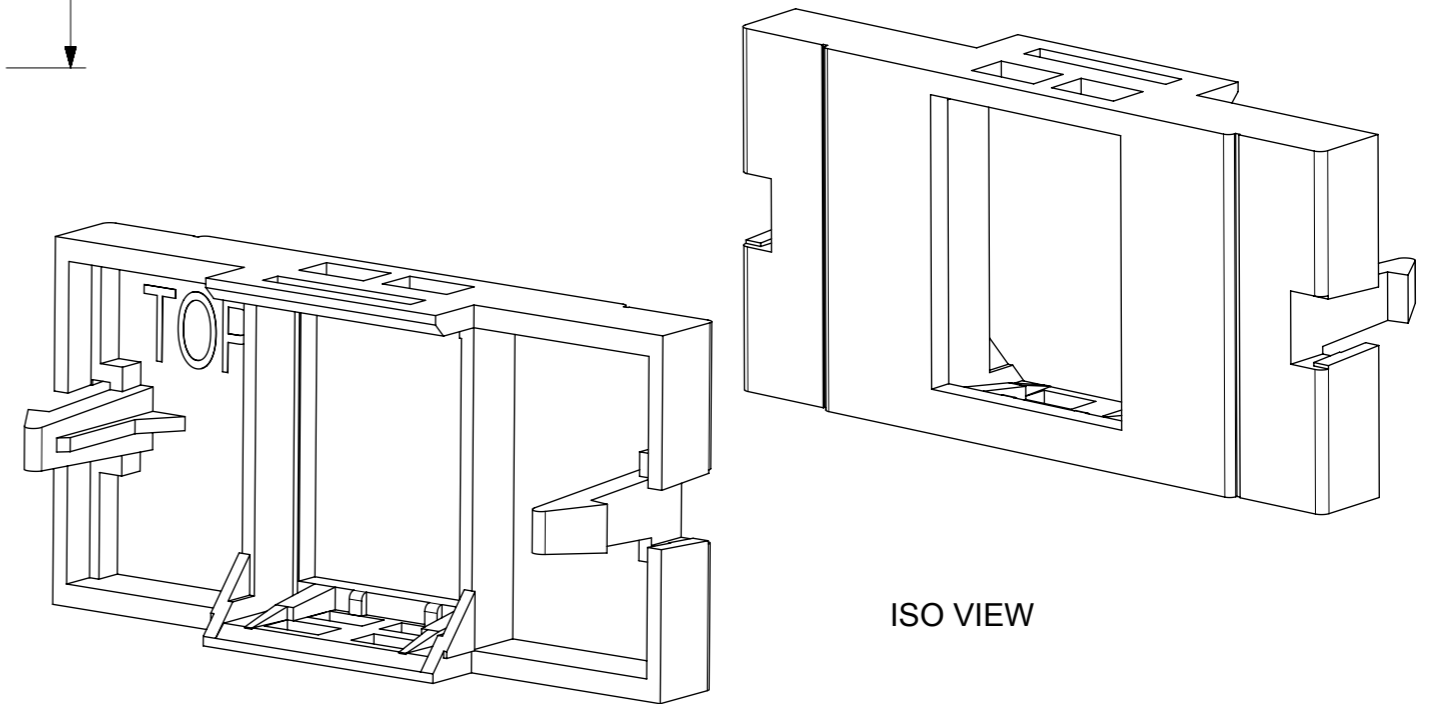
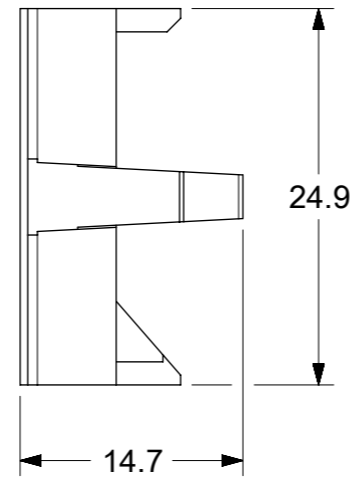
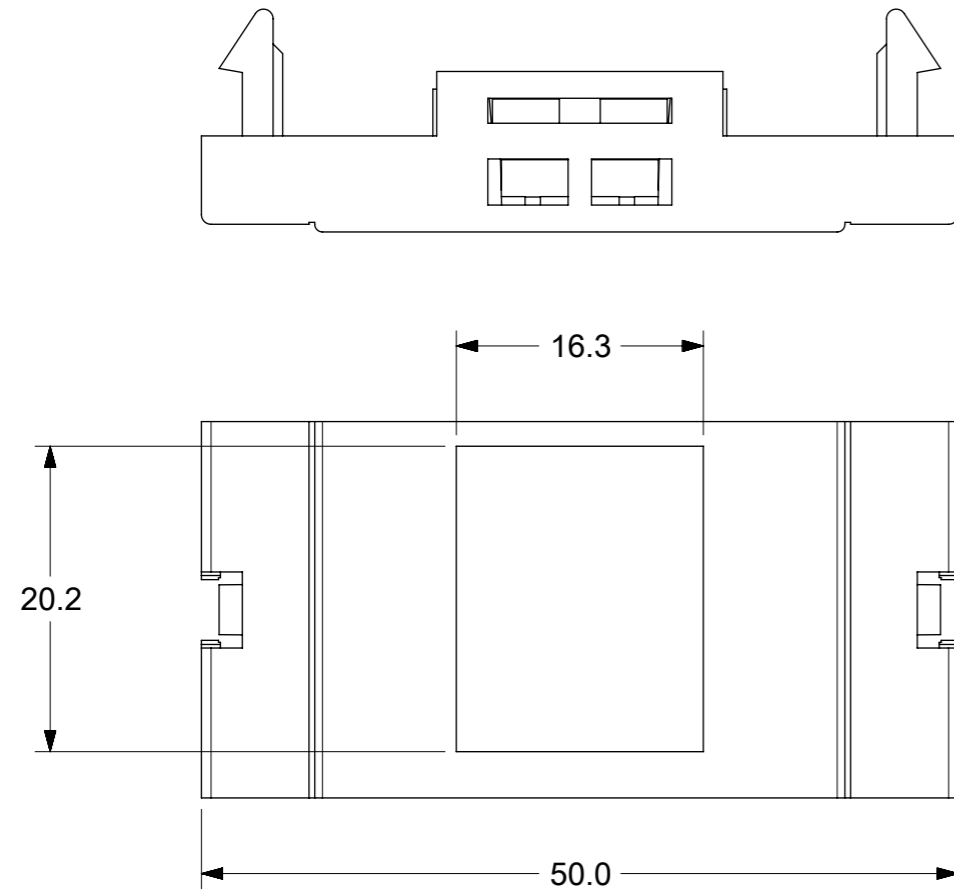


NOTES:

1. MATERIAL: POLYCARBONATE/ACRYLONITRILE-BUTADIENE-STYRENE (PC/ABS)
2. PACKAGING : 10 NUMBERS OF MODULES ARE PACKED IN A BAG.



PART NUMBER CHART		
MPN NO.	SAP NO.	DESCRIPTION
MUS-00096-01	180070047	USOII 1U 1 PORT FASCIA LIGHT ALMOND
MUS-00096-02	180070048	USOII 1U 1 PORT FASCIA ASH WHITE
MUS-00096-04	180070049	USOII 1U 1 PORT FASCIA BLACK
MUS-00096-08	180070050	USOII 1U 1 PORT FASCIA PRG GRAY

THIS DRAWING CONTAINS INFORMATION THAT IS PROPRIETARY TO MOLEX ELECTRONIC TECHNOLOGIES, LLC AND SHOULD NOT BE USED WITHOUT WRITTEN PERMISSION										
SYMBOLS	DIMENSION UNITS	SCALE	CURRENT REV DESC:				molex			
▽ = 0	mm	2:1	EC NO: 613277 DRWN: NBP 2019/03/06 CHK'D: RCG 2019/04/09 APPR: RCG 2019/04/09 INITIAL REVISION: DRWN: PS03 2010/06/01 APPR: JKUMAR 2010/06/16				USOII 1U 1 PORT FASCIA - 10/BAG			
▽ = 0	GENERAL TOLERANCES (UNLESS SPECIFIED)									PRODUCT CUSTOMER DRAWING
▽ = 0	ANGULAR TOL ± °									
▽ = 0	4 PLACES ±						DOCUMENT NUMBER	DOC TYPE	DOC PART	
▽ = 0	3 PLACES ±						SD-18007-004			PSD
▽ = 0	2 PLACES ±		MATERIAL NUMBER			CUSTOMER				
▽ = 0	1 PLACE ± 0.51		A3-SIZE			18007				
▽ = 0	0 PLACES ±		SEE TABLE			GENERAL MARKET				
□ = 0	DRAFT WHERE APPLICABLE MUST REMAIN WITHIN DIMENSIONS		THIRD ANGLE PROJECTION		DRAWING		SHEET NUMBER			
▽ = 0			A3-SIZE		18007		1 OF 1			