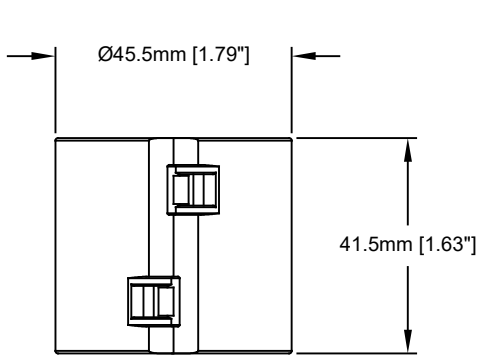
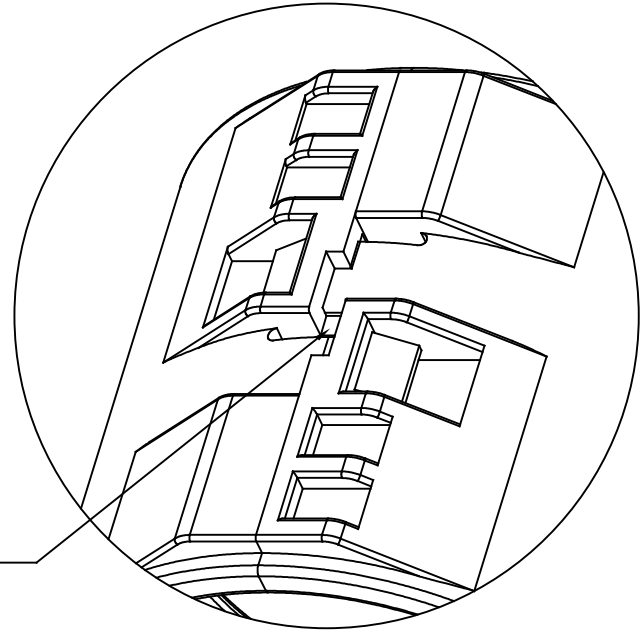
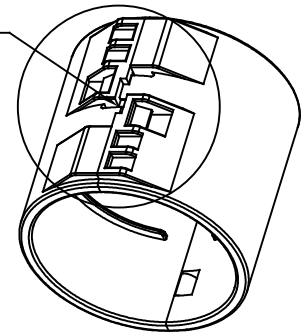


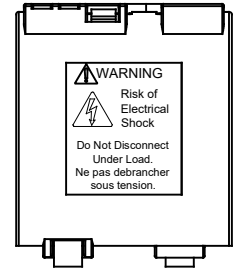
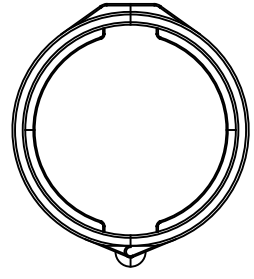
REVISIONS					
REV	ECO	DESCRIPTION	DATE	BY	APPR
A1	-	TECHNICAL DATA SHEET RELEASE	12-MAY-14	KMM	RFC



TO DISENGAGE: PLACE FLAT HEAD SCREWDRIVER HERE AND TURN COUNTER-CLOCKWISE.



TO DISENGAGE: PLACE FLAT HEAD SCREWDRIVER HERE AND TURN COUNTER-CLOCKWISE.



**WARNING**  
Risk of Electrical Shock  
Do Not Disconnect Under Load.  
Ne pas debrancher sous tension.

**WARNING**  
Risk of Electrical Shock  
Do Not Disconnect Under Load.  
Risque de chocs electriques  
Ne pas debrancher sous tension.

Amphenol P/N	ROCKWELL P/N	MOLEX	TURCK
P29040	280-MTRLC-M35	66200A-10	LOCK-D POWER

TECHNICAL DATA:  
1) MATERIALS: THERMOPLASTIC COLOR: BLACK  
2) RoHS COMPLIANT

QUANTITY	PART NUMBER	DESCRIPTION	ITEM
<b>MATERIALS LIST</b>			
<small>UNLESS OTHERWISE SPECIFIED</small> 1) All dimensions are in metric (mm). 2) Tolerances are as follows: 1 PL DEC ±0.30   Fractions ±1/64 2 PL DEC ±0.15   Angles ±1° 3 PL DEC ±0.08		<b>SIGNATURES</b> <b>DATE</b> DRAWN: KMM    12-MAY-14 CHECKED: MRF    12-MAY-14 ENGINEER: KMM APPROVAL: RFC    12-MAY-14 CUSTOMER:	
<b>MATERIAL SPECIFICATIONS:</b> THIS DRAWING IS SUPPLIED FOR INFORMATION ONLY. DESIGN FEATURES, SPECIFICATIONS AND PERFORMANCE DATA SHOWN HEREON ARE THE PROPERTY OF THE AMPHENOL CORPORATION. NO RIGHTS OF REPRODUCTION ARE IMPLIED. ALL DIMENSIONS ARE SUBJECT TO NORMAL MANUFACTURING VARIATIONS.		<h1>Amphenol</h1> Sine Systems - www.amphenol-sine.com 44724 Morley Drive Clinton Township, MI 48036 <b>M35 TRUNK LOCKING CLIP</b>	
<b>PROCESS SPECIFICATIONS:</b>		SIZE: <b>C-</b> SCALE: FULL	DWG NO: <b>P29040</b> SHEET 1 OF 1 REVISION: <b>A1</b>
<b>NEXT ASSY:</b>		C-P29040	

TITLE: M35 TRUNK LOCKING CLIP  
 DWG NO: C-P29040  
 REV: A1  
 SH: 1  
 OF: 1