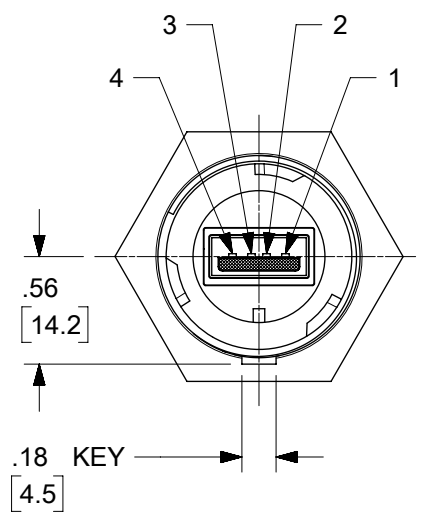
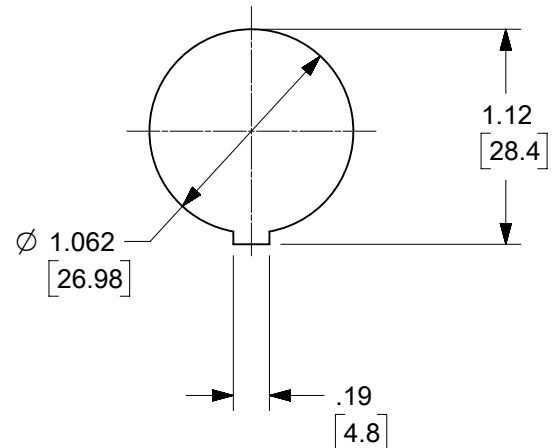


PART NO.	LENGTH
847290003	6.00 +.47-0 (152mm + 12mm-0)
847290004	31.88 +1.00-0 (810mm + 25mm-0)
847290005	51.57 +1.00-0 (1310mm + 25mm-0)
847290006	81.89 +1.57-0 (2080mm + 40mm-0)
847290007	131.0 +3.15-0 (3330mm + 80mm-0)
847290008	196.90 +3.94-0 (5000mm + 100mm-0)
847290011	3.00 +.47-0 (76mm + 12mm-0)



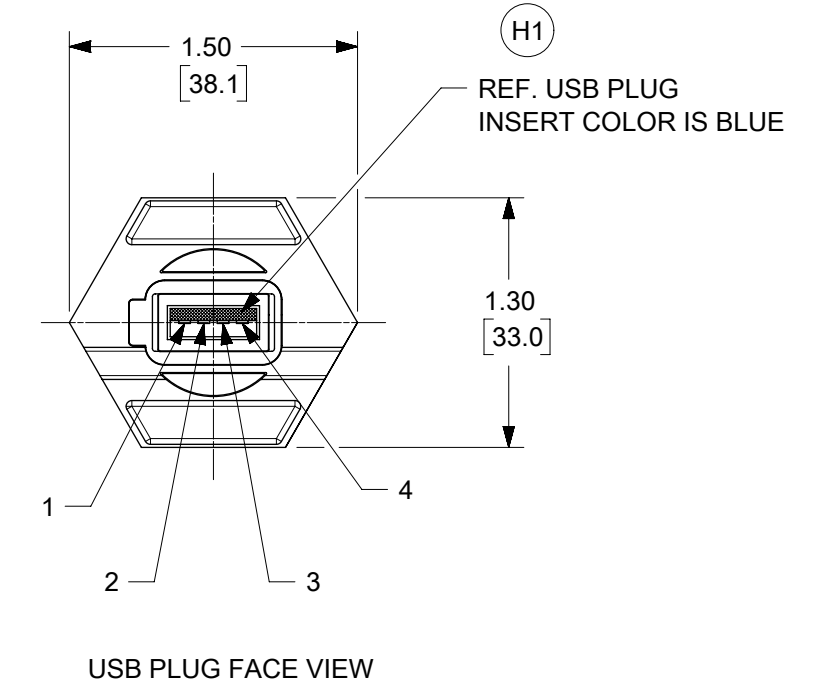
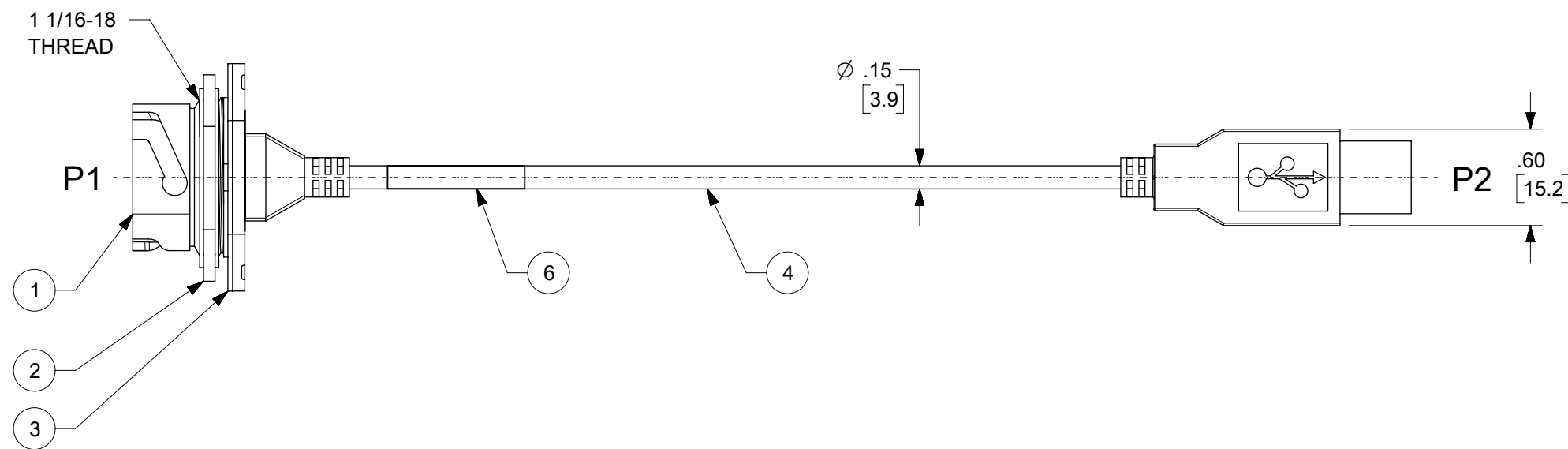
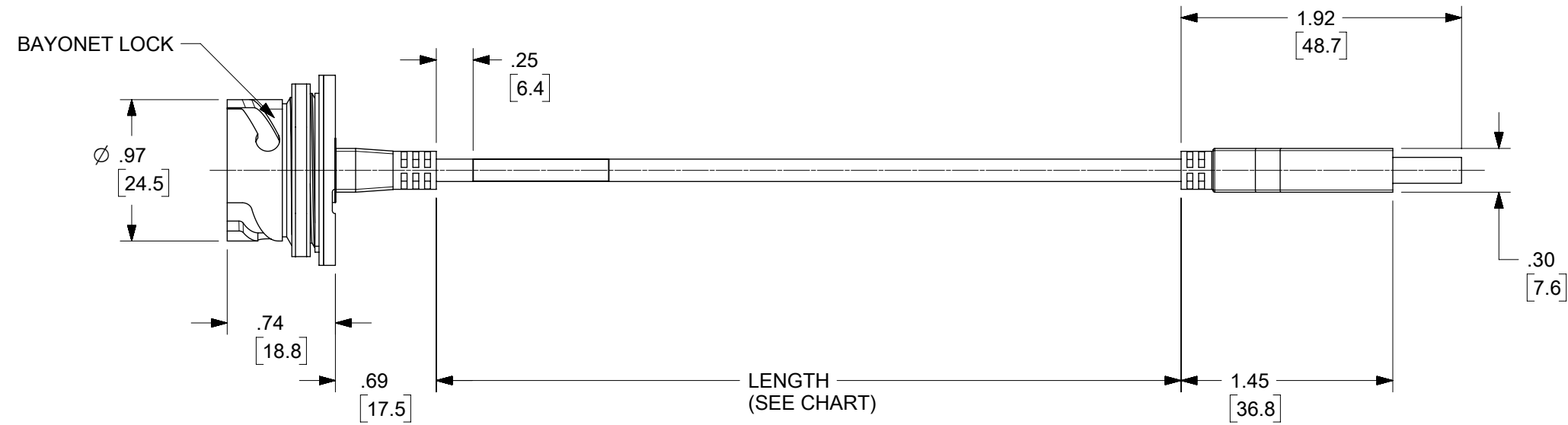
RECEPTACLE FACE VIEW  
(PANEL NUT NOT SHOWN)



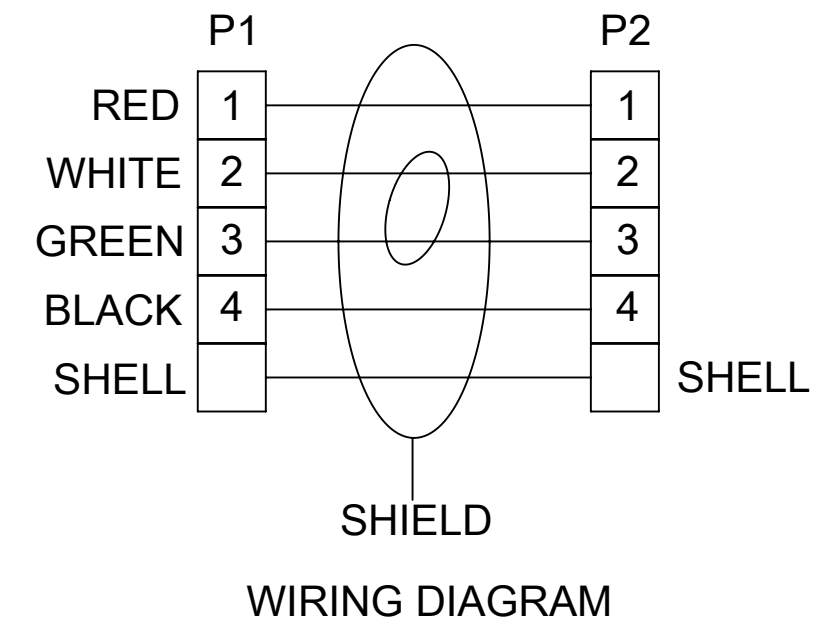
PANEL CUT OUT

NOTES:

- MATERIAL: AS NOTED
- FINISHES: AS NOTED
- PRODUCT SPEC: PS-84727-002
- ELECTRICAL SPECS:  
VOLTAGE RATING: 30 VAC  
CURRENT RATING: 1.0V
- ENVIRONMENTAL: IP67 (RECEPTACLE END, WHEN MATED)
- OPERATING TEMP: -40°C TO +80°C
- PANEL NUT TORQUE: 24 IN LBS.
- PANEL THICKNESS: .10 MAX
- CABLE MATERIAL: PVC JACKET, BLACK  
USB SHELL: PHOS-BRONZE, NICKEL PLATED  
CONTACTS: PHOS-BRONZE, GOLD PLATED WIRE GAGE: 28
- DIMS SHOWN ARE FOR REFERENCE UNLESS NOTED OTHERWISE



USB PLUG FACE VIEW



ITEM	DESCRIPTION	MATERIAL	FINISH
6	WRAP LABEL	VINYL	WHITE
5	POTTING COMPOUND	EPOXY	BLACK
4	USB-A CABLE SUB-ASSY. 28AWG, SHIELDED	AS NOTED	AS NOTED
3	PANEL GASKET	NEOPRENE	BLACK
2	LOCKNUT	NYLON, PA66 UL 94 HB	BLACK
1	RECEPTACLE HOUSING	PBT, UL 94V-0	BLACK

SYMBOLS		THIS DRAWING CONTAINS INFORMATION THAT IS PROPRIETARY TO MOLEX ELECTRONIC TECHNOLOGIES, LLC AND SHOULD NOT BE USED WITHOUT WRITTEN PERMISSION	
▽ = 0	HYBRID	SCALE	CURRENT REV DESC: ADD INSERT NOTE
▽ = 0	GENERAL TOLERANCES (UNLESS SPECIFIED)	1:1	
▽ = 0		MM	INCH
▽ = 0	4 PLACES ±	±	±
▽ = 0	3 PLACES ±	±	±
▽ = 0	2 PLACES ±	± 0.01	±
▽ = 0	1 PLACE ±	± 0.25	±
▽ = 0	0 PLACES ±	±	±
▽ = 0	ANGULAR TOL ± 0.5 °		
▽ = 0	DRAFT WHERE APPLICABLE MUST REMAIN WITHIN DIMENSIONS	THIRD ANGLE PROJECTION	DRAWING SERIES
		C-SIZE	84729
		EC NO: 613957	2019/03/13
		DRWN: RSTONE	2019/03/19
		CHK'D: MZIELINSKI	2019/03/26
		APPR: BWOODMAN	
		INITIAL REVISION:	
		DRWN: R. STONE	2007/02/15
		APPR: J. MACNEAL	2007/02/20
		DOCUMENT NUMBER	DOC TYPE   DOC PART   REVISION
		SD-84729-006	PSD 001 H1
		MATERIAL NUMBER	CUSTOMER
		SEE P/N CHART	GENERAL MARKET
			SHEET NUMBER
			1 OF 1