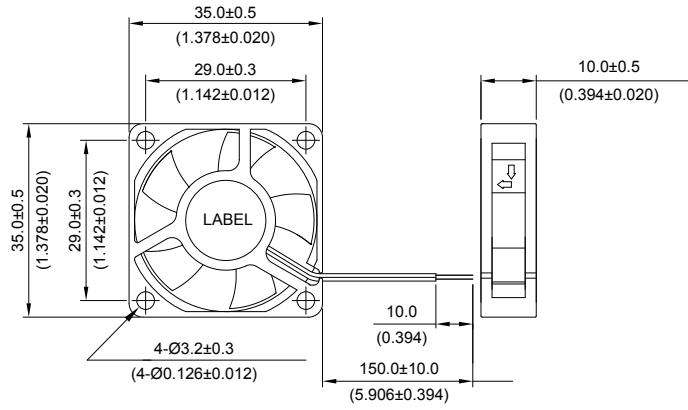


New



ASB 35 x 35 x 10 MM SERIES

DIMENSIONS DRAWING

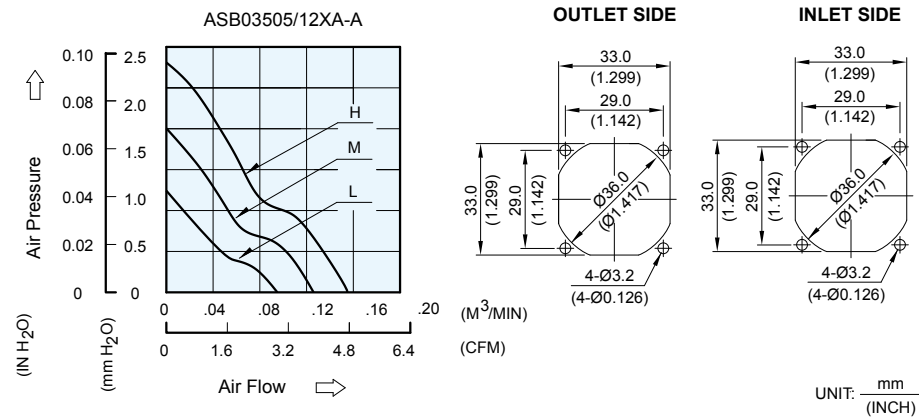


UNIT: $\frac{\text{mm}}{\text{(INCH)}}$

- * Bearing Type
Sleeve Bearing
- * Material
Impeller & Frame : Plastic (UL 94V-0)
- * Lead Wires :
UL 1061 AWG #26 OR Equivalent
Red Wire Positive (+)
Black Wire Negative(-)
- * Weight : 10g (0.35 oz)
- * Rib Type Only

P & Q CURVE (AT RATED VOLTAGE)

MOUNTING PANEL CUTOUT



UNIT: $\frac{\text{mm}}{\text{(INCH)}}$

MODEL			Rated Voltage	Operating Voltage Range	Rated Current	Rated Input Power	Speed	Maximum Air Flow		Maximum Air Pressure		Noise
PART NO.	REV.	FUNCTION	VDC	VDC	Amp	Watt	R.P.M.	m ³ /min	CFM	mmH ₂ O	IN H ₂ O	dB-A
ASB03505LA	-A	-R00 / -F00	5	4.5 to 5.5	0.06	0.30	4500	0.095	3.35	1.24	0.049	15.0
ASB03505MA	-A	-R00 / -F00	5	4.5 to 5.5	0.08	0.40	5800	0.127	4.50	2.00	0.079	18.5
ASB03512MA	-A	-R00 / -F00	12	7.0 to 13.8	0.05	0.60						
ASB03505HA	-A	-R00 / -F00	5	4.5 to 5.5	0.10	0.50	7000	0.156	5.50	2.75	0.108	22.0
ASB03512HA	-A	-R00 / -F00	12	7.0 to 13.8	0.06	0.72						

* Function type is optional.
 * The max. air flow and the speed are measured in free air ; max. air pressure is measured at zero air flow.
 * Noise is measured in anechoic chamber in free air, one meter from intake side.
 * All readings are typical values at rated voltage.
 * Specifications are subject to change without notice.