

Single-chip AIROC™ Bluetooth® transceiver and baseband processor

The CYW20705 is a monolithic, single-chip, AIROC™ Bluetooth® 4.1 compliant, stand-alone baseband processor with an integrated 2.4 GHz transceiver. Manufactured using the industry's most advanced 65 nm CMOS low-power process, the CYW20705 employs the highest level of integration, eliminating all critical external components, and thereby minimizing the device's footprint and costs associated with the implementation of Bluetooth® solutions.

The CYW20705 is the optimal solution for voice and data applications that require a Bluetooth® SIG standard Host Controller Interface (HCI) via USB, UART H4 or H5, and PCM audio interface support. The CYW20705 radio transceiver's enhanced radio performance meets the most stringent industrial temperature application requirements for compact integration into mobile handset and portable devices. The CYW20705 is fully compatible with all standard TCXO frequencies and provides full radio compatibility, enabling it to operate simultaneously with GPS and cellular radios.

Features

- Bluetooth® 4.1 + EDR compliant
- Class 1 capable with built-in PA
- Programmable output power control meets Class 1, Class 2, or Class 3 requirements
- Use supply voltages up to 5.5 V
- Supports Infineon SmartAudio, wide-band speech, SBC codec, and packet loss concealment.
- Fractional-N synthesizer supports frequency references from 12 MHz to 52 MHz
- Automatic frequency detection for standard crystal and TCXO values when an external 32.768 kHz reference clock is provided.
- Ultra-low power consumption
- Supports serial flash interfaces
- Available in a 50-ball FPBGA package.
- ARM7TDMI-S-based microprocessor with integrated ROM and RAM
- Supports mobile and PC applications without external memory
- A USB hub

Applications

- Desktop and laptop personal computers
- Computer peripheral devices (PCMCIA cards, CF cards, and USB dongles)
- Personal digital assistants
- Automotive telematic systems

Block diagram

Block diagram

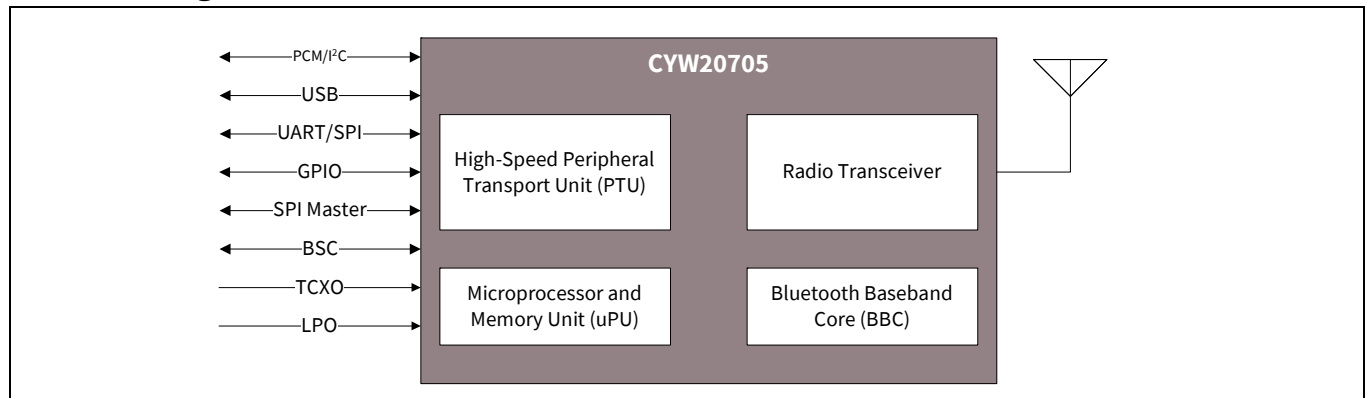


Table of contents

Features	1
Applications	1
Block diagram	2
Table of contents	3
1 Overview	5
1.1 Major features	5
1.2 Block diagram	7
1.3 Usage model	8
1.3.1 PC Product usage model	8
2 Integrated radio transceiver	9
2.1 Transmitter path	9
2.1.1 Digital modulator	9
2.1.2 Power amplifier.....	9
2.2 Receiver path	9
2.2.1 Digital demodulator and bit synchronizer.....	9
2.2.2 Receiver signal strength indicator	9
2.3 Local oscillator generation.....	10
2.4 Calibration.....	10
2.5 Internal LDO	10
3 Bluetooth® baseband core	11
3.1 Transmit and receive functions.....	11
3.2 Bluetooth® 4.1 + EDR features	11
3.3 Frequency hopping generator	12
3.4 Link control layer	12
3.5 Test mode support.....	12
3.6 Power management unit.....	13
3.6.1 RF power management	13
3.6.2 Host controller power management	13
3.6.3 BBC power management.....	14
3.6.4 Backdrive protection	15
3.7 Adaptive frequency hopping.....	15
3.8 Collaborative coexistence	15
3.9 Serial enhanced coexistence interface	16
3.9.1 SECI advantages.....	16
3.9.2 SECI I/O.....	16
4 Microprocessor unit	17
4.1 Overview.....	17
4.2 NVRAM configuration data and storage.....	17
4.2.1 Serial interface	17
4.3 EEPROM	17
4.4 External reset	18
4.5 One-time programmable memory.....	18
4.5.1 Contents	18
4.5.2 Programming	19
5 Peripheral transport unit	20
5.1 PCM interface	20
5.1.1 System diagram	20
5.1.2 Slot mapping.....	21
5.1.3 Wideband speech.....	21
5.1.4 Frame synchronization.....	21
5.1.5 Data formatting.....	21



Table of contents

5.2 HCI transport detection configuration22

5.3 USB interface.....22

5.3.1 Features.....22

5.3.2 Operation22

5.3.3 USB hub and UHE support23

5.4 UART interface24

5.4.1 HCI 3-wire transport (UART H5).....24

5.5 SPI25

5.6 Simultaneous UART transport and bridging25

6 Frequency references.....26

6.1 Crystal interface and clock generation26

6.2 Crystal oscillator27

6.3 External frequency reference27

6.3.1 TCXO clock request support.....27

6.4 Frequency selection.....28

6.5 Frequency trimming28

6.6 LPO clock interface29

7 Pin-out and signal descriptions30

7.1 Pin descriptions30

8 Ball grid arrays32

9 Electrical characteristics33

9.1 RF specifications38

9.2 Timing and AC characteristics.....41

9.2.1 Startup timing.....41

9.2.2 USB Full-Speed timing.....42

9.2.3 UART timing43

9.2.4 PCM interface timing44

9.2.5 BSC interface timing.....48

10 Mechanical information49

10.1 Tape, reel, and packing specification50

11 Ordering information51

References.....52

Revision history53

1 Overview

The CYW20705 complies with Bluetooth® Core Specification, version 4.1 and is designed for use in standard Host Controller Interface (HCI) UART and HCI USB applications. The combination of the Bluetooth® Baseband Core (BBC), a Peripheral Transport Unit (PTU), and an Arm®-based microprocessor with on-chip ROM provides a complete lower layer Bluetooth® protocol stack, including the Link Controller (LC), Link Manager (LM), and HCI.

1.1 Major features

Major features of the CYW20705 include:

- Support for Bluetooth® 4.1 + EDR including the following options:
 - A whitelist size of 25.
 - Enhanced Power Control
 - HCI Read Encryption Key Size command
- Full support for Bluetooth® 2.1 + EDR additional features:
 - Secure Simple Pairing (SSP)
 - Encryption Pause Resume (EPR)
 - Enhance Inquiry Response (EIR)
 - Link Supervision Time Out (LSTO)
 - Sniff SubRating (SSR)
 - Erroneous Data (ED)
 - Packet Boundary Flag (PBF)
- Built-in Low Drop-Out (LDO) regulators (2)
 - 1.63 to 5.5 V input voltage range
 - 1.8 to 3.3 V intermediate programmable output voltage
- Integrated RF section
 - Single-ended, 50 ohm RF interface
 - Built-in TX/RX switch functionality
 - TX Class 1 output power capability
 - RX sensitivity basic rate of -88 dBm
 - RX sensitivity for Low Energy of -92 dBm
- Supports maximum Bluetooth® data rates over HCI UART, USB, and SPI interfaces
- Multipoint operation, with up to 7 active slaves
 - Maximum of 7 simultaneous active ACL links
 - Maximum of 3 simultaneous active SCO and eSCO links, with Scatternet support
- Scatternet operation, with up to 4 active piconets (with background scan and support for Scatter Mode)
- High-speed HCI UART transport support
 - H4 five-wire UART (four signal wires, one ground wire)
 - H5 three-wire UART (two signal wires, one ground wire)
 - Maximum UART baud rates of 4 Mbps
 - Low-power out-of-band BT_WAKE and HOST_WAKE signaling
 - VSC from host transport to UART
 - Proprietary compressing scheme (allows more than 2 simultaneous A2DP packets and up to 5 devices at a time)

Overview

- HCI USB transport support
 - USB version 2.0 full-speed compliant interface
 - Full USB hub
 - UHE (proprietary method for emulating a Human Interface Device (HID) at system bootup)
- Channel Quality-Driven Data Rate (CQDDR) and packet type selection
- Standard Bluetooth® test modes
- Extended radio and production test mode features
- Full support for power savings modes:
 - Bluetooth® standard sniff
 - Deep sleep modes and regulator shutdown
- Supports Wide-Band Speech (WBS) over PCM and Packet Loss Concealment (PLC) for better audio quality
- 2-, 3-, and 4-wire coexistence
- Power Amplifier (PA) shutdown for externally controlled coexistence, such as WIMAX
- Built-in LPO clock or operation using an external LPO clock
- TCXO input and auto-detection of all standard handset clock frequencies (supports low-power crystal, which can be used during Power Saving mode with better timing accuracy)
- OR gate for combining a host clock request with a Bluetooth® clock request (operates even when the Bluetooth® core logic is powered off)
- Larger patch RAM space to support future enhancements
- Serial flash Interface with native support for devices from several manufacturers
- One-Time Programmable (OTP) memory

1.2 Block diagram

Figure 1 shows the interconnect of the major CYW20705 physical blocks and associated external interfaces.

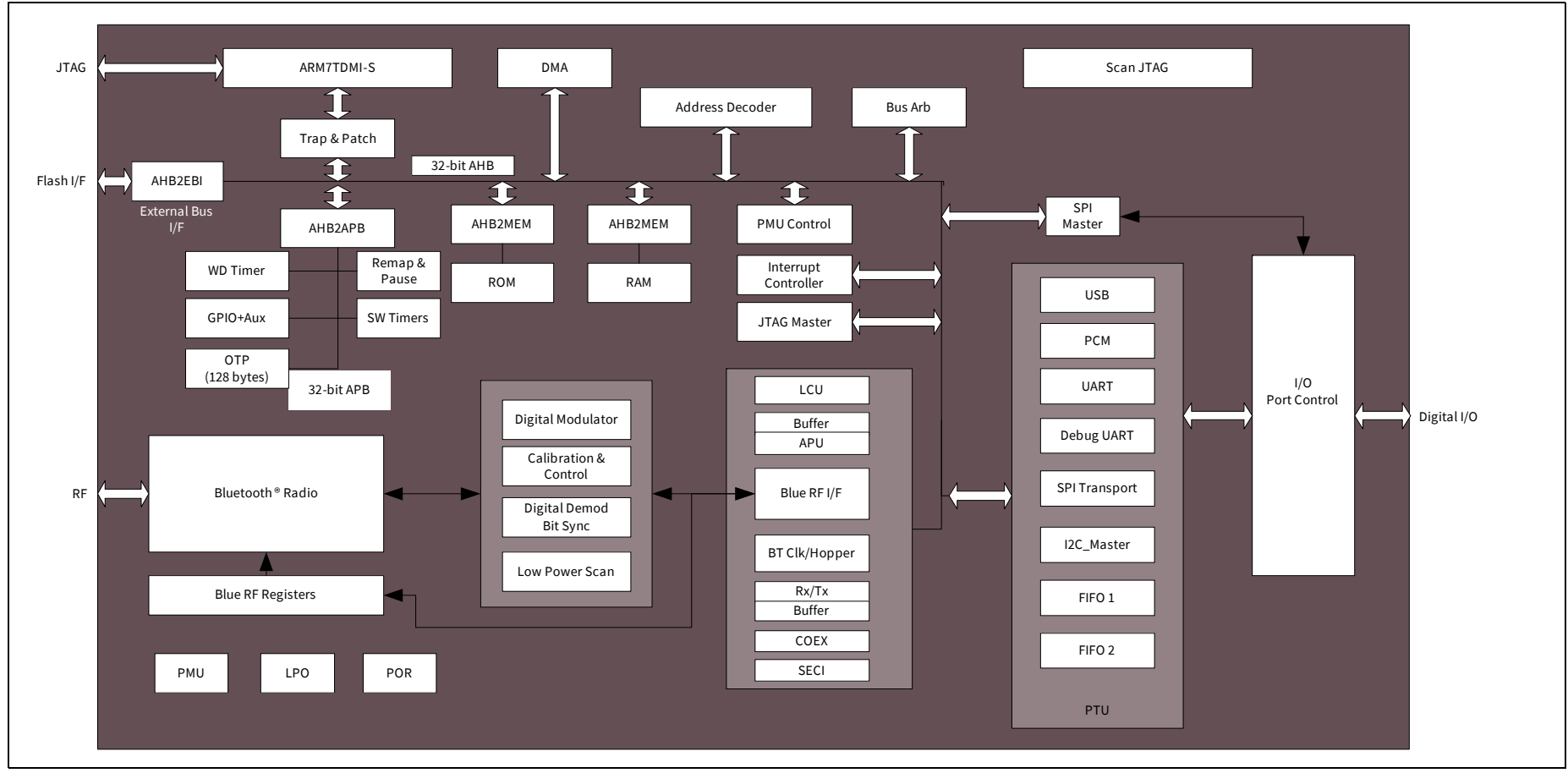


Figure 1 Functional block diagram

1.3 Usage model

This section contains information on the **PC Product usage model**.

1.3.1 PC Product usage model

The CYW20705 can be directly interfaced using the HCI USB interface, providing full support for embedded USB applications like laptops and PC motherboards. The CYW20705 also supports PC applications as an external USB dongle peripheral device.

Figure 2 shows an example of a PC product usage model.

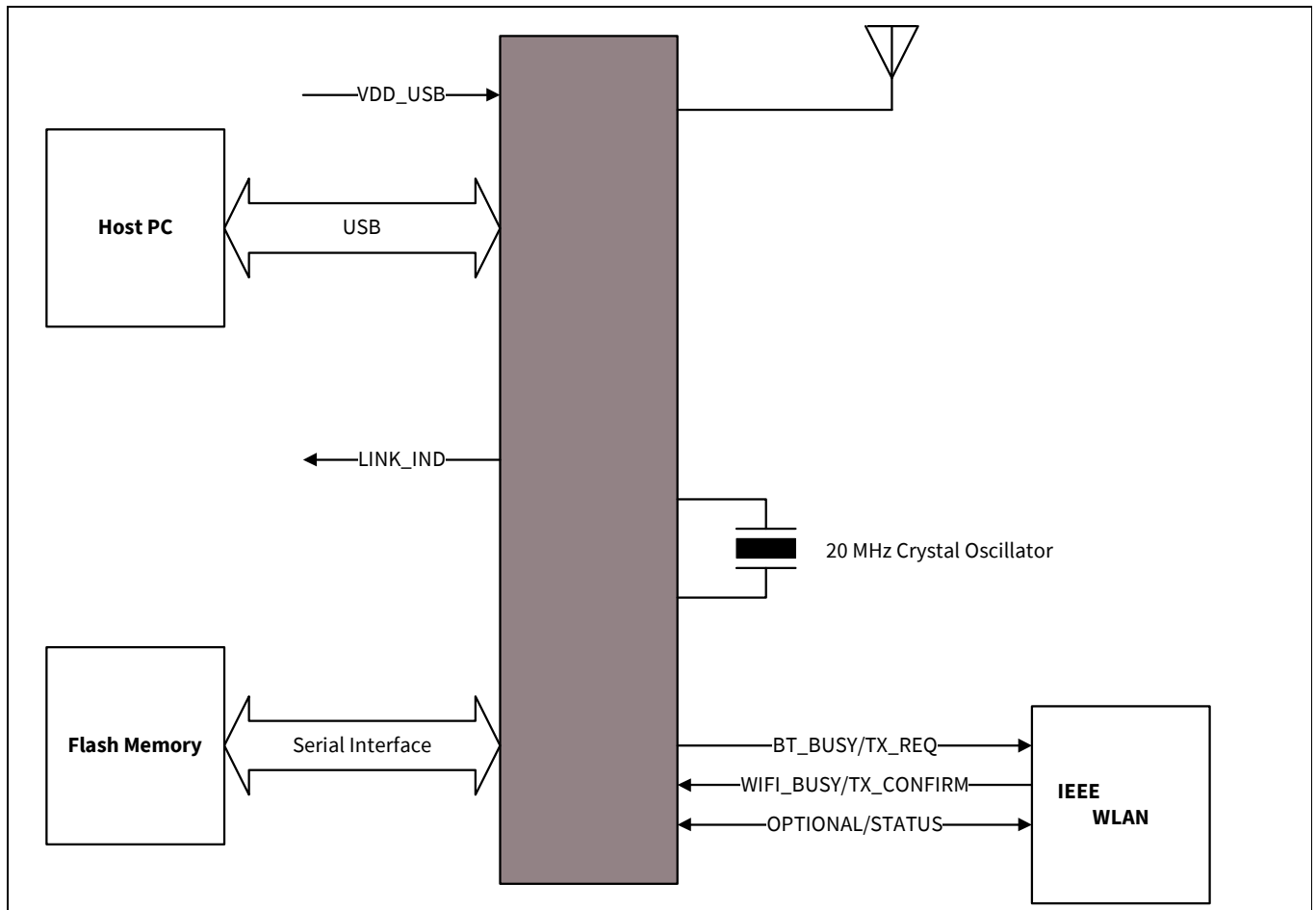


Figure 2 PC product usage model

2 Integrated radio transceiver

The CYW20705 has an integrated radio transceiver that has been optimized for use in 2.4 GHz Bluetooth® wireless systems. It has been designed to provide low-power, low-cost, robust communications for applications operating in the globally available 2.4 GHz unlicensed ISM band. The CYW20705 is fully compliant with the Bluetooth® Radio Specification and enhanced data rate specification and meets or exceeds the requirements to provide the highest communication link quality of service.

2.1 Transmitter path

The CYW20705 features a fully integrated zero IF transmitter. The baseband transmitted data is digitally modulated in the modem block and up-converted to the 2.4 GHz ISM band in the transmitter path. The transmitter path consists of signal filtering, I/Q up-conversion, a high-output power amplifier (PA), and RF filtering. The CYW20705 also incorporates modulation schemes to support enhanced data rates.

- P/4-DQPSK for 2 Mbps
- 8-DPSK for 3 Mbps

2.1.1 Digital modulator

The digital modulator performs the data modulation and filtering required for the GFSK, $\pi/4$ DQPSK, and 8-DPSK signals. The fully digital modulator minimizes any frequency drift or anomalies in the modulation characteristics of the transmitted signal and is much more stable than direct VCO modulation schemes.

2.1.2 Power amplifier

The CYW20705 integrated PA can be configured for Class 2 operation, transmitting up to +4 dBm. The PA can also be configured for Class 1 operation, transmitting up +10 dBm at the chip in gFSK mode, when a minimum supply voltage of 2.5 V is applied to VDDTF.

Because of the linear nature of the PA, combined with integrated filtering, minimal external filtering is required to meet Bluetooth® and regulatory harmonic and spurious requirements.

Using a highly linearized, temperature compensated design, the PA can transmit +10 dBm for basic rate and +8 dBm for enhanced data rates (2 to 3 Mbps). A flexible supply voltage range allows the PA to operate from 1.2 V to 3.3 V. A minimum supply voltage of 2.5 V is required at VDDTF to achieve +10 dBm of transmit power.

2.2 Receiver path

The receiver path uses a low IF scheme to downconvert the received signal for demodulation in the digital demodulator and bit synchronizer. The receiver path provides a high degree of linearity, an extended dynamic range, and high order on-chip channel filtering to ensure reliable operation in the noisy 2.4 GHz ISM band. The front-end topology, with built-in out-of-band attenuation, enables the device to be used in most applications without off-chip filtering. For integrated handset operation where the Bluetooth® function is integrated close to the cellular transmitter, minimal external filtering is required to eliminate the desensitization of the receiver by the cellular transmit signal.

2.2.1 Digital demodulator and bit synchronizer

The digital demodulator and bit synchronizer uses the low IF received signal to perform an optimal frequency tracking and bit synchronization algorithm.

2.2.2 Receiver signal strength indicator

The CYW20705 radio provides a Receiver Signal Strength Indicator (RSSI) signal to the baseband so that the controller can take part in a Bluetooth® power-controlled link by providing a metric of its own receiver signal strength to determine whether the transmitter should increase or decrease its output power.

2.3 Local oscillator generation

Local Oscillator (LO) generation provides fast frequency hopping (1600 hops/second) across the 79 maximum available channels. The LO generation subblock employs an architecture for high immunity to LO pulling during PA operation. The device uses fully-integrated PLL loop filters.

2.4 Calibration

The radio transceiver features an automated calibration scheme that is fully self-contained in the radio. User interaction is not required during normal operation or during manufacturing to provide the optimal performance. Calibration optimizes the performance of all major blocks in the radio, including gain and phase characteristics of filters, matching between key components, and key gain blocks. Calibration, which takes process and temperature variations into account, occurs transparently during the settling time of the hops, adjusting for temperature variations as the device cools and heats during normal operation.

2.5 Internal LDO

Two internal Low Drop-Out (LDO) voltage regulators eliminate the need for external voltage regulators and therefore reduce the BOM. The first LDO is a preregulator (HVLDO). The second LDO (Main LDO) supplies the main power to the CYW20705 (see [Figure 3](#)).

The HV LDO has an input voltage range of 3.3 V to 5.5 V. The input VBAT is ideal for batteries. The VREGHV output is programmable from 1.8 V to 3.3 V, in 100 mV steps. The dropout voltage is 200 mV. The HV LDO can supply up to 95 mA, which leaves spare power for external circuitry such as an RF power amp for higher transmit power.

The HV LDO default output voltage is 2.9 V, allowing this regulator to be used to power external NV memory devices, as well as the VDDO rail. The firmware can then adjust this output to as low as 1.8 V, if desired, to power VDDTF.

The main LDO has a 1.22 V output (VREG) and is used to supply main power to the CYW20705. The input of this LDO (VREGHV) has an input voltage range of from 1.63 V to 3.63 V. The output of the HV LDO is internally connected to the input to the main LDO. Power can be applied to VREGHV when the HV LDO is not used. The main LDO supplies power to the entire device for Class 2 operation. The main LDO can drive up to 60 mA, which leaves spare power for external circuitry. The main LDO is bypassed by not connecting anything to its output (VREG) and driving 1.12 V–1.32 V directly to VDDC and VDDRF.

REG_EN provides a control signal for the host to control power to the CYW20705. When power is enabled, the CYW20705 will require complete initialization.

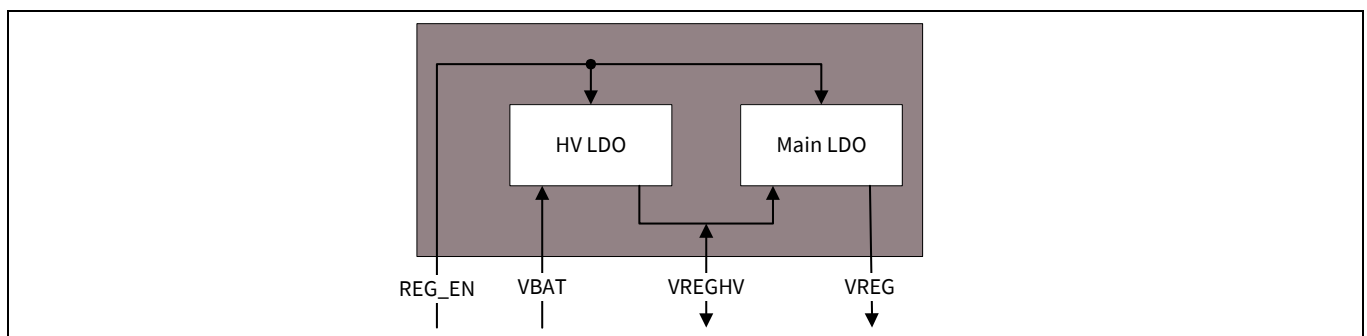


Figure 3 LDO functional block diagram

3 Bluetooth® baseband core

The Bluetooth® Baseband Core (BBC) implements the time critical functions required for high-performance Bluetooth® and Low Energy operation. The BBC manages buffering, segmentation, and data routing for all connections. It also buffers data that passes through it, handles data flow control, schedules SCO/ACL Tx/Rx transactions, monitors Bluetooth® slot usage, optimally segments and packages data into baseband packets, manages connection status indicators, and composes and decodes HCI packets. In addition to these functions, it independently handles HCI event types and HCI command types.

3.1 Transmit and receive functions

The following transmit and receive functions are implemented in the BBC hardware to increase the reliability and security of the Tx/Rx data before sending the data over the air:

- In the transmitter:
 - Data framing
 - Forward Error Correction (FEC) generation
 - Header Error Control (HEC) generation
 - Cyclic Redundancy Check (CRC) generation
 - Key generation
 - Data encryption
 - Data whitening
- In the receiver:
 - Symbol timing recovery
 - Data deframing
 - FEC
 - HEC
 - CRC
 - Data decryption
 - Data dewatering

3.2 Bluetooth® 4.1 + EDR features

The CYW20705 supports Bluetooth® 4.1 + EDR and Low Energy, including the following options:

- A whitelist size of 25
- Enhanced Power Control
- HCI Read Encryption Key Size command

The CYW20705 provides full support for Bluetooth® 2.1 + EDR additional features:

- Secure Simple Pairing (SSP)
- Encryption Pause Resume (EPR)
- Enhance Inquiry Response (EIR)
- Link Supervision Time Out (LSTO)
- Sniff SubRating (SSR)
- Erroneous Data (ED)
- Packet Boundary Flag (PBF)

3.3 Frequency hopping generator

The frequency hopping sequence generator selects the correct hopping channel number, based on the link controller state, Bluetooth® clock, and device address.

3.4 Link control layer

The Link Control layer is part of the Bluetooth® link control functions implemented in dedicated logic in the Link Control Unit (LCU). This layer consists of the Command Controller that takes commands from the software and other controllers that are activated or configured by the Command Controller to perform the link control tasks. There are two major states—Standby and Connection. Each task establishes a different state in the Bluetooth® Link Controller. In addition, there are eight substates—Page, Page Scan, Inquiry, Inquiry Scan, Sniff, and Sniff Subrating.

3.5 Test mode support

The CYW20705 fully supports Bluetooth® Test Mode.

In addition to the standard Bluetooth® Test mode, the device supports enhanced testing features to simplify RF debugging and qualification and type approval testing.

These test features include:

- Fixed frequency carrier wave (unmodulated) transmission
 - Simplifies some type approval measurements (Japan)
 - Aids in transmitter performance analysis
- Fixed frequency constant receiver mode
 - Directs receiver output to I/O pin
 - Allows for direct BER measurements using standard RF test equipment
 - Facilitates spurious emissions testing for receive mode
- Fixed frequency constant bit stream transmission
 - Unmodulated, 8-bit fixed pattern, PRBS-9, or PRBS-15
 - Enables modulated signal measurements with standard RF test equipment
- Packetized connectionless transmitter test
 - Hopping or fixed frequency
 - Multiple packet types supported
 - Multiple data patterns supported
- Packetized connectionless receiver test
 - Fixed frequency
 - Multiple packet types supported
 - Multiple data patterns supported

3.6 Power management unit

The Power Management Unit (PMU) provides power management features that can be invoked through power management registers or packet handling in the baseband core. This section contains descriptions of the PMU features.

3.6.1 RF power management

The BBC generates power-down control signals for the transmit path, receive path, PLL, and power amplifier to the 2.4 GHz transceiver. The transceiver then processes the power-down functions, accordingly.

3.6.2 Host controller power management

The host can place the device in a sleep state, in which all nonessential blocks are powered off and all nonessential clocks are disabled. Power to the digital core is maintained so that the state of the registers and RAM is not lost. In addition, the LPO clock is applied to the internal sleep controller so that the chip can wake automatically at a specified time or based on signaling from the host. The goal is to limit the current consumption to a minimum, while maintaining the ability to wake up and resume a connection with minimal latency.

If a scan or sniff session is enabled while the device is in Sleep mode, the device automatically will wake up for the scan/sniff event, then go back to sleep when the event is done. In this case, the device uses its internal LPO-based timers to trigger the periodic wake up. While in Sleep mode, the transports are idle. However, the host can signal the device to wake up at any time. If signaled to wake up while a scan or sniff session is in progress, the session continues but the device will not sleep between scan/sniff events. Once Sleep mode is enabled, the wake signaling mechanism can also be thought of as a sleep signaling mechanism, since removing the wake status will often cause the device to sleep.

In addition to a Bluetooth® device wake signaling mechanism, there is a host wake signaling mechanism. This feature provides a way for the Bluetooth® device to wake up a host that is in a reduced power state.

There are two mechanisms for the device and the host to signal wake status to each other:

USB	When running in USB mode, the device supports the USB version 2.0 full-speed specification, suspend/resume signaling, as well as remote wake-up signaling for power control.
Bluetooth® WAKE (BT_WAKE) and Host WAKE (and HOST_WAKE) signaling	The BT_WAKE pin (GPIO_0) allows the host to wake the BT device, and HOST_WAKE (GPIO_1) is an output that allows the BT device to wake the host.

When running in SPI mode, the CYW20705 has a mode where it enters Sleep mode when there is no activity on the SPI interface for a specified (programmable) amount of time. Idle mode is detected when the SPI_CSN is left deasserted. Whether to sleep on an idle interface and the amount of time to wait before entering Sleep mode can be programmed by the host. Once the CYW20705 enters sleep, the host can wake it by asserting SPI_CSN. If the host decides to sleep, the CYW20705 will wake up the host by asserting SPI_INT when it has data for it.

Note: Successful operation of the power management handshaking signals requires coordinated support between the device firmware and the host software.

Table 1 Power control pin summary

Pin	Direction	Description
BT_WAKE (GPIO_0)	Host output BT input	<p>Bluetooth® device wake-up: Signal from the host to the Bluetooth® device that the host requires attention.</p> <ul style="list-style-type: none"> • Asserted = Bluetooth® device must wake up or remain awake. • Deasserted = Bluetooth® device may sleep when sleep criteria are met. <p>The polarity of this signal is software configurable and can be asserted high or low. By default, BT_WAKE is active-low (if BT-WAKE is low it requires the device to wake up or remain awake). For USB applications, this can be used for setting Airport mode (radio disable mode).</p>
HOST_WAKE (GPIO_1)	BT output Host input	<p>Host wake-up. Signal from the Bluetooth® device to the host indicating that Bluetooth® device requires attention.</p> <ul style="list-style-type: none"> • Asserted = Host device must wake up or remain awake. • Deasserted = Host device may sleep when sleep criteria are met. <p>The polarity of this signal is software configurable and can be asserted high or low.</p>
CLK_REQ (GPIO_5)	BT output	<p>Clock request</p> <ul style="list-style-type: none"> • Asserted = External clock reference required • Deasserted = External clock reference may be powered down <p>For the CYW20705A1KWFBG, the polarity of CLK_REQ is active low. For CYW20705B0KWFBG, the CLK_REQ function is only available as a configurable feature after firmware boot, which means it cannot be used to request a clock at boot time.</p>
REG_EN	BT input	<p>Enables the internal preregulator and main regulator outputs. REG_EN is active-high.</p> <ul style="list-style-type: none"> • 1 = Enabled • 0 = Disabled

3.6.3 BBC power management

The device provides the following low-power operations for the BBC:

- Physical layer packet handling turns RF on and off dynamically within packet TX and RX.
- Bluetooth® specified low-power connection mode (Sniff). While in this low-power connection mode, the device runs on the Low Power Oscillator and wakes up after a predefined time period.

3.6.4 Backdrive protection

The CYW20705 provides a backdrive protection feature that allows the device to be turned off while the host and other devices in the system remain operational. When the device is not needed in the system, VDD_RF and VDDC are shut down and VDDO remains powered. This allows the device to be effectively off, while keeping the I/O pins powered so that they do not draw extra current from other devices connected to the I/O.

Notes:

VDD_RF collectively refers to the VDDTF, VDDIF, VDDLNA, VDDPX, and VDDRF RF power supplies.

Never apply voltage to I/O pins if VDDO is not applied.

During the low power shutdown state and as long as VDDO remains applied to the device, all outputs are tristated and all digital and analog clocks are disabled. Input voltages must remain within the limits defined for normal operation. This is done to either prevent current draw and back loading on digital signals in the system. It also enables the device to be fully integrated in an embedded device and take full advantage of the lowest power savings modes. If VDDC is powered up externally (not connected to VREG), VDDC requires 750K ohms to ground during low-power shutdown. If VDDC is powered up by VREG, VDDC does not require 750K ohms to ground because the internal main LDO has about 750 K ohms to ground when turned off.

Several signals, including the frequency reference input (XTAL_IN) and external LPO input (LPO_IN), are designed to be high-impedance inputs that will not load down the driving signal, even if VDDO power is not applied to the chip. The other signals with back drive prevention are RST_N, COEX_IN, PCM_SYNC, PCM_CLK, PCM_OUT, PCM_IN, UART_RTS_N, UART_CTS_N, UART_RXD, UART_TXD, GPIO_0, GPIO_1, GPIO_4, GPIO_7, HUSB_DP, HUSB_DN, CFG_SEL, and OTP_DIS.

All other I/O signals must remain at VSS until VDDO is applied. Failing to do this can result in unreliable startup behavior.

When powered on, using REG_EN is the same as applying power to the CYW20705. The device does not have information about its state before being powered-down.

3.7 Adaptive frequency hopping

The CYW20705 supports host channel classification and dynamic channel classification Adaptive Frequency Hopping (AFH) schemes, as defined in the Bluetooth® specification.

Host channel classification enables the host to set a predefined hopping map for the device to follow.

If dynamic channel classification is enabled, the device gathers link quality statistics on a channel-by-channel basis to facilitate channel assessment and channel map selection. To provide a more accurate frequency hop map, link quality is determined using both RF and baseband signal processing.

3.8 Collaborative coexistence

The CYW20705 provides extensions and collaborative coexistence to the standard Bluetooth® AFH for direct communication with WLAN devices. Collaborative coexistence enables WLAN and Bluetooth® to operate simultaneously in a single device. The device supports industry-standard coexistence signaling, including 802.15.2, and supports Infineon and third-party WLAN solutions.

Using a multitiered prioritization approach, relative priorities between data types and applications can be set. This approach maximizes the performance-WLAN data throughput vs. voice quality vs. link performance.

A PA shutdown pin is available to allow full external control of the RF output for other types of coexistence, such as WIMAX.

3.9 Serial enhanced coexistence interface

The Serial Enhanced Coexistence Interface (Serial ECI or SECI) is a proprietary Infineon interface between Infineon WLAN devices and Bluetooth® devices. It is an optional replacement to the legacy 3- or 4-wire coexistence feature, which is also available.

The following key features are associated with the interface:

- Enhanced coexistence data can be exchanged over a two-wire interface, one serial input (SECI_IN), and one serial output (SECI_OUT). The pad configuration registers must be programmed to choose the digital I/O pins that serve the SECI_IN and SECI_OUT function.
- It supports generic UART communication between WLAN and Bluetooth® devices.
- To conserve power, it is disabled when inactive.
- It supports automatic resynchronization upon waking from sleep mode.
- It supports a baud rate of up to 4 Mbps.

3.9.1 SECI advantages

The advantages of the SECI over the legacy 3-wire coexistence interface are:

- Only two wires are required: SECI_IN and SECI_OUT.
- Up to 48-bits of coexistence data can be exchanged.

Previous Infineon standalone Bluetooth® devices such as the BCM2070 supported only a 3-wire or 4-wire coexistence interface. Previous Infineon WLAN and Bluetooth® combination devices such as the CYW4325, CYW4329, and CYW4330 support an internal parallel enhanced coexistence interface for more efficient WLAN and Bluetooth® information exchange. The SECI allows enhanced coexistence information to be passed to a companion Infineon WLAN chip through a serial interface using fewer I/O than the 3-wire coexistence scheme. The 48-bits of the SECI significantly enhance WLAN and Bluetooth® coexistence by sharing such information as frequencies used and radio usage times. The exact contents of the SECI are Infineon confidential.

3.9.2 SECI I/O

The CYW20705 does not have dedicated SECI_IN or SECI_OUT pins, but the two pin functions can be mapped to the following digital I/O: the UART, GPIO, SPI Master (or BSC), PCM, and COEX pins. Pin function mapping is controlled by the config file that is either stored in NVRAM or downloaded directly into on-chip RAM from the host.

4 Microprocessor unit

4.1 Overview

The CYW20705 microprocessor unit runs software from the Link Control (LC) layer up to the Host Controller Interface (HCI). The microprocessor is based on the ARM7TDMIS 32-bit RISC processor with embedded ICE-RT debug and JTAG interface units. The microprocessor also includes 448 KB of ROM memory for program storage and boot ROM, 132 KB of RAM for data scratch-pad, and patch RAM code.

Note: The CYW20705A1KWFBG part only contains 384 KB of ROM and 112 KB of RAM.

The internal boot ROM provides flexibility during power-on reset to enable the same device to be used in various configurations, including automatic host transport selection from SPI, USB, or UART, with or without external NVRAM. At power-up, the lower layer protocol stack is executed from the internal ROM.

External patches can be applied to the ROM-based firmware to provide flexibility for bug fixes and features additions. These patches can be downloaded from the host to the device through the SPI, USB, or UART transports, or using external NVRAM. The device can also support the integration of user applications and profiles using an external serial flash memory.

4.2 NVRAM configuration data and storage

4.2.1 Serial interface

The CYW20705 includes an SPI master controller that can be used to access serial flash memory. The SPI master contains an AHB slave interface, transmit and receive FIFOs, and the SPI core PHY logic. Data is transferred to and from the module by the system CPU. DMA operation is not supported.

The CYW20705 supports serial flash vendors Atmel, MXIC, and Numonyx. The most commonly used parts from two of these vendors are:

- AT25BCM512B, manufactured by Atmel
- MX25V512ZUI-20G, manufactured by MXIC

4.3 EEPROM

The CYW20705 includes a Broadcom Serial Control (BSC) master interface. The BSC interface supports low-speed and fast mode devices and is compatible with I²C slave devices. Multiple I²C master devices and flexible wait state insertion by the master interface or slave devices are not supported. The CYW20705 provides 400 kHz, full speed clock support.

The BSC interface is programmed by the CPU to generate the following BSC transfer types on the bus:

- Read-only
- Write-only
- Combined read/write
- Combined write-read

NVRAM may contain configuration information about the customer application, including the following:

- Fractional-N information
- BD_ADDR
- UART baud rate
- USB enumeration information
- SDP service record
- File system information used for code, code patches, or data

4.4 External reset

The CYW20705 has an integrated power-on reset circuit which completely resets all circuits to a known power on state. This action can also be driven by an external reset signal, which can be used to externally control the device, forcing it into a power-on reset state. The RST_N signal input is an active-low signal for all versions of the CYW20705. The CYW20705 requires an external pull-up resistor on the RST_N input. Alternatively, the RST_N input can be connected to REG_EN or driven directly by a host GPIO.

4.5 One-time programmable memory

The CYW20705 includes a One-Time Programmable (OTP) memory, allowing manufacturing customization and avoiding the need for an on-board NVRAM. If customization is not required, then the OTP does not need to be programmed. Whether the OTP is programmed or not, it is disabled after the boot process completes to save power.

The OTP size is 128 bytes.

The OTP is designed to store a minimal amount of information. Aside from OTP data, most user configuration information will be downloaded into RAM after the CYW20705 boots up and is ready for host transport communication. The OTP contents are limited to:

- Parameters required prior to downloading user configuration to RAM.
- Parameters unique to each part and each customer (i.e., the BD_ADDR, software license key, and USB PID/VID).

The OTP memory is particularly useful in a PC design with USB transport capability because:

- Some customer-specific information must be configured before enumerating the part on the USB transport.
- Part or customer unique information (BD_ADDR, software license key, and USB PID/VID) do not need to be stored on the host system.

4.5.1 Contents

The following are typical parameters programmed into the OTP memory:

- BD_ADDR
- Software license key
- USB PID/VID
- USB bus/self-powered status
- Output power calibration
- Frequency trimming
- Initial status LED drive configuration

The OTP contents also include a static error correction table to improve yield during the programming process as well as forward error correction codes to eliminate any long-term reliability problems. The OTP contents associated with error correction are not visible by customers.

4.5.2 Programming

OTP memory programming takes place through a combination of Infineon software integrated with the manufacturing test software and code embedded in CYW20705 firmware.

Programming the OTP requires a 3.3V supply. The OTP programming supply comes from the VDD_USB pin. For applications where the OTP is most useful, such as the USB transport application for the PC market, the 3.3V is already required for USB operation from the VDD_USB pin. The OTP power supply is allowed to be as low as 1.8 V to be able to read the contents. See **Table 2** for the OTP memory programming supply voltage requirements.

The OTP is enabled by default by setting OTP_DIS to low using an internal pull-down resistor. Leave this pin floating for a default configuration. To disable the OTP, set the OTP_DIS pin to active high. This pin can be configured from the HW to enable or disable OTP.

Typically it won't be necessary to disable the OTP memory, even if it is not programmed during manufacturing. The OTP_DIS package ball only needs to be tied to high if recommended by Infineon.

Table 2 OTP programming supply voltage requirements^[1]

Supply	Minimum ^[2]	Typical	Maximum ^[2]	Unit
VDD_USB	TBD	TBD	TBD	V

Notes

1. The average and peak current consumptions during OTP memory programming are 20 mA and 70 mA, respectively.
2. Contact your Infineon representative for recommended minimum and maximum supply voltages.

5 Peripheral transport unit

This section discusses the PCM, USB, UART, and SPI peripheral interfaces. The CYW20705 has a 1040 byte transmit and receive fifo, which is large enough to hold the entire payload of the largest EDR BT packet (3-DH5).

5.1 PCM interface

The CYW20705 PCM interface can connect to linear PCM codec devices in master or slave mode. In master mode, the device generates the PCM_BCLK and PCM_SYNC signals. In slave mode, these signals are provided by another master on the PCM interface as inputs to the device.

The device supports up to three SCO or eSCO channels through the PCM interface and each channel can be independently mapped to any available slot in a frame.

The host can adjust the PCM interface configuration using vendor-specific HCI commands or it can be setup in the configuration file.

5.1.1 System diagram

Figure 4 shows options for connecting the device to a PCM codec device as a master or a slave.

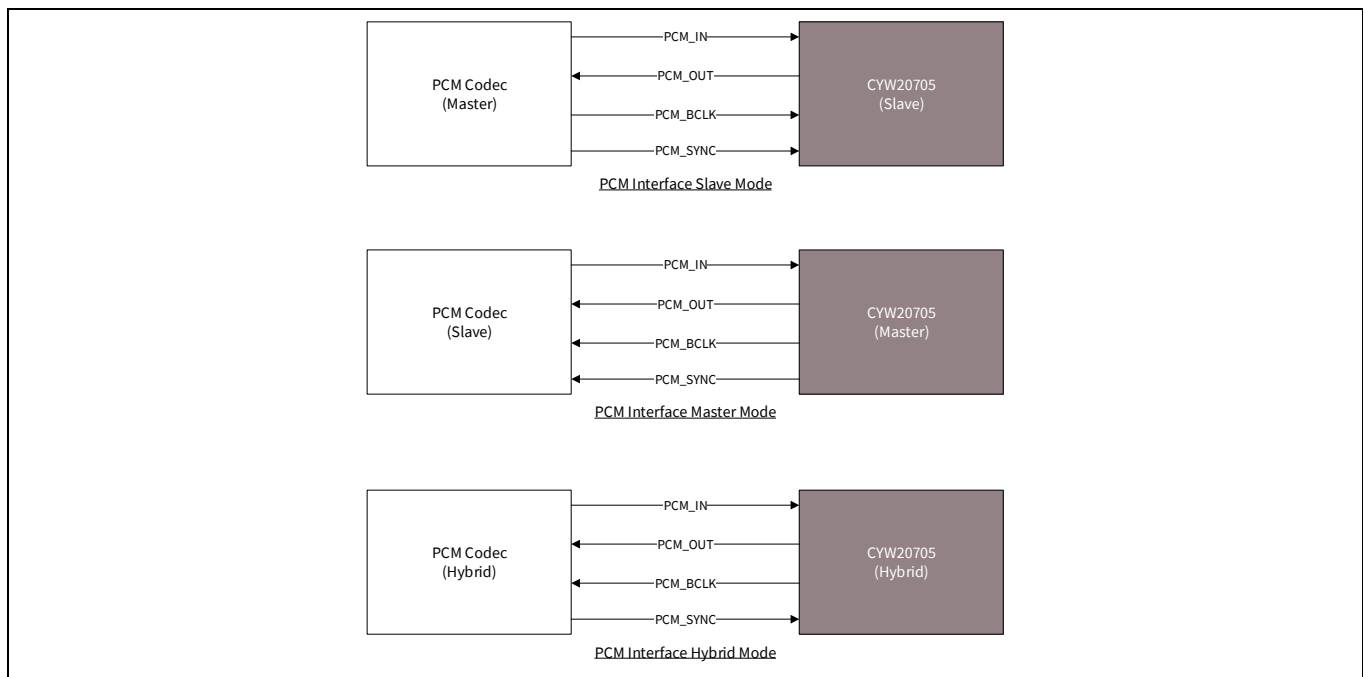


Figure 4 PCM interface with linear PCM codec

5.1.2 Slot mapping

The device supports up to three simultaneous, full-duplex SCO or eSCO channels. These channels are time-multiplexed onto the PCM interface using a time slotting scheme based on the audio sampling rate, as described in [Table 3](#).

Table 3 PCM interface time slotting scheme

Audio sample rate	Time slotting scheme
8 kHz	The number of slots depends on the selected interface rate, as follows: Interface rate Slot 128 1 256 2 512 4 1024 8 2048 16
16 kHz	The number of slots depends on the selected interface rate, as follows: Interface rate Slot 256 1 512 2 1024 4 2048 8

Transmit and receive PCM data from an SCO channel is always mapped to the same slot. The PCM data output driver tri-states its output on unused slots to allow other devices to share the same PCM interface signals. The data output driver tri-states its output after the falling edge of the PCM clock during the last bit of the slot.

5.1.3 Wideband speech

The CYW20705 provides support for Wideband Speech (WBS) in two ways:

- Transparent mode :

The host encodes WBS packets and the encoded packets are transferred over the PCM bus for SCO or eSCO voice connections. In Transparent mode, the PCM bus is typically configured in master mode for a 4 kHz sync rate with 16-bit samples, resulting in a 64 kbps bit rate.

- On-chip SmartAudio technology:

The CYW20705 can perform Subband-Codec (SBC) encoding and decoding of linear 16 bits at 16 kHz (256 kbps rate) transferred over the PCM bus.

5.1.4 Frame synchronization

The device supports both short and long frame synchronization types in both master and slave configurations. In short frame synchronization mode, the frame synchronization signal is an active-high pulse at the 8 kHz audio frame rate (which is a single bit period in width) and synchronized to the rising edge of the bit clock. The PCM slave expects PCM_SYNC to be high on the falling edge of the bit clock and the first bit of the first slot to start at the next rising edge of the clock. In the long frame synchronization mode, the frame synchronization signal is an active-high pulse at the 8 kHz audio frame rate. However, the duration is 3-bit periods and the pulse starts coincident with the first bit of the first slot.

5.1.5 Data formatting

The device can be configured to generate and accept several different data formats. The device uses 13 of the 16 bits in each PCM frame. The location and order of these 13 bits is configurable to support various data formats on the PCM interface. The remaining three bits are ignored on the input, and may be filled with zeros, ones, a sign bit, or a programmed value on the output. The default format is 13-bit two's complement data, left justified, and clocked most significant bit first.

5.2 HCI transport detection configuration

The CYW20705 supports the following interface types for the HCI transport from the host:

- UART (H4 and H5)
- USB
- SPI

Only one host interface can be active at a time. The firmware performs a transport detect function at boot-time to determine which host is the active transport. It can auto-detect UART and USB interfaces, but the SPI interface must be selected by strapping the SCL pin to 0.

The complete algorithm is summarized as follows:

1. Determine if SCL is pulled low. If it is, select SPI as HCI host transport.
2. Determine if any local NVRAM contains a valid configuration file. If it does and a transport configuration entry is present, select the active transport according to entry, and then exit the transport detection routine.
3. Look for start-of-frame (SOF) on the USB interface. If it is present, select USB.
4. Look for CTS_N = 0 on the UART interface. If it is present, select UART.
5. Repeat **Step 3** and **Step 4** until transport is determined.

5.3 USB interface

5.3.1 Features

The following USB interface features are supported:

- USB Protocol, Revision 2.0, full-speed compliant including the hub
- Optional hub compound device with up to three device cores internal to device.
- Bus or self-power, dynamic configuration for the hub
- Global and selective suspend and resume with remote wakeup
- Bluetooth® HCI
- HID, DFU, UHE (proprietary method to emulate an HID device at system boot)
- Integrated detach resistor

5.3.2 Operation

Note: The USB and HCI UART interfaces cannot be used simultaneously. For designs that do not use the USB interface, VDD_USB, HUSB_DP and HUSB_DN must be connected to ground.

The CYW20705 can be configured to boot up as either a single USB peripheral or a USB hub with several USB peripherals attached. As a single peripheral, the host detects a single USB Bluetooth® device. In Hub mode, the host detects a hub with one to three of the ports already connected to USB devices (see **Figure 5**).

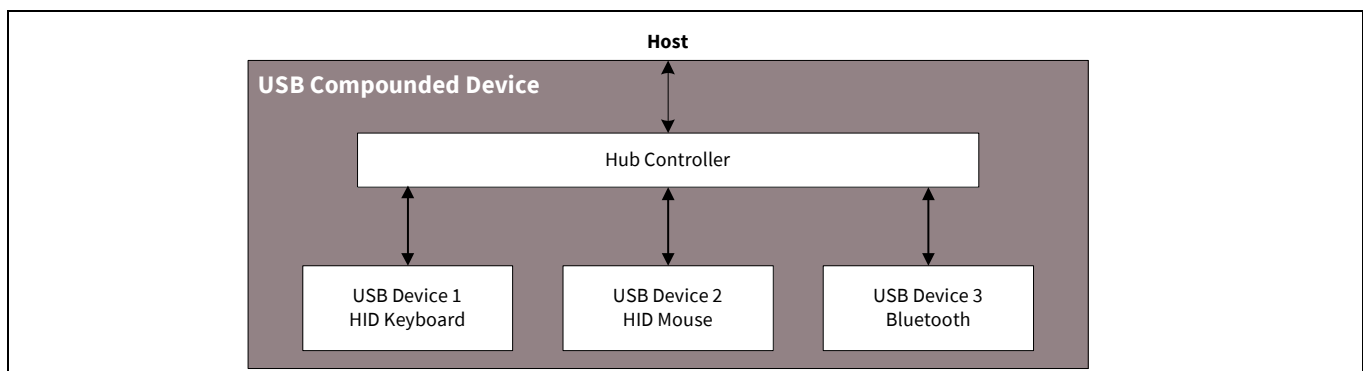


Figure 5 USB compounded device configuration

Peripheral transport unit

Depending on the desired hub mode configuration, the CYW20705 can boot up showing the three ports connected to logical USB devices internal to the CYW20705—a generic Bluetooth® device, a mouse, and a keyboard. In this mode, the mouse and keyboard are emulated devices, since they connect to real HID devices via a Bluetooth® link. The Bluetooth® link to these HID devices is hidden from the USB host. To the host, the mouse and/or keyboard appear to be directly connected to the USB port. This Infineon proprietary architecture is called USB HID Emulation (UHE).

The USB device, configuration, and string descriptors are fully programmable, allowing manufacturers to customize the descriptors, including vendor and product IDs, the CYW20705 uses to identify itself on the USB port. To make custom USB descriptor information available at boot time, stored it in external NVRAM.

Despite the mode of operation (Single Peripheral or Hub), the Bluetooth® device is configured to include the following interfaces:

Interface 0	Contains a Control endpoint (Endpoint 0x00) for HCI commands, a Bulk In Endpoint (Endpoint 0x82) for receiving ACL data, a Bulk Out Endpoint (Endpoint 0x02) for transmitting ACL data, and an Interrupt Endpoint (Endpoint 0x81) for HCI events.
Interface 1	Contains Isochronous In and Out endpoints (Endpoints 0x83 and 0x03) for SCO traffic. Several alternate Interface 1 settings are available for reserving the proper bandwidth of isochronous data (depending on the application).
Interface 2	Contains Bulk In and Bulk Out endpoints (Endpoints 0x84 and 0x04) used for proprietary testing and debugging purposes. These endpoints can be ignored during normal operation.

5.3.3 USB hub and UHE support

The CYW20705 supports the USB hub and device model (USB, Revision 2.0, full-speed compliant). Optional mouse and keyboard devices utilize Infineon proprietary USB HID Emulation (UHE) architecture, which allows these devices appear as standalone HID devices even though connected through a Bluetooth® link.

The presence of UHE devices requires the hub to be enabled. The CYW20705 cannot appear as a single keyboard or a single mouse device without the hub. Once either mouse or keyboard UHE device is enabled, the hub must also be enabled.

When the hub is enabled, the CYW20705 handles all standard USB functions for the following devices:

- HID keyboard
- HID mouse
- Bluetooth®

All hub and device descriptors are firmware-programmable. This USB compound device configuration (see [Figure 5 on page 22](#)) supports up to three downstream ports. This configuration can also be programmed to a single USB device core. The device automatically detects activity on the USB interface when connected. Therefore, no special configuration is needed to select HCI as the transport.

The hub's downstream port definition is as follows:

- Port 1 USB lite device core (for HID applications)
- Port 2 USB lite device core (for HID applications)
- Port 3 USB full device core (for Bluetooth® applications)

When operating in Hub mode, all three internal devices do not have to be enabled. Each internal USB device can be optionally enabled. The configuration record in NVRAM determines which devices are present.

5.4 UART interface

The UART physical interface is a standard, 4-wire interface (RX, TX, RTS, CTS) with adjustable baud rates from 9600 bps to 4.0 Mbps. The interface features an automatic baud rate detection capability that returns a baud rate selection. Alternatively, the baud rate can be selected via a vendor-specific UART HCI command. The interface supports Bluetooth® UART HCI (H4) specifications. The default baud rate for H4 is 115.2 Kbaud.

The following baud rates are supported:

- 9600
- 14400
- 19200
- 28800
- 38400
- 57600
- 115200
- 230400
- 460800
- 921600
- 144444
- 150000
- 2000000
- 3000000
- 3250000
- 3692000
- 4000000

Normally, the UART baud rate is set by a configuration record downloaded after reset or by automatic baud rate detection. The host does not need to adjust the baud rate. Support for changing the baud rate during normal HCI UART operation is provided through a vendor-specific command.

The CYW20705 UART operates with the host UART correctly, provided the combined baud rate error of the two devices is within $\pm 2\%$.

5.4.1 HCI 3-wire transport (UART H5)

The CYW20705 supports H5 UART transport for serial UART communications. H5 reduces the number of signal lines required by eliminating CTS and RTS, when compared to H4.

H5 requires the use of an external LPO. CTS must be pulled low.

5.5 SPI

The CYW20705 supports a slave SPI HCI transport with an input clock range of up to 16 MHz. Higher clock rates may be possible. The physical interface between the SPI master and the CYW20705 consists of the four SPI signals (SPI_CSB, SPI_CLK, SPI_SI, and SPI_SO) and one interrupt signal (SPI_INT). The CYW20705 can be configured to accept active-low or active-high polarity on the SPI_CSB chip select signal. It can also be configured to drive an active-low or active-high SPI_INT interrupt signal. Bit ordering on the SPI_SI and SPI_SO data lines can be configured as either little-endian or big-endian. Additionally, proprietary sleep mode, half-duplex handshaking is implemented between the SPI master and the CYW20705.

SPI_INT is required to negotiate the start of a transaction. The SPI interface does not require flow control in the middle of a payload. The FIFO is large enough to handle the largest packet size. Only the SPI master can stop the flow of bytes on the data lines, since it controls SPI_CSB and SPI_CLK. Flow control should be implemented in higher layer protocols.

5.6 Simultaneous UART transport and bridging

The CYW20705 supports UART or USB interfaces that can function as the host controller interface (HCI). Typically, a customer application would choose one of the two interfaces and the other would be idle. The CYW20705 allows the UART transport to operate simultaneously with the USB. To operate this way, the assumption is that the USB would function as the primary host transport, while the UART would function as a secondary communication channel that can operate at the same time. This can enable the following applications:

- Bridging primary HCI transport traffic to another device via the UART
- Generic communication to an external device for a vendor-supported application via the UART

Simultaneous UART transport and bridging is enabled by including:

- Two dedicated 64-byte FIFOs, one for the input and one for the output
 - Additional DMA channels
 - Additional vendor-supported commands over the HCI transport

6 Frequency references

The CYW20705 uses two different frequency references for normal and low-power operational modes. An external crystal or frequency reference driven by a Temperature Compensated Crystal Oscillator (TCXO) signal is used to generate the radio frequencies and normal operation clocking. Either an external 32.768 kHz or fully integrated internal Low-Power Oscillator (LPO) is used for low-power mode timing.

6.1 Crystal interface and clock generation

The CYW20705 uses a fractional-N synthesizer to generate the radio frequencies, clocks, and data/packet timing, enabling it to operate from any of a multitude of frequency sources. The source can be external, such as a TCXO, or a crystal interfaced directly to the device.

The default frequency reference setting is for a 20 MHz crystal or TCXO. The signal characteristics for the crystal interface are listed in [Table 4](#).

Table 4 Crystal interface signal characteristics

Parameter	Crystal	External frequency reference	Units
Acceptable frequencies	12–52 MHz in 2 ppm ^[3] steps	12–52 MHz in 2 ppm ^[3] steps	–
Crystal load capacitance	12 (typical)	N/A	pF
ESR	60 (max)	–	Ω
Power dissipation	200 (max)	–	μW
Input signal amplitude	N/A	400 to 2000 2000 to 3300 (requires a 10 pF DC blocking capacitor to attenuate the signal)	mVp-p
Signal type	N/A	Square-wave or sine-wave	–
Input impedance	N/A	≥1 ≤2	MΩ pF
Phase noise @ 1 kHz @ 10 kHz @ 100 kHz @ 1 MHz	N/A N/A N/A N/A	– < –120 ^[4] < –131 ^[4] < –136 ^[4] < –136 ^[4]	– dBc/Hz dBc/Hz dBc/Hz dBc/Hz
Auto-detection frequencies when using external LPO ^[5]	12, 13, 14.4, 15.36, 16.2, 16.8, 18, 19.2, 19.44, 19.68, 19.8, 20, 24, 26, 33.6, 37.4, and 38.4	12, 13, 14.4, 15.36, 16.2, 16.8, 18, 19.2, 19.44, 19.68, 19.8, 20, 24, 26, 33.6, 37.4, and 38.4	MHz
Tolerance without frequency trimming ^[6]	±20	±20	ppm
Initial frequency tolerance trimming range	±50	±50	ppm

Notes

- The frequency step size is approximately 80 Hz resolution.
- With a 26 MHz reference clock. For a 13 MHz clock, subtract 6 dB. For a 52 MHz clock, add 6 dB.
- Auto-detection of the frequency requires the crystal or external frequency reference to have less than ±50 ppm of variation and also requires an external LPO frequency which has less than ±250 ppm of variation at the time of detection.
- AT-Cut crystal or TXCO recommended.

6.2 Crystal oscillator

The CYW20705 can use an external crystal to provide a frequency reference. The recommended configuration for the crystal oscillator, including all external components, is shown in [Figure 6](#).

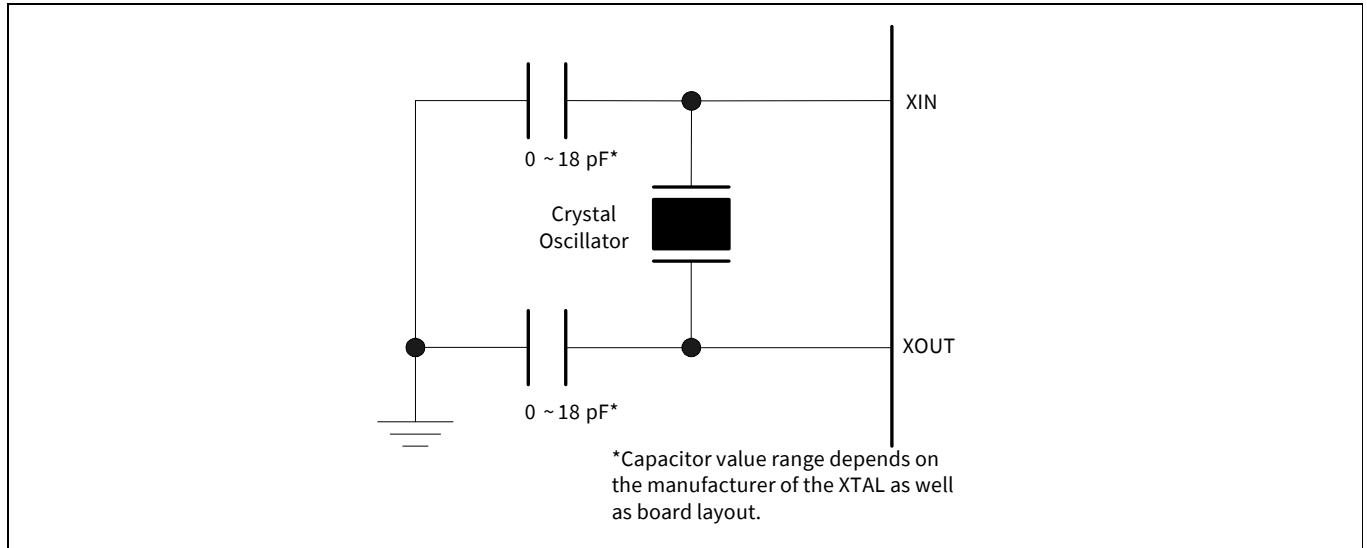


Figure 6 Recommended oscillator configuration

6.3 External frequency reference

An external frequency reference, such as VDD_RF, collectively refers to several RF power supplies generated by a TCXO signal that may be directly connected to the crystal input pin on the CYW20705, as shown in [Figure 7](#). The external frequency reference input is designed to not change loading on the TCXO when the CYW20705 is powered up or powered down.

When using the CYW20705 with the TXCO OR gate option, GPIO 6 must be driven active high or active low. Excessive leakage current results if GPIO6 is allowed to float.

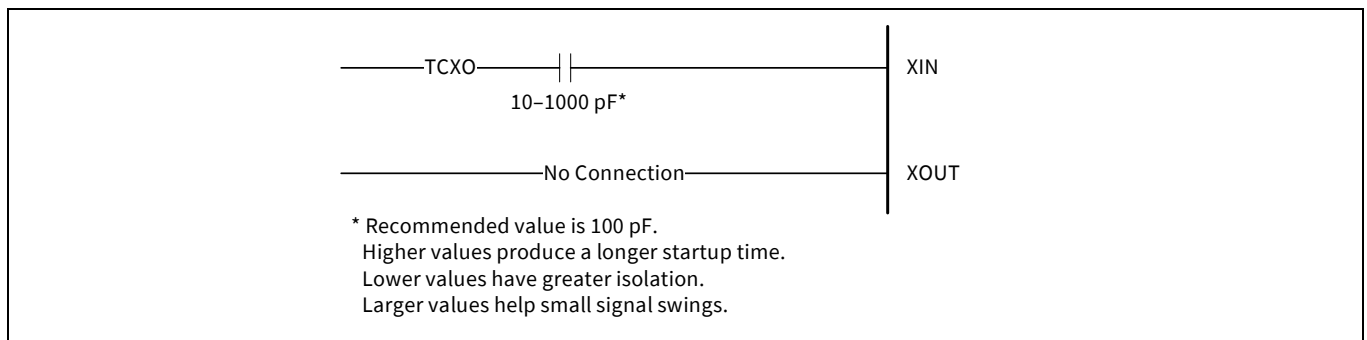


Figure 7 Recommended TCXO connection

6.3.1 TCXO clock request support

If the application utilizes an external TCXO as a clock reference, the CYW20705 provides a clock request output to allow the system to power off the TCXO when not in use.

6.4 Frequency selection

Any frequency within the range specified for the crystal and TCXO reference can be used. These frequencies include standard handset reference frequencies (12, 13, 14.4, 15.36, 16.2, 16.8, 18, 19.2, 19.44, 19.68, 19.8, 20, 24, 26, 33.6, 37.4, and 38.4 MHz) and any frequency between these reference frequencies, as desired by the system designer. Since bit timing is derived from the reference frequency, the CYW20705 must have the reference frequency set correctly in order for any of the USB, UART, and PCM interfaces to function properly.

The CYW20705 reference frequency can be set in one of the following ways.

- Use the default 20 MHz frequency by leaving the CFG_SEL pin unconnected or by strapping it high. The CFG_SEL pin is internally pulled up in the CYW20705.
- Use the 26 MHz option by setting CFG_SEL low.
- Designate the reference frequency in external NVRAM
- Auto-detect the standard handset reference frequencies using an external LPO clock

For PC and embedded applications where there typically won't be an LPO clock, if autobaud is enabled, the CYW20705 will use XTAL to sync up with the UART, thus allowing a user to download a firmware configuration without having to make a crystal frequency assumption. Alternatively, the CYW20705 will upload the firmware configuration from an attached NVRAM (if one is attached) and use it to make a crystal frequency assumption. Finally, if neither of the above is true, then the CYW20705 will look at the status of the CFG_SEL pin and decide whether to choose 20 or 26 MHz. Autobaud is only valid for UART applications.

The 20 MHz choice is only a default in the sense that if the pin is left floating, it will be pulled up internally to support the 20 MHz option.

If the application requires a frequency other than the default, the value can be stored in an external NVRAM. Programming the reference frequency in NVRAM provides the maximum flexibility in the selection of the reference frequency, since any frequency within the specified range for crystal and external frequency reference can be used. During power-on reset (POR), the device downloads the parameter settings stored in NVRAM, which can be programmed to include the reference frequency and frequency trim values. Typically, this is how a PC Bluetooth® application is configured.

For applications such as handsets and portable smart communication devices, where the reference frequency is one of the standard frequencies commonly used, the CYW20705 automatically detects the reference frequency and programs itself to the correct reference frequency. In order for auto-frequency detection to work properly, the CYW20705 must have a valid and stable 32.768 kHz external LPO clock present during POR. This eliminates the need for NVRAM in applications where the external LPO clock is available and an external NVRAM is typically not used.

6.5 Frequency trimming

The CYW20705 uses a fractional-N synthesizer to digitally fine-tune the frequency reference input to within ± 2 ppm tuning accuracy. This trimming function can be applied to either the crystal or an external frequency source such as a TCXO. Unlike the typical crystal-trimming methods used, the CYW20705 changes the frequency using a fully digital implementation and is much more stable and unaffected by crystal characteristics or temperature. Input impedance and loading characteristics remain unchanged on the TCXO or crystal during the trimming process and are unaffected by process and temperature variations.

The option to use or not use frequency trimming is based on the system designer's cost trade-off between bill-of-materials (BOM) cost of the crystal and the added manufacturing cost associated with frequency trimming. The frequency trimming value can either be stored in the host and written to the CYW20705 as a vendor-specific HCI command or stored in NVRAM and subsequently recalled during POR.

Frequency trimming is not a substitute for the poor use of tuning capacitors at an crystal oscillator (XTAL). Occasionally, trimming can help alleviate hardware changes.

6.6 LPO clock interface

The LPO clock is the second frequency reference that the CYW20705 uses to provide low-power mode timing for sniff. The LPO clock can be provided to the device externally, from a 32.768 kHz source or the CYW20705 can operate using the internal LPO clock.

The LPO can be internally driven from the main clock. However, sleep current will be impacted.

The accuracy of the internal LPO limits the maximum sniff intervals.

Table 5 External LPO signal requirements

Parameter	External LPO clock	Units
Nominal input frequency	32.768	kHz
Frequency accuracy	±250	ppm
Input signal amplitude	200 to 3600	mVp-p
Signal type	Square-wave or sine-wave	–
Input impedance (when power is applied or power is off)	>100 <5	kΩ pF

7 Pin-out and signal descriptions

7.1 Pin descriptions

Table 6 CYW20705 signal descriptions

Signal	WFBGA pin (50-Ball)	I/O	Power domain	Description
Radio				
RES	F3	O	VDD_RF	External calibration resistor, 15 kΩ @ 1%
RFP	D1	I/O	VDD_RF	RF I/O antenna port
XIN	G2	I	VDD_RF	Crystal or reference input
XOUT	G3	O	VDD_RF	Crystal oscillator output
Analog				
LPO_IN	B4	I	VDDRF	External LPO input
Voltage regulators				
REG_EN	B2	I	VDDO	HV LDO and main enable
VBAT	A3	I	N/A	HV LDO input
VREGHV	A2	I/O	N/A	HV LDO output: main LDO input
VREG	A1	O	N/A	Main LDO output
Straps				
CFG_SEL	B8	I/O	VDDO	This pin is floating for the 20 MHz XTAL option and tied to ground for the 26 MHz XTAL option.
OTP_DIS	B7	I/O	VDDO	OTP disable pin. By default, leave this pin floating.
RST_N	A4	I	VDDO	Active-low reset input
TM0	–	I	VDDO	Clock request polarity select
TM1	–	I	VDDO	Internally connected to ground
TM2	E3	I	VDDO	Reserved: connect to ground.
Digital I/O				
GPIO_0	B5	I/O	VDDO	GPIO/BT_WAKE
GPIO_1	B3	I/O	VDDO	GPIO/HOST_WAKE.
GPIO_3	D8	I/O	VDDO	GPIO/LINK_IND Can be configured for active high or low as well as open drain.
GPIO_4	–	I/O	VDDO	GPIO
GPIO_5	F4	I/O	VDDO	GPIO/CLK_REQ TCXO-OR Function Out available on some packages. See Ordering information on page 51 .
GPIO_6	E4	I/O	VDDO	GPIO TCXO-OR Function In available on some packages. See Ordering information on page 51 .
GPIO_7	C7	I/O	VDDO	DETATCH/CARD_DETECT
UART_RXD	D7	I/O	VDDO	UART receive data
UART_TXD	F6	I/O	VDDO	UART transmit data
UART_RTS_N	E5	I/O	VDDO	UART request to send output
UART_CTS_N	G7	I/O	VDDO	UART clear to send input

Pin-out and signal descriptions

Table 6 CYW20705 signal descriptions (continued)

Signal	WFBGA pin (50-Ball)	I/O	Power domain	Description
SCL	F7	I/O	VDDO	BSC clock
SDA	E7	I/O	VDDO	BSC data
SPIM_CLK	E8	I/O	VDDO	Serial flash SPI clock
SPIM_CS_N	G8	I/O	VDDO	Serial flash active-low chip select
PCM_IN	G6	I/O	VDDO	PCM/I2S data input
PCM_OUT	F5	I/O	VDDO	PCM/I2S data output
PCM_CLK	G5	I/O	VDDO	PCM/I2S clock
PCM_SYNC	C4	I/O	VDDO	PCM sync/I2S word select
COEX_IN	B6	I/O	VDDO	Coexistence input
USB				
HUSB_DP	A8	I/O	VDD_USB	USB hub. If not used, connect to GND.
HUSB_DN	A7	I/O	VDD_USB	If not used, connect to GND.
Supplies				
VDDIF	B1	I	N/A	Radio IF PLL supply
VDDTF	C1	I	N/A	Radio PA supply
VDDLNA	E1	I	N/A	Radio LNA supply
VDDRF	F1	I	N/A	Radio supply
VDDPX	G1	I	N/A	Radio RF PLL supply
VDDC	A6	I	N/A	Core logic supply
VDDC	F8	I	N/A	Core logic supply
VDDC	–	I	N/A	Core logic supply
VDDO	G4	I	N/A	Digital I/O supply voltage
VDDO	A5	I	N/A	Digital I/O supply voltage
VDDO	E6	I	N/A	Digital I/O supply voltage
VDD_USB	C8	I	N/A	USB transceiver supply voltage. If not used, connect to GND.
VSS	C2	–	N/A	Ground
VSS	D2	–	N/A	Ground
VSS	F2	–	N/A	Ground
VSS	D3	–	N/A	Ground
VSS	C6	–	N/A	Ground
VSS	–	–	N/A	Ground
VSS	–	–	N/A	Ground

Ball grid arrays

8 Ball grid arrays

Figure 8 shows the top view of the following array:

- 50-ball 4.5 x 4 x 0.8 mm (WFBGA)

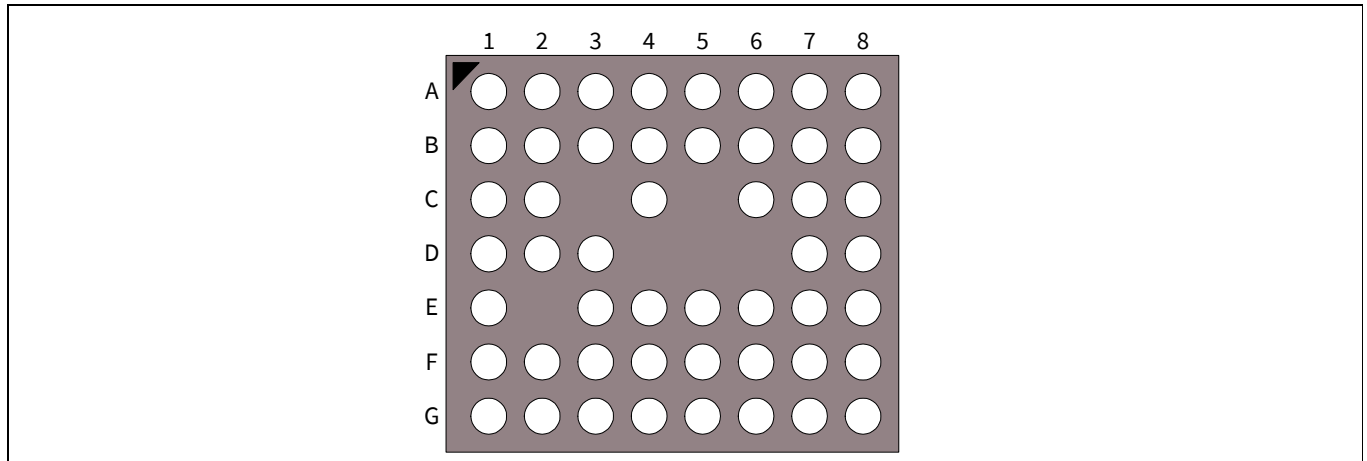


Figure 8 4.5 x 4 x 0.8 mm (WFBGA) array

Table 7 Ball-out for the 50-ball WFBGA

	1	2	3	4	5	6	7	8
A	VREG	VREGHV	VBAT	RST_N	VDDO	VDDC	HUSB_DN	HUSB_DP
B	VDDIF	REG_EN	GPIO_1	LPO_IN	GPIO_0	COEX_IN	OTP_DIS	CFG_SEL
C	VDDTF	VSS	–	PCM_SYNC	–	VSS	GPIO_7	VDD_USB
D	RFP	VSS	VSS	–	–	–	UART_RXD	GPIO_3
E	VDDLNA	–	TM2	GPIO_6	UART_RTS_N	VDDO	SDA	SPIM_CLK
F	VDDRF	VSS	RES	GPIO_5	PCM_OUT	UART_TXD	SCL	VDDC
G	VDDPX	XIN	XOUT	VDDO	PCM_CLK	PCM_IN	UART_CTS_N	SPIM_CS_N

9 Electrical characteristics

Note: All voltages listed in [Table 8](#) are referenced to V_{DD} .

Table 8 Absolute maximum voltages

Rating	Symbol	Minimum	Typical	Maximum	Unit
DC supply voltage for RF	VDD_RF ^[7]	–	1.22	1.32	V
DC supply voltage for core	VDDC	–	1.22	1.32	V
DC supply voltage for I/O	VDDO ^[8]	–	1.8	3.6	V
DC supply	VDDTF	–	1.12	3.3 ^[9]	V
Voltage on input or output pin	VIMAX, VIMIN	$V_{SS} - 0.3$	–	$VDDO + 0.3$	V
Storage temperature range	TSTG	–40	–	125	°C

Notes

- VDD_RF collectively refers to the VDDIF, VDDLNA, VDDPX, and VDDRF RF power supplies.
- If VDDO is not applied, voltage should never be applied to any digital I/O pins (I/O pins should never be driven or pulled high). The list of digital I/O pins includes the following (these pins are listed in [Pin-out and signal descriptions on page 30](#) with VDDO shown as their power domain):
GPIO[3], GPIO[5], GPIO[6]
SCL, SDA
N_MODE
SPIM_CS_N, SPIM_CLK
- VDDTF for Class 2 must be connected to VREG (main LDO output). VDDTF for Class 1 must be connected to VREGHV (HV LDO output) or an external voltage source. Refer to the Infineon compatibility guide for configuration details.

Table 9 Power supply

Parameter	Symbol	Minimum	Typical	Maximum	Unit
DC supply voltage for RF	VDD_RF ^[10]	1.159	1.22	1.281	V
DC supply noise for RF, from 100 kHz to 1 MHz	VDD_RF ^[11]	–	–	150	μV rms
DC supply voltage for core	VDDC	1.159	1.22	1.281	V
DC supply voltage for I/O	VDDO	1.7	–	3.6	V
DC supply voltage for USB	VDD_USB	3.0	3.3	3.6	V
DC supply	VDDTF ^[12]	1.12	–	3.0 ^[13]	V

Notes

- VDD_RF collectively refers to the VDDIF, VDDLNA, VDDPX, VDDLNA, VDDRF RF power supplies.
- Overall performance defined using integrated regulation.
- VDDTF for Class 2 must be connected to VREG (main LDO output). VDDTF for Class 1 must be connected to VREGHV (HV LDO output) or an external voltage source. Refer to the Infineon compatibility guide for configuration details. VDDTF requires a capacitor to ground. The value of the capacitor must be tuned to ensure optimal RF RX sensitivity. Typical 10 pF for BGA packages and 6.2 pF for wafer package. The value may depend on board layout.
- Can be 3.3 V if the output power is limited to 9 dBm.

Electrical characteristics

Table 10 High-voltage regulator (HV LDO) electrical specifications

Parameter	Minimum	Typical	Maximum	Unit
Input voltage	3.3	–	5.5	V
Output voltage	1.8	–	3.3	V
Max current load	–	–	95	mA
Load capacitance	1	–	10	μF
Load capacitor ESR	0.01	–	2	Ω
PSRR	20	–	40	dB
Turn-on time ($C_{load} = 2.2 \mu\text{F}$)	–	–	200	μs
Dropout voltage	–	–	200	mV

Table 11 Main regulator (main LDO) electrical specifications

Parameter	Minimum	Typical	Maximum	Unit
Input voltage	1.63	–	3.63	V
Output voltage	1.159	1.22	1.281	V
Load current	–	–	60	mA
Load capacitance	1	–	2.2	μF
ESR	0.1	–	0.5	Ω
Turn-on time	–	–	300	μs
PSRR	15	–	–	dB
Dropout voltage	–	–	200	mV

Table 12 Digital I/O characteristics

Characteristics	Symbol	Minimum	Typical	Maximum	Unit
Input low voltage (VDDO = 3.3 V)	V_{IL}	–	–	0.8	V
Input high voltage (VDDO = 3.3 V)	V_{IH}	2.0	–	–	V
Input low voltage (VDDO = 1.8 V)	V_{IL}	–	–	0.6	V
Input high voltage (VDDO = 1.8 V)	V_{IH}	1.1	–	–	V
Output low voltage	V_{OL}	–	–	0.4	V
Output high voltage	V_{OH}	VDDO – 0.4V	–	–	V
Input low current	I_{IL}	–	–	1.0	μA
Input high current	I_{IH}	–	–	1.0	μA
Output low current (VDDO = 3.3 V, $V_{OL} = 0.4 \text{ V}$)	I_{OL}	–	–	3.0	mA
Output high current (VDDO = 3.3 V, $V_{OH} = 2.9 \text{ V}$)	I_{OH}	–	–	3.0	mA
Output low current (VDDO = 1.8 V, $V_{OL} = 0.4 \text{ V}$)	I_{OL}	–	–	3.0	mA
Output high current (VDDO = 1.8 V, $V_{OH} = 1.4 \text{ V}$)	I_{OH}	–	–	3.0	mA
Input capacitance	C_{IN}	–	–	0.4	pF

Note: GPIO_3/LINK_IND has a 10 mA IOH or IOL driver current that can be used for an LED. By default, the drive strength settings specified in [Table 12](#) are for 3.3 V. To achieve the required drive strength for a VDDO of 2.5 V or 1.8 V, contact a Infineon technical support representative (see [IoT resources](#) for contact information).

Electrical characteristics

Table 13 Pad I/O characteristics^[14]

Pad name	Pull-up/Pull-down	Fail-safe
COEX_IN	Y	Y
PCM_CLK	Y	Y
PCM_OUT	Y	Y
PCM_IN	Y	Y
PCM_SYNC	Y	Y
UART_RTS_N	Y	Y
UART_CTS_N	Y	Y
UART_RXD	Y	Y
UART_TXD	Y	Y
GPIO_0	Y	Y
GPIO_1	Y	Y
GPIO_4	Y	Y
GPIO_7	Y	Y
RST_N	N/A	Y
USB D+	N/A	Y
USB D-	N/A	Y
CFG_SEL	Y	N
OTP_DIS	Y	N

Note

14.All digital I/O internal pull-up or pull-down values are around 60 kΩ. This does not include the USB signals.

Table 14 USB interface level

Parameter	Symbol	Minimum	Typical	Maximum	Unit
I/O supply voltage	VDD_USB	3.0	–	3.6	V
Supply current	Icchpf	–	–	500	mA
Input high voltage (driven)	Vih	2.0	–	–	V
Input high voltage (floating)	Vihz	2.7	–	3.6	V
Input low voltage	Vil	–	–	0.8	V
Differential input sensitivity	Vdi	0.2	–	–	V
Differential common-mode range	Vcm	0.8	–	2.5	V
Output low voltage	Vol	0.0	–	0.3	V
Output high voltage (driven)	Voh	2.8	–	3.6	V
Output signal crossover voltage	Vcrs	1.3	–	2.0	V

Electrical characteristics

Table 15. Current consumption—Class 1(10 dBm)

Operational mode	Conditions	Typical	Units
Receive (1 Mbps)	Current level during receive of a basic rate packet	31	mA
Transmit (1 Mbps)	Current level during transmit of a basic rate packet, GFSK output power = 10 dBm	65	mA
Receive (EDR)	Current level during receive of a 2 or 3 Mbps rate packet	32	mA
Transmit (EDR)	Current level during transmit of a 2 or 3 Mbps rate packet, GFSK output power = 10 dBm	59	mA
DM1/DH1	Average current during basic rate max throughput connection which includes only this packet type.	45	mA
DM3/DH3	Average current during basic rate max throughput connection which includes only this packet type.	46	mA
DM5/DH5	Average current during max basic rate throughput connection which includes only this packet type.	48	mA
HV1	Average current during SCO voice connection consisting of only this packet type. ACL channel is in 500 ms sniff.	38	mA
HV2	Average current during SCO voice connection consisting of only this packet type. ACL channel is in 500 ms sniff.	23	mA
HV3	Average current during SCO voice connection consisting of only this packet type. ACL channel is in 500 ms sniff.	17	mA
HCI only active	Average current when waiting for HCI command UART, USB, or SPI transports.	4.8	mA
Sleep	UART transport active, external LPO clock available.	55	μA
Sleep, HV Reg Bypass	UART transport active, external LPO clock available, HV LDO disabled and in bypass mode.	45	μA
Inquiry Scan (1.28 sec)	Periodic scan rate is 1.28 sec.	350	μA
Page Scan (R1)	Periodic scan rate is R1 (1.28 sec).	350	μA
Inquiry Scan + Page Scan (R1)	Both inquiry and page scans are interlaced together at 1.28 sec periodic scan rate.	630	μA
Sniff master (500 ms)	Attempt and timeout parameters set to 4. Quality connection which rarely requires more than minimum packet exchange.	175	μA
Sniff slave (500 ms)	Attempt and timeout parameters set to 4. Quality connection which rarely requires more than minimum packet exchange. Sniff master follows optimal sniff protocol of CYW20705 master.	160	μA
Sniff (500 ms) + Inquiry/ Page Scan (R1)	Same conditions as Sniff master and Page Scan (R1). Scan maybe either Inquiry Scan or Page Scan at 1.28 sec periodic scan rate.	455	μA
Sniff (500ms) + Inquiry Scan + Page Scan (R1)	Same conditions as Sniff master and Inquiry Scan + Page Scan.	760	μA

Electrical characteristics

Table 16 Current consumption—Class 2 (3 dBm)

Operational mode	Conditions	Typical	Units
Receive (1 Mbps)	Current level during receive of a basic rate packet	31	mA
Transmit (1 Mbps)	Current level during transmit of a basic rate packet, GFSK output power = 3 dBm	44	mA
Receive (EDR)	Current level during receive of a 2 or 3 Mbps rate packet	32	mA
Transmit (EDR)	Current level during transmit of a 2 or 3 Mbps rate packet, GFSK output power = 3 dBm	41	mA
DM1/DH1	Average current during basic rate max throughput connection which includes only this packet type.	35	mA
DM3/DH3	Average current during basic rate max throughput connection which includes only this packet type.	36	mA
DM5/DH5	Average current during max basic rate throughput connection which includes only this packet type.	37	mA
HV1	Average current during SCO voice connection consisting of only this packet type. ACL channel is in 500 ms sniff.	28	mA
HV2	Average current during SCO voice connection consisting of only this packet type. ACL channel is in 500 ms sniff.	17	mA
HV3	Average current during SCO voice connection consisting of only this packet type. ACL channel is in 500 ms sniff.	13	mA
HCI only active	Average current when waiting for HCI command UART, USB, or SPI transports.	4.8	mA
Sleep	UART transport active, external LPO clock available.	55	μA
Sleep, HV Reg Bypass	UART transport active, external LPO clock available, HV LDO disabled and in bypass mode.	45	μA
Inquiry Scan (1.28 sec)	Periodic scan rate is 1.28 sec.	350	μA
Page Scan (R1)	Periodic scan rate is R1 (1.28 sec).	350	μA
Inquiry Scan + Page Scan (R1)	Both inquiry and page scans are interlaced together at 1.28 sec periodic scan rate.	630	μA
Sniff master (500 ms)	Attempt and timeout parameters set to 4. Quality connection which rarely requires more than minimum packet exchange.	145	μA
Sniff slave (500 ms)	Attempt and timeout parameters set to 4. Quality connection which rarely requires more than minimum packet exchange. Sniff master follows optimal sniff protocol of CYW20705 master.	135	μA
Sniff (500 ms) + Inquiry/ Page Scan (R1)	Same conditions as Sniff master and Page Scan (R1). Scan maybe either Inquiry Scan or Page Scan at 1.28 sec periodic scan rate.	425	μA
Sniff (500 ms) + Inquiry Scan + Page Scan (R1)	Same conditions as Sniff master and Inquiry Scan + Page Scan.	730	μA

Table 17 Operating conditions

Parameter	Conditions	Minimum	Typical	Maximum	Unit
Temperature	Commercial	-30.0	-	85	°C
Power supply	RF, Core	1.14	1.22	1.32	V
PA supply (VDDTF)	Reduced power level	1.14	3.0	3.3	V

Electrical characteristics

9.1 RF specifications

Table 18 Receiver RF specifications^{[15], [16]}

Parameter	Conditions	Minimum	Typical ^[17]	Maximum	Unit
General					
Frequency range	–	2402	–	2480	MHz
RX sensitivity ^[18]	GFSK, 0.1% BER, 1 Mbps	–	–89	–85	dBm
	p/4-DQPSK, 0.01% BER, 2 Mbps	–	–91	–85	dBm
	8-DPSK, 0.01% BER, 3 Mbps	–	–86	–81	dBm
Maximum input	GFSK, 1 Mbps	–	–	–20	dBm
Maximum input	p/4-DQPSK, 8-DPSK, 2/3 Mbps	–	–	–20	dBm
Interference Performance					
C/I cochannel	GFSK, 0.1% BER	–	–	11	dB
C/I 1 MHz adjacent channel	GFSK, 0.1% BER	–	–	0	dB
C/I 2 MHz adjacent channel	GFSK, 0.1% BER	–	–	–30.0	dB
C/I ≥ 3 MHz adjacent channel	GFSK, 0.1% BER	–	–	–40.0	dB
C/I image channel	GFSK, 0.1% BER	–	–	–9.0	dB
C/I 1 MHz adjacent to image channel	GFSK, 0.1% BER	–	–	–20.0	dB
C/I cochannel	p/4-DQPSK, 0.1% BER	–	–	13	dB
C/I 1 MHz adjacent channel	p/4-DQPSK, 0.1% BER	–	–	0	dB
C/I 2 MHz adjacent channel	p/4-DQPSK, 0.1% BER	–	–	–30.0	dB
C/I ≥ 3 MHz adjacent channel	8-DPSK, 0.1% BER	–	–	–40.0	dB
C/I image channel	p/4-DQPSK, 0.1% BER	–	–	–7.0	dB
C/I 1 MHz adjacent to image channel	p/4-DQPSK, 0.1% BER	–	–	–20.0	dB
C/I cochannel	8-DPSK, 0.1% BER	–	–	21	dB
C/I 1 MHz adjacent channel	8-DPSK, 0.1% BER	–	–	5	dB
C/I 2 MHz adjacent channel	8-DPSK, 0.1% BER	–	–	–25.0	dB
C/I ≥ 3 MHz adjacent channel	8-DPSK, 0.1% BER	–	–	–33.0	dB
C/I Image channel	8-DPSK, 0.1% BER	–	–	0	dB
C/I 1 MHz adjacent to image channel	8-DPSK, 0.1% BER	–	–	–13.0	dB
Out-of-Band Blocking Performance (CW) ^[19]					
30 MHz–2000 MHz	0.1% BER	–	–10.0	–	dBm
2000–2399 MHz	0.1% BER	–	–27	–	dBm

Notes

15.All specifications are single ended. Unused inputs are left open.

16.All specifications, except typical, are for industrial temperatures. For details see [Table 17 on page 37](#).

17.Typical operating conditions are 1.22 V operating voltage and 25°C ambient temperature.

18.Meets this specification using front-end band pass filter.

19.f₀ = –64 dBm Bluetooth®-modulated signal, f₁ = –39 dBm sine wave, f₂ = –39 dBm Bluetooth®-modulated signal, f₀ = 2f₁ – f₂, and |f₂ – f₁| = n*1 MHz, where n is 3, 4, or 5. For the typical case, n = 5.

20.Includes baseband radiated emissions.

Electrical characteristics

Table 18 Receiver RF specifications^{[15], [16]} (continued)

Parameter	Conditions	Minimum	Typical ^[17]	Maximum	Unit
2498–3000 MHz	0.1% BER	–	–27	–	dBm
3000 MHz–12.75 GHz	0.1% BER	–	–10.0	–	dBm
Out-of-Band Blocking Performance, Modulated Interferer					
776–764 MHz	CDMA	–	–15	–	dBm
824–849 MHz	CDMA	–	–15	–	dBm
1850–1910 MHz	CDMA	–	–20	–	dBm
824–849 MHz	EDGE/GSM	–	–10	–	dBm
880–915 MHz	EDGE/GSM	–	–10	–	dBm
1710–1785 MHz	EDGE/GSM	–	–15	–	dBm
1850–1910 MHz	EDGE/GSM	–	–15	–	dBm
1850–1910 MHz	WCDMA	–	–25	–	dBm
1920–1980 MHz	WCDMA	–	–25	–	dBm
Intermodulation Performance^[19]					
BT, Df = 5 MHz	–	–39.0	–	–	dBm
Spurious Emissions^[20]					
30 MHz to 1 GHz	–	–	–	–57	dBm
1 GHz to 12.75 GHz	–	–	–	–47	dBm
65 MHz to 108 MHz	FM Rx	–	–145	–	dBm/Hz
746 MHz to 764 MHz	CDMA	–	–145	–	dBm/Hz
851–894 MHz	CDMA	–	–145	–	dBm/Hz
925–960 MHz	EDGE/GSM	–	–145	–	dBm/Hz
1805–1880 MHz	EDGE/GSM	–	–145	–	dBm/Hz
1930–1990 MHz	PCS	–	–145	–	dBm/Hz
2110–2170 MHz	WCDMA	–	–145	–	dBm/Hz

Notes

15. All specifications are single ended. Unused inputs are left open.

16. All specifications, except typical, are for industrial temperatures. For details see [Table 17 on page 37](#).

17. Typical operating conditions are 1.22 V operating voltage and 25°C ambient temperature.

18. Meets this specification using front-end band pass filter.

19. $f_0 = -64$ dBm Bluetooth®-modulated signal, $f_1 = -39$ dBm sine wave, $f_2 = -39$ dBm Bluetooth®-modulated signal, $f_0 = 2f_1 - f_2$, and $|f_2 - f_1| = n \cdot 1$ MHz, where n is 3, 4, or 5. For the typical case, $n = 5$.

20. Includes baseband radiated emissions.

Electrical characteristics

Table 19 Transmitter RF specifications [21], [22]

Parameter	Conditions	Minimum	Typical	Maximum	Unit
General					
Frequency range	–	2402	–	2480	MHz
Class1: GFSK Tx power [23]	–	6.5	10	–	dBm
Class1: EDR Tx power [24]	–	4.5	8	–	dBm
Class 2: GFSK Tx power	–	–1.5	2	–	dBm
Power control step	–	2	4	6	dB
Modulation Accuracy					
p/4-DQPSK Frequency Stability	–	–10	–	10	kHz
p/4-DQPSK RMS DEVM	–	–	–	20	%
p/4-QPSK Peak DEVM	–	–	–	35	%
p/4-DQPSK 99% DEVM	–	–	–	30	%
8-DPSK frequency stability	–	–10	–	10	kHz
8-DPSK RMS DEVM	–	–	–	13	%
8-DPSK Peak DEVM	–	–	–	25	%
8-DPSK 99% DEVM	–	–	–	20	%
In-Band Spurious Emissions					
+500 kHz	–	–	–	–20	dBc
1.0 MHz < M – N < 1.5 MHz	–	–	–	–26	dBc
1.5 MHz < M – N < 2.5 MHz	–	–	–	–20	dBm
M – N ≥ 2.5 MHz	–	–	–	–40	dBm
Out-of-Band Spurious Emissions					
30 MHz to 1 GHz	–	–	–	–36.0 [25]	dBm
1 GHz to 12.75 GHz	–	–	–	–30.0 [25], [26]	dBm
1.8 GHz to 1.9 GHz	–	–	–	–47.0	dBm
5.15 GHz to 5.3 GHz	–	–	–	–47.0	dBm
GPS Band Noise Emission (without a front-end band pass filter)					
1572.92 MHz to 1577.92 MHz	–	–	–150	–127	dBm/Hz

Notes

21.All specifications are for industrial temperatures. For details, see [Table 17 on page 37](#).

22.All specifications are single-ended. Unused input are left open.

23.+10 dBm output for GFSK measured with VDDTF = 2.9 V.

24.+8 dBm output for EDR measured with VDDTF = 2.9 V.

25.Maximum value is the value required for Bluetooth® qualification.

26.Meets this spec using a front-end bandpass filter.

Electrical characteristics

Table 19 Transmitter RF specifications ^{[21], [22]} (continued)

Parameter	Conditions	Minimum	Typical	Maximum	Unit
Out-of-Band Noise Emissions (without a front-end band pass filter)					
65 MHz to 108 MHz	FM Rx	-	-145	-	dBm/Hz
746 MHz to 764 MHz	CDMA	-	-145	-	dBm/Hz
869 MHz to 960 MHz	CDMA	-	-145	-	dBm/Hz
925 MHz to 960 MHz	EDGE/GSM	-	-145	-	dBm/Hz
1805 MHz to 1880 MHz	EDGE/GSM	-	-145	-	dBm/Hz
1930 MHz to 1990 MHz	PCS	-	-145	-	dBm/Hz
2110 MHz to 2170 MHz	WCDMA	-	-145	-	dBm/Hz

Notes

21. All specifications are for industrial temperatures. For details, see [Table 17 on page 37](#).
22. All specifications are single-ended. Unused input are left open.
23. +10 dBm output for GFSK measured with VDDTF = 2.9 V.
24. +8 dBm output for EDR measured with VDDTF = 2.9 V.
25. Maximum value is the value required for Bluetooth® qualification.
26. Meets this spec using a front-end bandpass filter.

9.2 Timing and AC characteristics

In this section, use the numbers listed in the reference column to interpret the timing diagrams.

9.2.1 Startup timing

There are two basic startup scenarios. In one scenario, the chip startup and firmware boot is held off while the RST_N pin is asserted. In the second scenario, the chip startup and firmware boot is directly triggered by the chip power-up. In this case, an internal power-on reset (POR) is held for a few ms, after which the chip commences startup.

The global reset signal in the CYW20705 is a logical OR (actually a wired AND, since the signals are active low) of the RST_N input and the internal POR signals. The last signal to be released determines the time at which the chip is released from reset. The POR is typically asserted for 3 ms after VDDC crosses the 0.8V threshold, but it may be as soon as 1.5 ms after this event.

After the chip is released from reset, both startup scenarios follow the same sequence, as follows:

1. For the CYW20705A1KWFBG parts: after approximately 120 μ s, the CLK_REQ (GPIO_5) signal is asserted (not available on CYW20705B0KWFBG parts).
2. The chip remains in sleep state for a minimum of 4.2 ms.
3. If present, the crystal (or TCXO) and LPO clocks must be oscillating by the end of the 4.2 ms period.

If a TCXO clock is not in the system, a crystal is assumed to be present at the XIN and XOUT pins. If an LPO clock is not used, the firmware will detect the absence of a clock at the LPO_IN lead and use the internal LPO clock instead.

The following two figures illustrate two startup timing scenarios.

Note: The GPIO5 (CLK_REQ) waveform does not apply to the CYW20705B0KWFBG.

Note: To prevent booting up into autobaud mode when using UART transport, BT_UART_CTS_N low requires at least 50 ms delay from reset released high.

Electrical characteristics

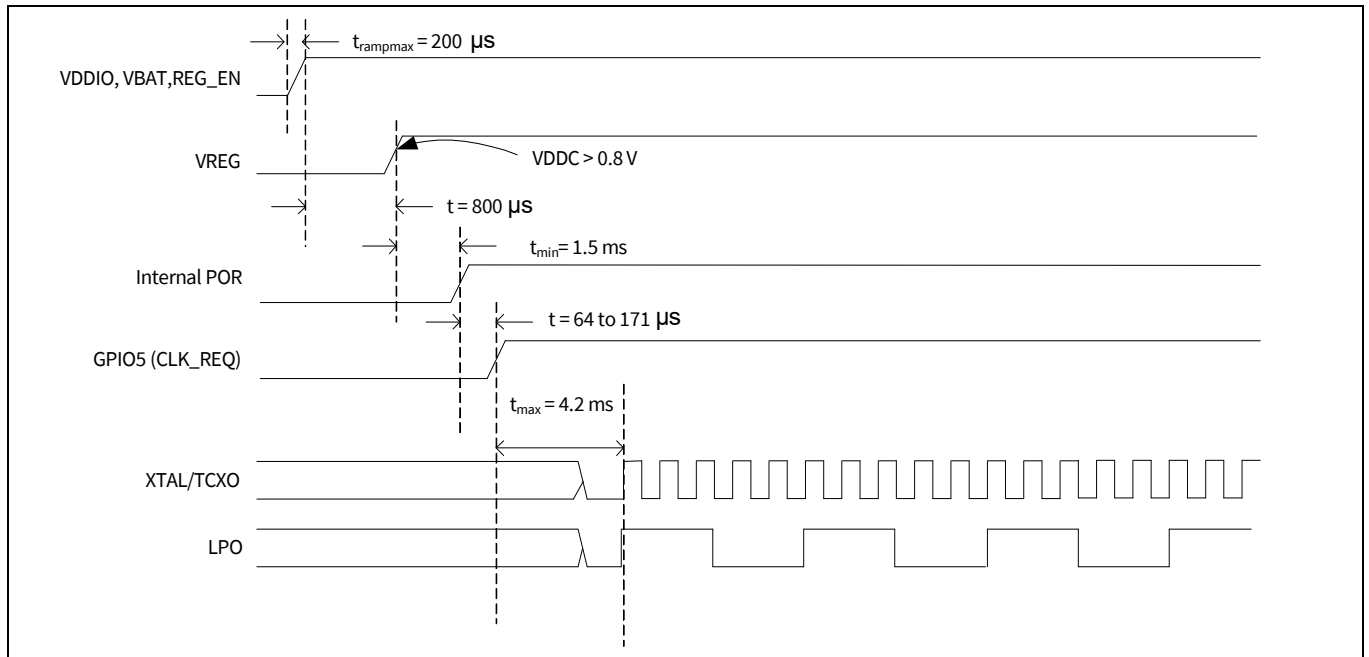


Figure 9 Startup timing from power-on reset

Note: The GPIO5 (CLK_REQ) waveform does not apply to the CYW20705B0KWFBG.

9.2.2 USB Full-Speed timing

Table 20 through **Table 25** shows timing specifications for VDD_USB = 3.3 V, V_{SS} = 0 V, and T_A = 0 to 85°C operating temperature range.

Table 20 USB Full-Speed timing specifications

Reference	Characteristics	Minimum	Maximum	Unit
1	Transition rise time	4	20	ns
2	Transition fall time	4	20	ns
3	Rise/fall timing matching	90	111	%
4	Full-speed data rate	12 - 0.25%	12 + 0.25%	Mb/s

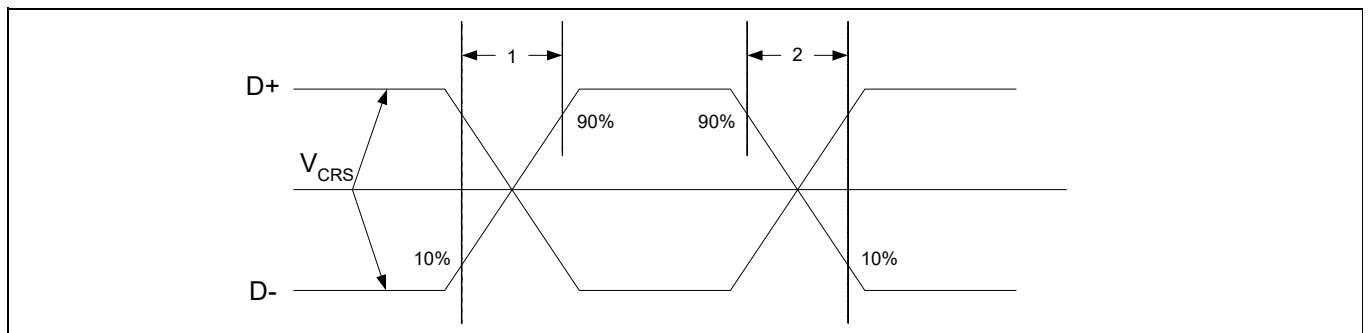


Figure 10 USB Full-Speed timing

Electrical characteristics

9.2.3 UART timing

Table 21 UART timing specifications

Reference	Characteristics	Minimum	Maximum	Unit
1	Delay time, UART_CTS_N low to UART_TXD valid	-	24	Baudout cycles
2	Setup time, UART_CTS_N high before midpoint of stop bit	-	10	ns
3	Delay time, midpoint of stop bit to UART_RTS_N high	-	2	Baudout cycles

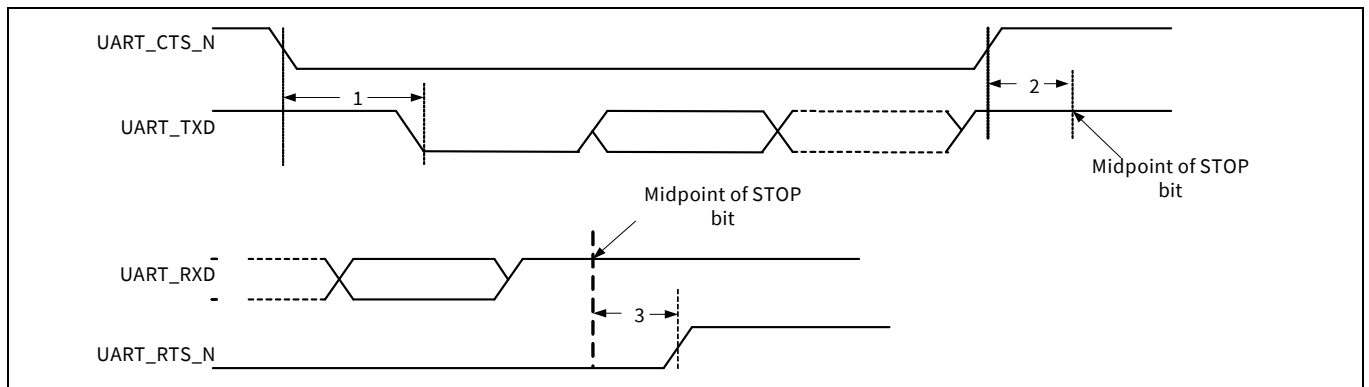


Figure 11 UART timing

Electrical characteristics

9.2.4 PCM interface timing

Table 22 PCM interface timing specifications (Short frame synchronization, master mode)

Reference	Characteristics	Minimum	Maximum	Unit
1	PCM bit clock frequency	128	2048	kHz
2	PCM bit clock HIGH time	128	–	ns
3	PCM bit clock LOW time	209	–	ns
4	Delay from PCM_BCLK rising edge to PCM_SYNC high	–	50	ns
5	Delay from PCM_BCLK rising edge to PCM_SYNC low	–	50	ns
6	Delay from PCM_BCLK rising edge to data valid on PCM_OUT	–	50	ns
7	Setup time for PCM_IN before PCM_BCLK falling edge	50	–	ns
8	Hold time for PCM_IN after PCM_BCLK falling edge	10	–	ns
9	Delay from falling edge of PCM_BCLK during last bit period to PCM_OUT becoming high impedance	–	50	ns

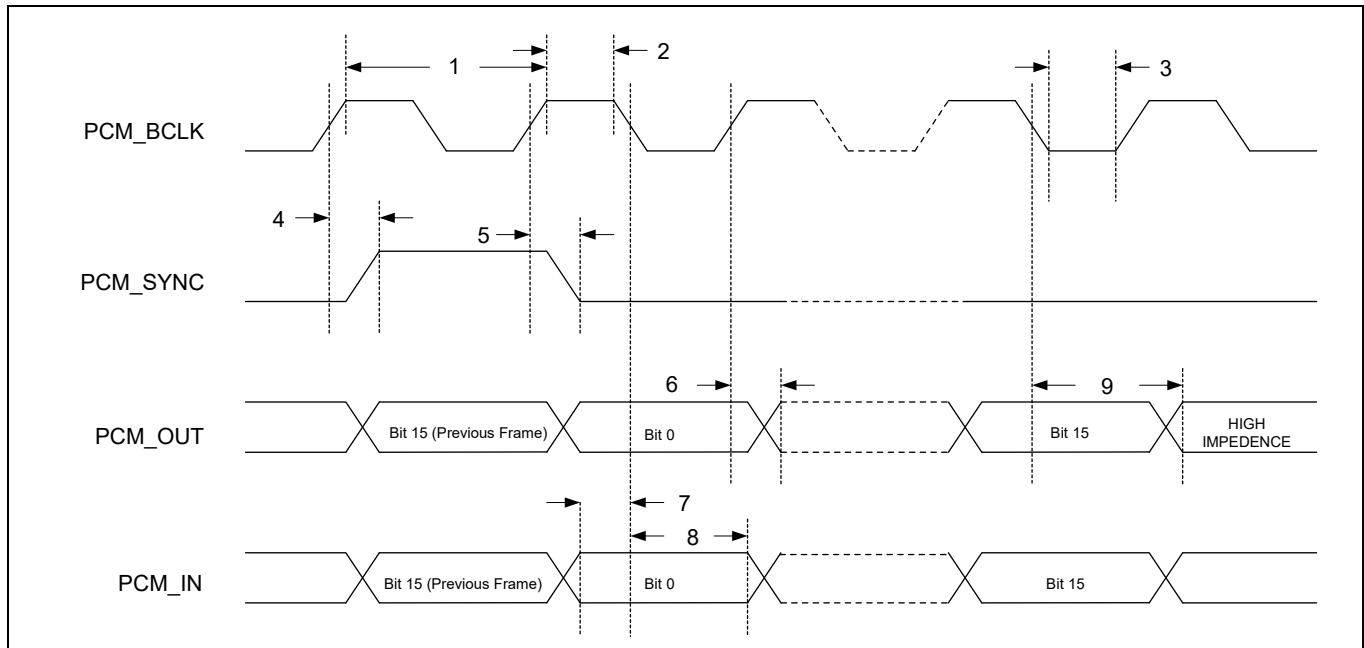


Figure 12 PCM interface timing (Short frame synchronization, master mode)

Electrical characteristics

Table 23 PCM interface timing specifications (Short frame synchronization, slave mode)

Reference	Characteristics	Minimum	Maximum	Unit
1	PCM bit clock frequency	128	2048	kHz
2	PCM bit clock HIGH time	209	–	ns
3	PCM bit clock LOW time	209	–	ns
4	Setup time for PCM_SYNC before falling edge of PCM_BCLK	50	–	ns
5	Hold time for PCM_SYNC after falling edge of PCM_BCLK	10	–	ns
6	Hold time of PCM_OUT after PCM_BCLK falling edge	–	175	ns
7	Setup time for PCM_IN before PCM_BCLK falling edge	50	–	ns
8	Hold time for PCM_IN after PCM_BCLK falling edge	10	–	ns
9	Delay from falling edge of PCM_BCLK during last bit period to PCM_OUT becoming high impedance	–	100	ns

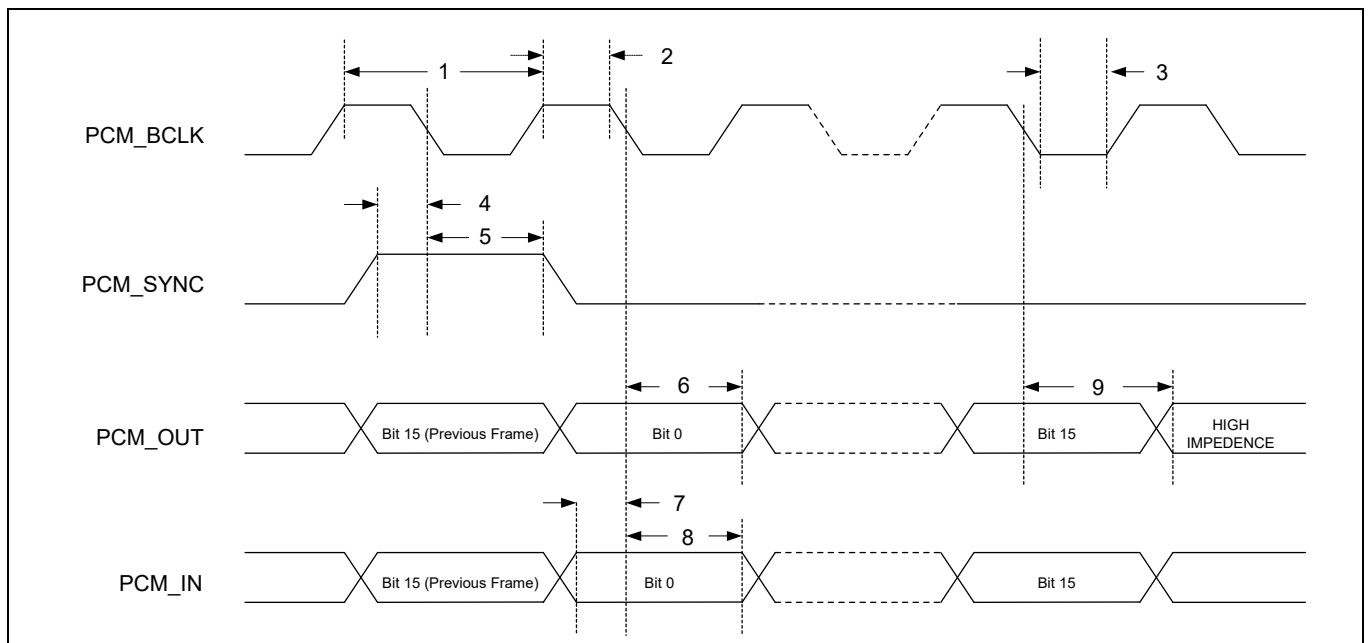


Figure 13 PCM interface timing (Short frame synchronization, slave mode)

Electrical characteristics

Table 24 PCM interface timing specifications (Long frame synchronization, master mode)

Reference	Characteristics	Minimum	Maximum	Unit
1	PCM bit clock frequency	128	2048	kHz
2	PCM bit clock HIGH time	209	–	ns
3	PCM bit clock LOW time	209	–	ns
4	Delay from PCM_BCLK rising edge to PCM_SYNC HIGH during first bit time	–	50	ns
5	Delay from PCM_BCLK rising edge to PCM_SYNC LOW during third bit time	–	50	ns
6	Delay from PCM_BCLK rising edge to data valid on PCM_OUT	–	50	ns
7	Setup time for PCM_IN before PCM_BCLK falling edge	50	–	ns
8	Hold time for PCM_IN after PCM_BCLK falling edge	10	–	ns
9	Delay from falling edge of PCM_BCLK during last bit period to PCM_OUT becoming high impedance	–	50	ns

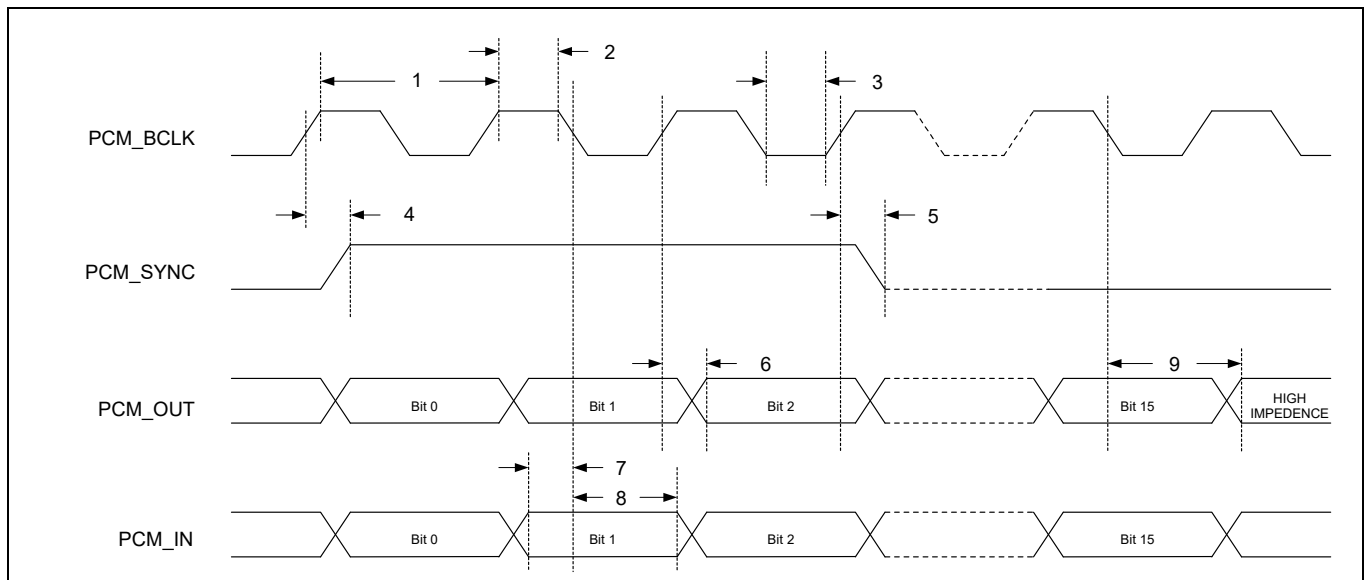


Figure 14 PCM interface timing (Long frame synchronization, master mode)

Electrical characteristics

Table 25 PCM interface timing specifications (Long frame synchronization, slave mode)

Reference	Characteristics	Minimum	Maximum	Unit
1	PCM bit clock frequency.	128	2048	kHz
2	PCM bit clock HIGH time.	209	–	ns
3	PCM bit clock LOW time.	209	–	ns
4	Setup time for PCM_SYNC before falling edge of PCM_BCLK during first bit time.	50	–	ns
5	Hold time for PCM_SYNC after falling edge of PCM_BCLK during second bit period. (PCM_SYNC may go low any time from second bit period to last bit period).	10	–	ns
6	Delay from rising edge of PCM_BCLK or PCM_SYNC (whichever is later) to data valid for first bit on PCM_OUT.	–	50	ns
7	Hold time of PCM_OUT after PCM_BCLK falling edge.	–	175	ns
8	Setup time for PCM_IN before PCM_BCLK falling edge.	50	–	ns
9	Hold time for PCM_IN after PCM_BCLK falling edge.	10	–	ns
10	Delay from falling edge of PCM_BCLK or PCM_SYNC (whichever is later) during last bit in slot to PCM_OUT becoming high impedance.	–	100	ns

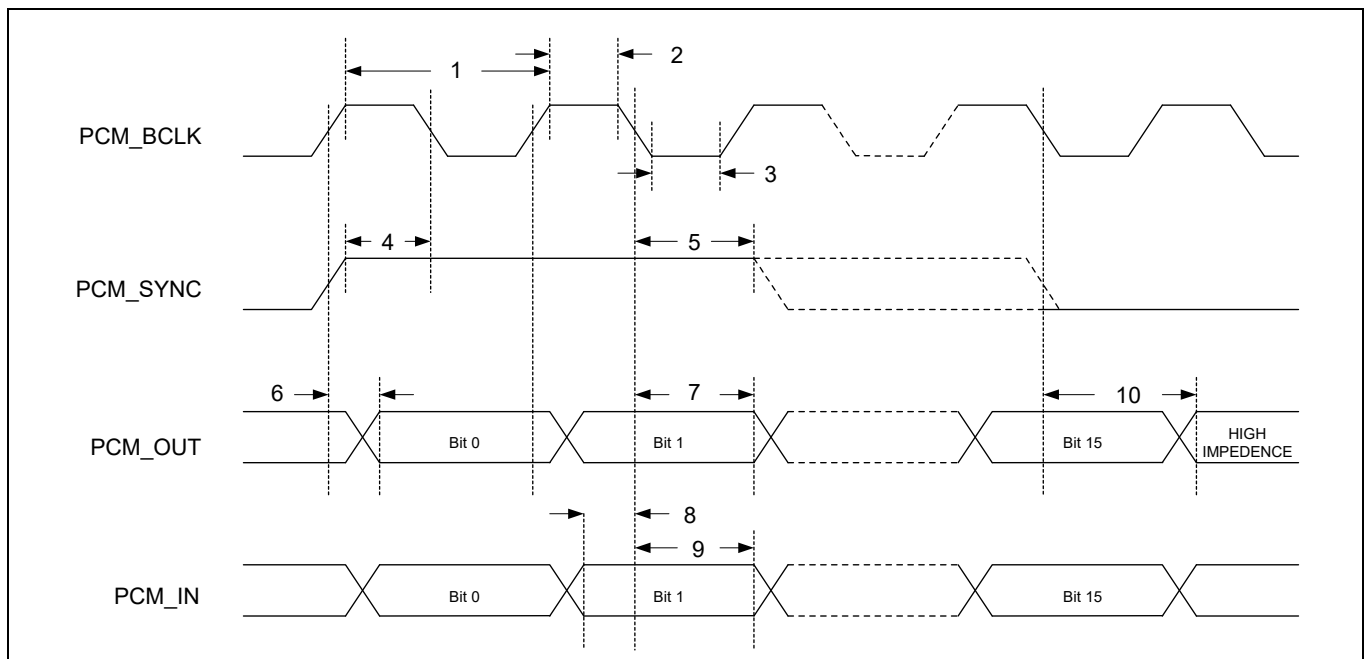


Figure 15 PCM interface timing (Long frame synchronization, slave mode)

Electrical characteristics

9.2.5 BSC interface timing

Table 26. BSC interface timing specifications

Reference	Characteristics	Minimum	Maximum	Unit
1	Clock frequency	–	100 400 800 1000	kHz
2	START condition setup time	650	–	ns
3	START condition hold time	280	–	ns
4	Clock low time	650	–	ns
5	Clock high time	280	–	ns
6	Data input hold time ^[27]	0	–	ns
7	Data input setup time	100	–	ns
8	STOP condition setup time	280	–	ns
9	Output valid from clock	–	400	ns
10	Bus free time ^[28]	650	–	ns

Notes

27. As a transmitter, 300 ns of delay is provided to bridge the undefined region of the falling edge of SCL to avoid unintended generation of START or STOP conditions

28. Time that the cbus must be free before a new transaction can start.

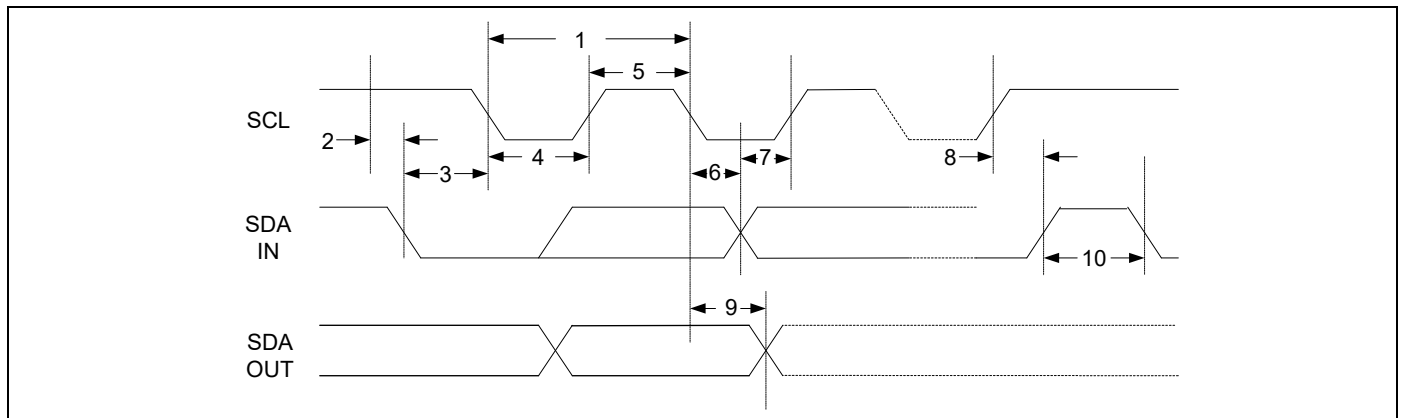


Figure 16 BSC interface timing diagram

10 Mechanical information

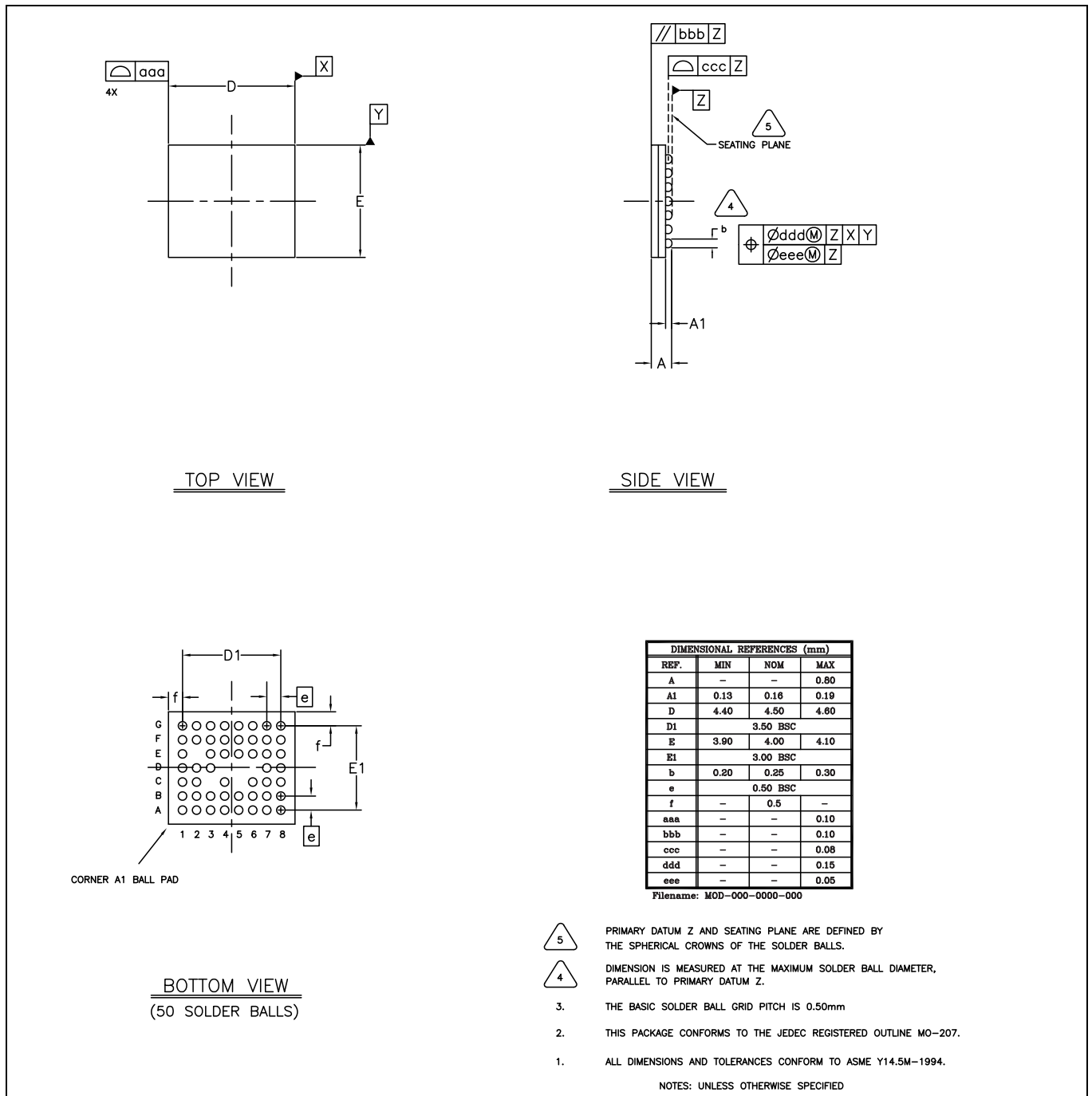


Figure 17 50-ball WFBGA mechanical drawing

10.1 Tape, reel, and packing specification

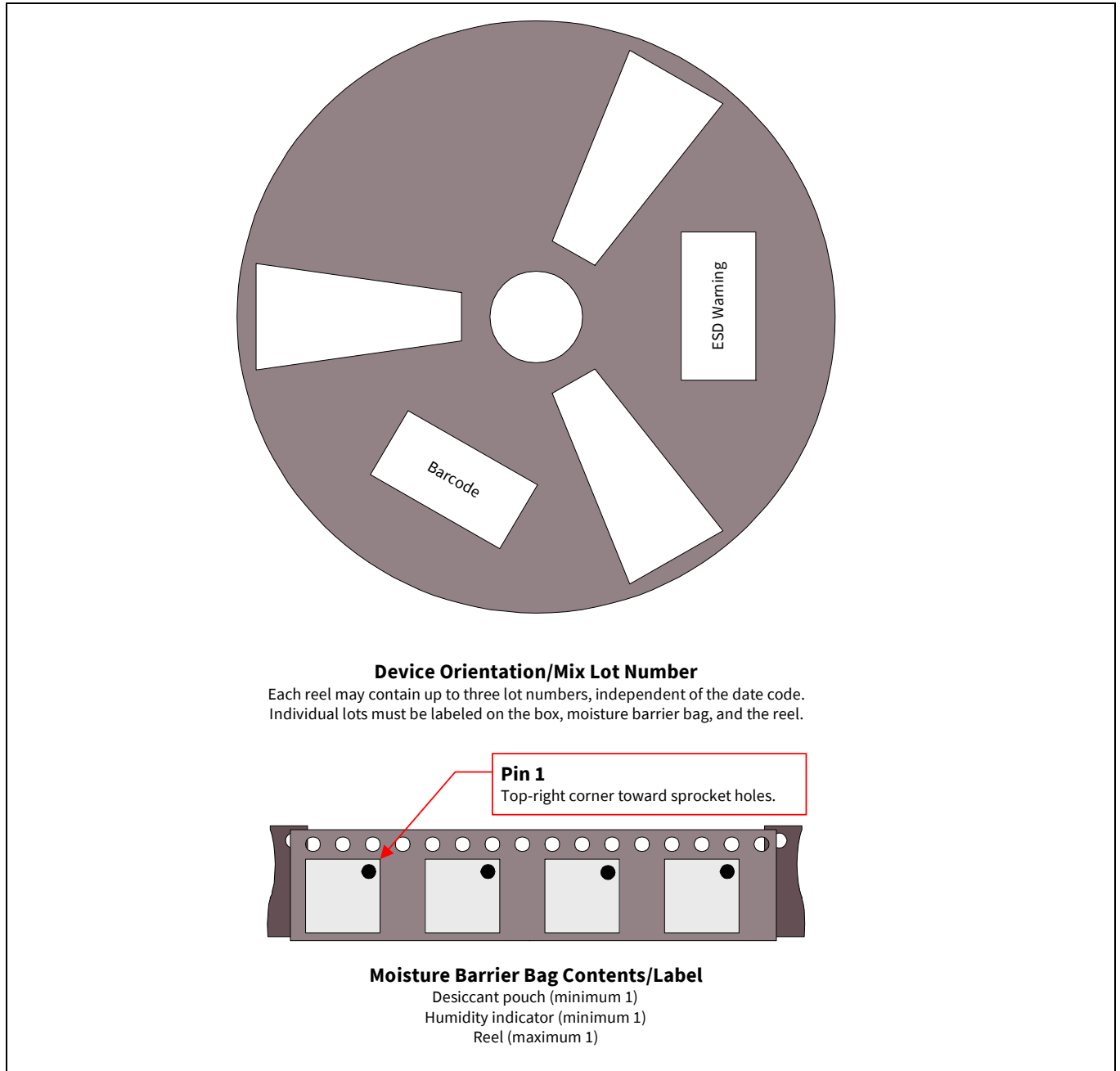


Figure 18 Reel, labeling, and packing specification

11 Ordering information

The following table lists available part numbers and describes differences in package type, available I/O, and functional configuration. See the referenced figures and tables for mechanical drawings and package I/O information.

All packages are rated from –30°C to +85°C.

Table 27 Ordering information

Part number	Package type	Functional I/O features	Strapped configuration
CYW20705A1KWFBG	Commercial 50-ball WFBGA, 4.5 mm x 4.0 mm x 0.8 mm. See Figure 17 on page 49	–	–
CYW20705B0KWFBG	Commercial 50-ball WFBGA, 4.5 mm x 4.0 mm x 0.8 mm. See Figure 17 on page 49	–	–

References

[1] Acronyms and abbreviations

- In most cases, acronyms and abbreviations are defined on first use.
For a comprehensive list of acronyms and other terms used in Infineon documents, go to:
<https://www.infineon.com/cms/en/about-infineon/investor/reporting/glossary>

[2] IoT resources

- Infineon provides a wealth of data at <https://www.infineon.com/cms/en/applications/security/security-for-iot> to help you to select the right IoT device for your design, and quickly and effectively integrate the device into your design. Infineon provides customer access to a wide range of information, including technical documentation, schematic diagrams, product bill of materials, PCB layout information, and software updates. Customers can acquire technical documentation and software from the Infineon developer community website (<https://community.infineon.com>).

Revision history

Document version	Date of release	Description of Changes
**	2011-10-11	MCS20705-DS100-R Initial release
*A	2012-08-09	MCS20705-DS101-R Updated: <ul style="list-style-type: none"> • Table 1: “Power Control Pin Summary,” on page 32 • “Major Features” on page 18 • Section 3: “Bluetooth® Baseband Core,” on page 28 • “Bluetooth® 3.04.0 + EDR Features” on page 29 • Table 1: “Power Control Pin Summary,” on page 32 • “BBC Power Management” on page 33 • “Serial Enhanced Coexistence Interface” on page 34 • Section 4: Microprocessor Unit, “Overview” on page 36 • Table 2: “OTP Programming Supply Voltage Requirements,” on page 39 • “TCXO Clock Request Support” on page 51 • Table 10: “CYW20705 Signal Descriptions,” on page 57 • Table 21: “Pad I/O Characteristics,” on page 65 • “Startup Timing” on page 73 • Section 11: “Ordering Information,” on page 92
*B	2013-02-25	MCS20705-DS102-R Updated: <ul style="list-style-type: none"> • “Host Controller Power Management” on page 22 • “HCI 3-Wire Transport (UART H5)” on page 36
*C	2014-03-04	MCS20705-DS103-R Updated: Drive strength in Table 24 on page 68
*D	2014-11-13	MCS20705-DS104-R Updated: Bluetooth® compatibility from 4.0 to 4.1
*E	2016-11-10	Updated to template
*F	2017-11-09	Updated logo and copyright
*G	2022-02-25	Updated minimum input voltage to 3.3 V in Internal LDO and Table 10 Added a note in Startup timing

Trademarks

All referenced product or service names and trademarks are the property of their respective owners.

Edition 2022-02-25
Published by
Infineon Technologies AG
81726 Munich, Germany

© 2022 Infineon Technologies AG.
All Rights Reserved.

Do you have a question about this document?
Go to www.infineon.com/support

Document reference
002-14867 Rev. *G

IMPORTANT NOTICE

The information given in this document shall in no event be regarded as a guarantee of conditions or characteristics ("Beschaffenhheitsgarantie").

With respect to any examples, hints or any typical values stated herein and/or any information regarding the application of the product, Infineon Technologies hereby disclaims any and all warranties and liabilities of any kind, including without limitation warranties of non-infringement of intellectual property rights of any third party.

In addition, any information given in this document is subject to customer's compliance with its obligations stated in this document and any applicable legal requirements, norms and standards concerning customer's products and any use of the product of Infineon Technologies in customer's applications.

The data contained in this document is exclusively intended for technically trained staff. It is the responsibility of customer's technical departments to evaluate the suitability of the product for the intended application and the completeness of the product information given in this document with respect to such application.

For further information on the product, technology, delivery terms and conditions and prices please contact your nearest Infineon Technologies office (www.infineon.com).

WARNINGS

Due to technical requirements products may contain dangerous substances. For information on the types in question please contact your nearest Infineon Technologies office.

Except as otherwise explicitly approved by Infineon Technologies in a written document signed by authorized representatives of Infineon Technologies, Infineon Technologies' products may not be used in any applications where a failure of the product or any consequences of the use thereof can reasonably be expected to result in personal injury.