

NOTES: (b)

1. FOR WAVESOLDERING (SOLDER BATH TEMPERATURE 260°C FOR 5SEC. AND SOLDER PREHEAT 100°C FOR 30SEC.)
2. METALSHELLS: STEEL; min. 315µm TIN over 40-80µm NICKEL
3. INSULATOR: HIGH TEMPERATURE PLASTIC UL 94 V-0, BLACK
4. CONTACTS: COPPER ALLOY; PLATING (SEE PART NO.):
 - PLEASE ADD A for GOLD FLASH over NICKEL (PREFERRED TYPE)
 - PLEASE ADD B for 20µm HARD GOLD over min. 50µm NICKEL
 - PLEASE ADD C for 30µm HARD GOLD over min. 50µm NICKEL
 - PLEASE ADD J for 50µm HARD GOLD over min. 50µm NICKEL
- CONTACTS TAILS PRETINNED
5. CAPACITANCE: 1300pF ± 20%
6. DIELECTRIC WITHSTANDING VOLTAGE: 424 VDC
7. THREADED INSERTS: COPPER ALLOY; min. 200µm TIN over 80µm min. NICKEL
8. COLLARS: COPPER ALLOY; min. 200µm TIN over 80µm min. NICKEL
9. P.C.B HOLE DRILLINGS ON SHEET 2
10. MAXIMUM TORQUE VALUE FOR THREAD: 6in.LB
11. CONNECTOR IS PART MARKED: **241□10200X CONEC ABC** (see note 5)

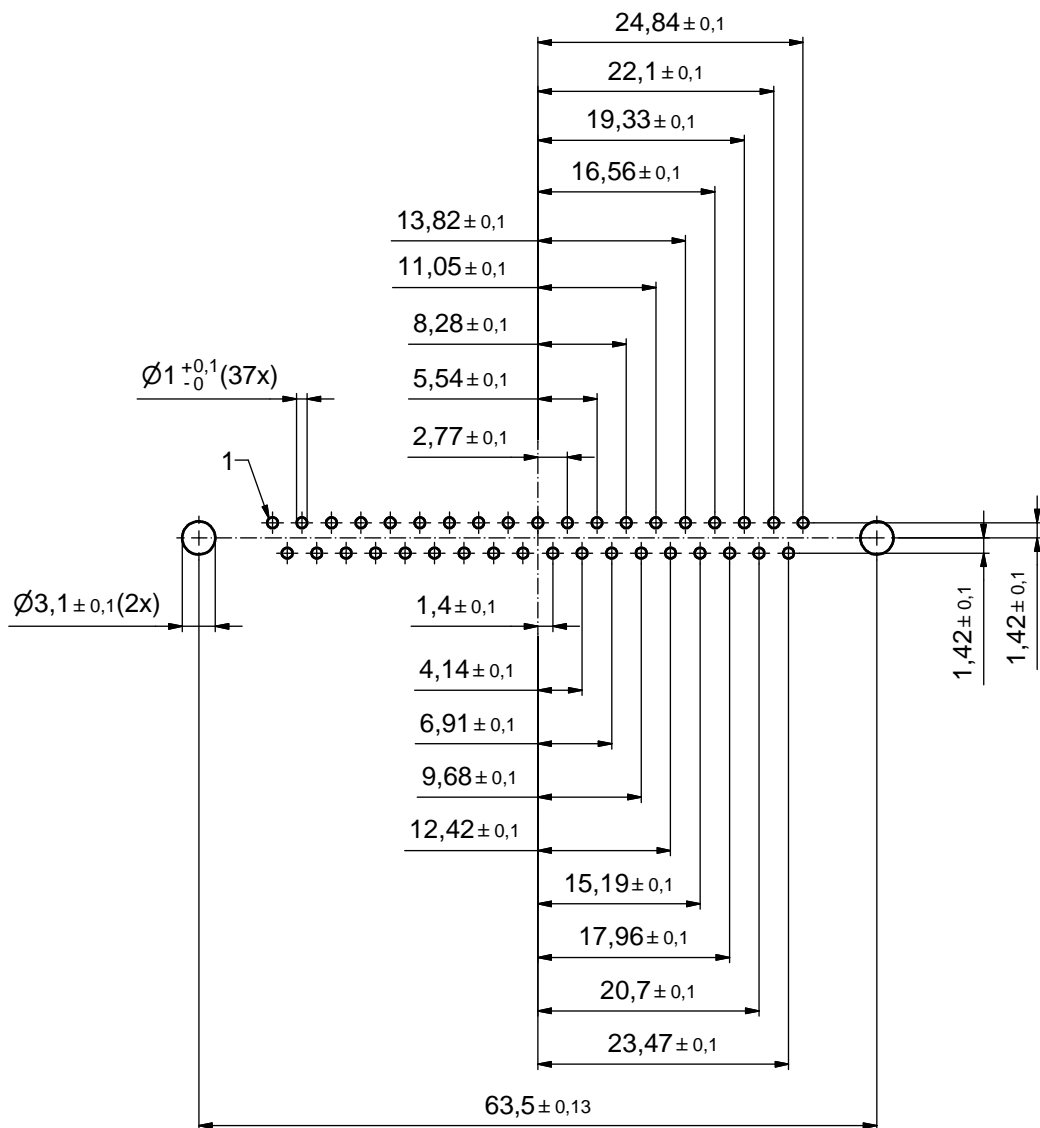
RoHS compliant

(b)

THIS DRAWING MAY NOT BE COPIED OR REPRODUCED IN ANY WAY, AND MAY NOT BE PASSED ON TO A THIRD PARTY WITHOUT WRITTEN PERMISSION. OWNERSHIP AND COPYRIGHT OF CONEC GmbH DO NOT ALTER CAD DRAWING BY HAND	tolerance		dim. in mm		scale: 2:1 (5:1)	
	date		name		material: SEE NOTES	
	drawn 13.02.2008		Sonnenberg		title: D-SUB FILTER MALE 37pos. SOLDER PIN STRAIGHT with threaded insert	
	appd. 13.02.2008		Mickenbecker			
	norm		d-old			
6 x b	A5736	23.07.15	M. H.	dwg no: 24K1A1068		DIN-A3
a	Original			part no: (b) 241□10200X (see note 5)		sh: 1

CONEC

ⓑ P.C.B. HOLE DRILLINGS
(P.C.B. TOP SIDE)



THIS DRAWING MAY NOT BE COPIED OR REPRODUCED IN ANY WAY, AND MAY NOT BE PASSED ON TO A THIRD PARTY WITHOUT WRITTEN PERMISSION. OWNERSHIP AND COPYRIGHT OF CONEC GmbH DO NOT ALTER CAD DRAWING BY HAND				tolerance		scale: 2:1
					dim. in mm	material: SEE SHEET 1
				date	name	title: P.C.B. HOLE DRILLINGS D-SUB FILTER MALE 37pos. with threaded insert
				drawn 13.02.2008	Sonnenberg	
				appd. 13.02.2008	Mickenbecker	
			norm		dwg no:	DIN-A3
			d-old			sh: 2
1 x b	A5736	23.07.15	M. H.	CONEC [®]		24K1A1068
a	Original					part no: SEE SHEET 1
rev.	description	date	name			