

Customer Information Sheet

DRAWING No.: M300-FV10345F2

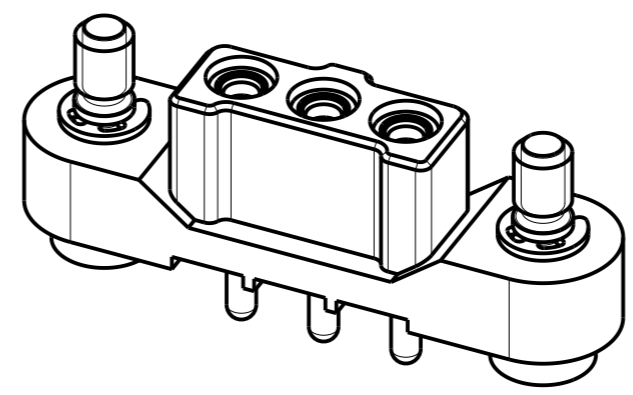
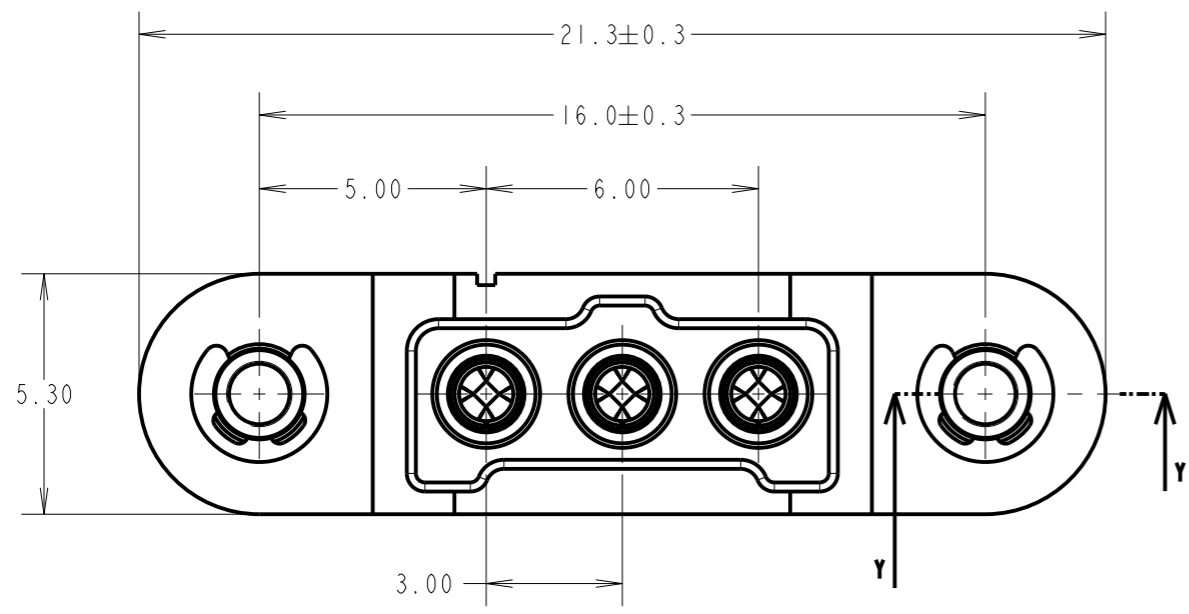
IF IN DOUBT - ASK

©

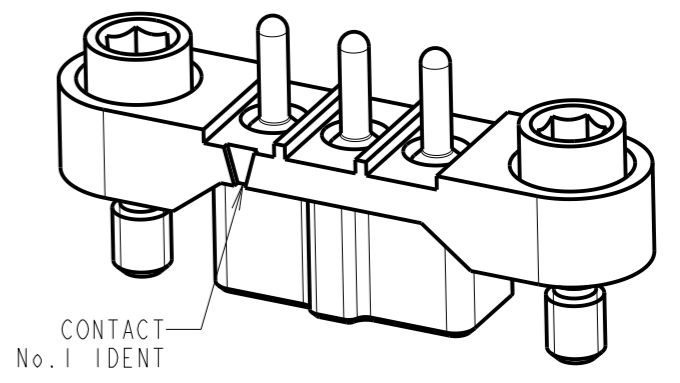
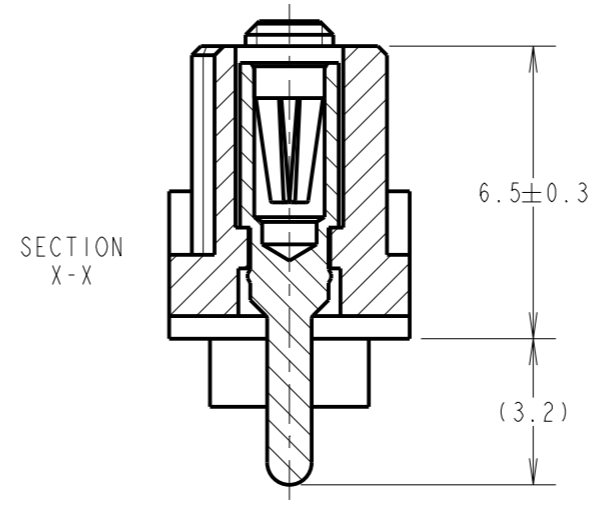
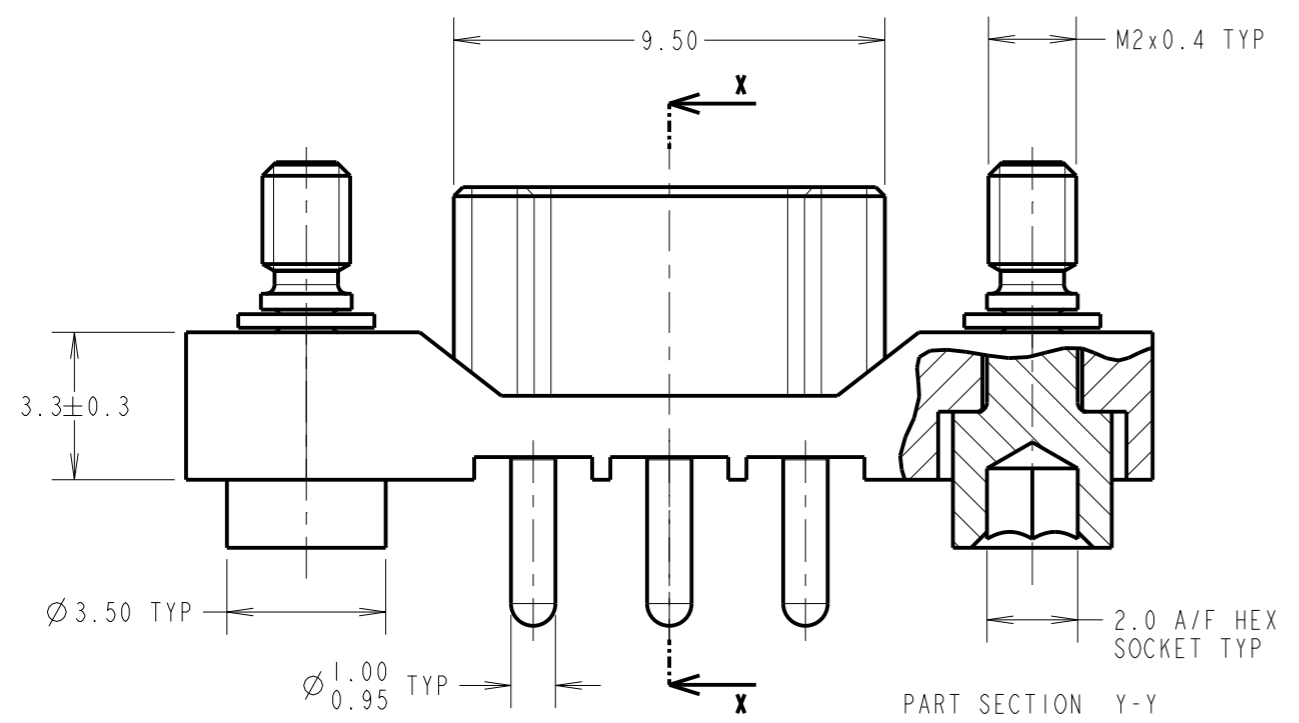
NOT TO SCALE

THIRD ANGLE PROJECTION

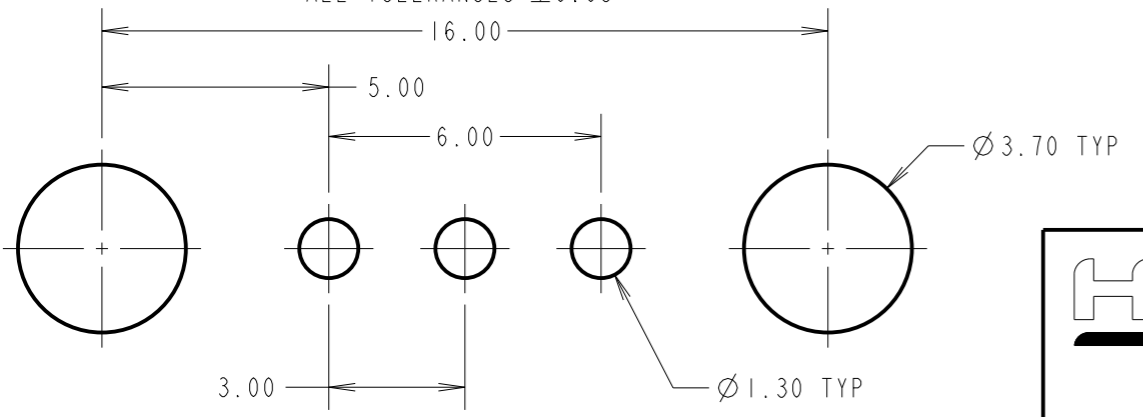
ALL DIMENSIONS IN mm



SPECIFICATIONS:
 MATERIAL:
 HOUSING = GLASS-FILLED PA46 UL94V-0, GREEN
 CONTACT CLIP = BERYLLIUM COPPER
 CONTACT SHELL = BRASS
 JACKSCREW, CIRCLIP = STAINLESS STEEL
 FINISH (ALL OVER NICKEL):
 0.10/0.17µm GOLD CLIP, 0.25/0.30µm GOLD SHELL
 PACKING:
 TUBE
 FOR COMPLETE SPECIFICATION, SEE COMPONENT SPECIFICATION C048XX (LATEST ISSUE)



RECOMMENDED PCB LAYOUT
 ALL TOLERANCES ±0.05



MGP	2	10.11.22	32021
NAME	ISS.	DATE	CN/CO
APPROVED: MGP			
CHECKED: RTP			
DRAWN: MARK G PLESTED			
CUSTOMER REF.:			
ASSEMBLY DRG:			

HARWIN
 www.harwin.com
 technical@harwin.com

THIS DRAWING AND ANY INFORMATION OR DESCRIPTIVE MATTER SET OUT HEREON ARE CONFIDENTIAL AND COPYRIGHT PROPERTY OF THE HARWIN GROUP AND MUST NOT BE DISCLOSED, LOANED, COPIED OR USED FOR MANUFACTURING, TENDERING OR FOR ANY OTHER PURPOSE WITHOUT THEIR WRITTEN PERMISSION.

TOLERANCES
 X. = ±1mm
 X.X = ±0.50mm
 X.XX = ±0.20mm
 X.XXX = ±0.01mm
 ANGLES = ±5°
 UNLESS STATED

MATERIAL: SEE ABOVE
 FINISH: SEE ABOVE
 S/AREA: mm²

TITLE: 1mm POWER CONNECTOR SIL VERTICAL PC TAIL FEMALE ASSEMBLY
 DRAWING NUMBER: **M300-FV10345F2**
 SHT 2 OF 2