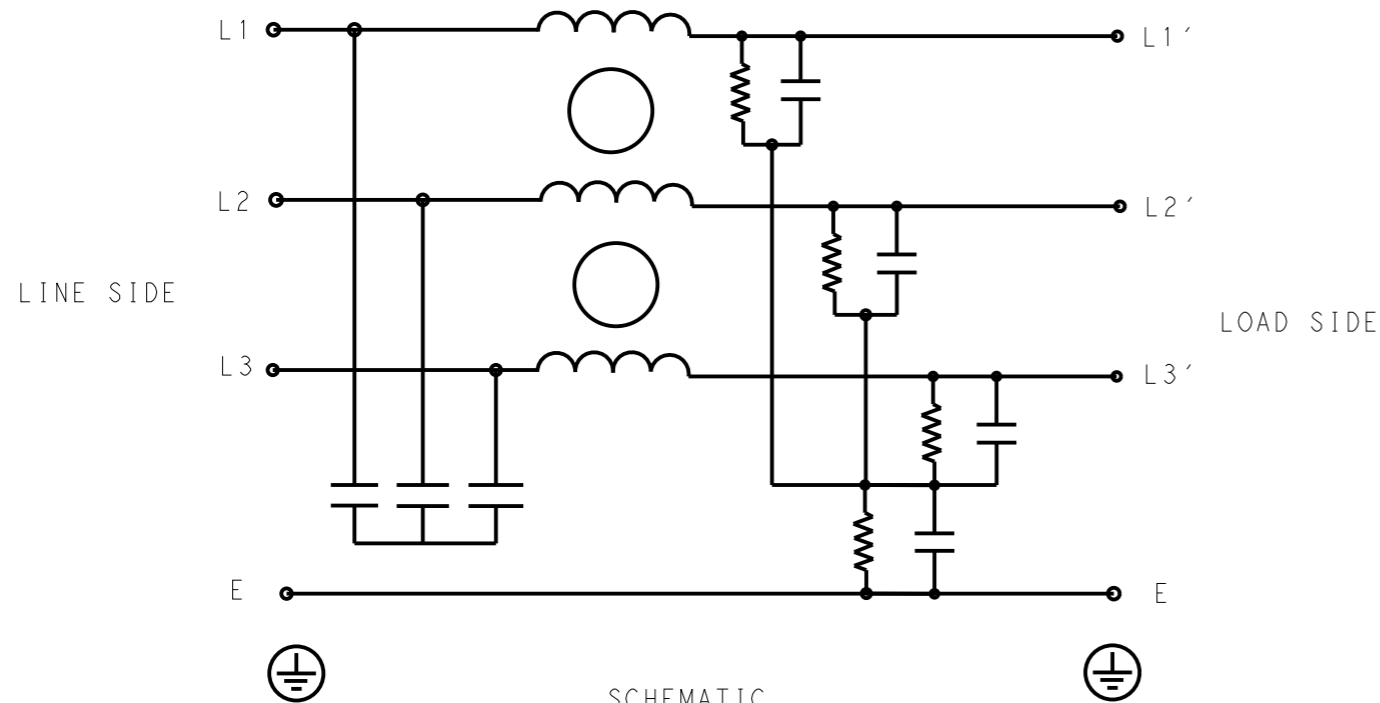


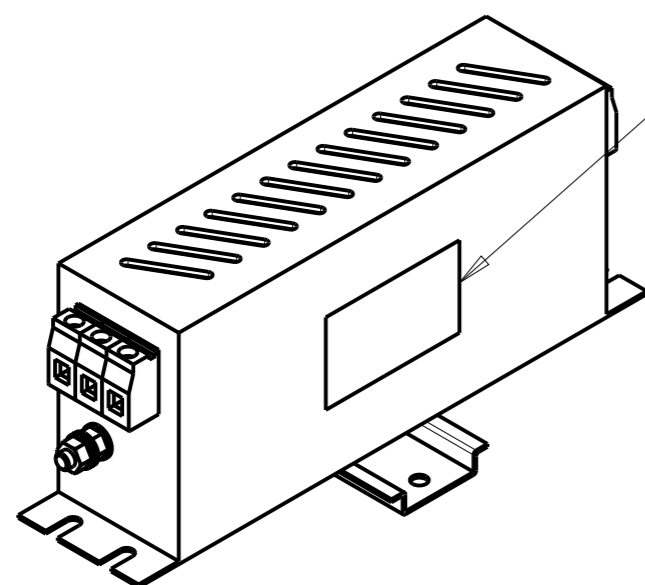
REVISIONS

P	LTR	DESCRIPTION	DATE	DWN	APVD
	A	INITIAL RELEASE	06ARP2021	BS	CB



TYPICAL INSERTION LOSS
COMMON MODE 50/50Ω; DIFFERENTIAL MODE 50/50Ω

MHz	0.01	0.05	0.15	0.5	1	3	5	10	30
CM	54	56	48	71	82	70	65	40	16
DM	30	32	40	69	54	50	48	34	25



LABEL TO TE MARKING SPECIFICATION

SAFETY ORGANIZATIONS

THIS FILTER WILL BE FORMALLY RECOGNIZED, CERTIFIED OR APPROVED BY THE LISTED AGENCY. THEREFORE, ALL TEST/REQUIREMENTS SPECIFIED IN THE LATEST REVISION OF THE FOLLOWING AGENCY STANDARDS WILL BE MET:

UL APPROVED 7A 440V 50Hz/60Hz 40°C
CSA APPROVED 7A 440V 50Hz/60Hz 40°C

OPERATING SPECIFICATION

LINE CURRENT/VOLTAGE: 7A, 440VAC
LINE FREQUENCY: 50/60Hz

MAXIMUM LEAKAGE CURRENT: 5mA @ 230VAC, 50Hz

OPERATING AMBIENT TEMPERATURE RANGE @ RATED CURRENT: -25°C TO +40°C

IN AN AMBIENT, T_a, HIGHER THAN 40°C, THE MAXIMUM OPERATING CURRENT, I_o, IS AS FOLLOWS:

$$I_o = I_r \sqrt{\frac{85 - T_a}{45}}$$

RELIABILITY SPECIFICATIONS

STORAGE TEMPERATURE: -40°C TO +85°C
HUMIDITY: 21 DAYS @ 40°C AND 95% RH

TEST SPECIFICATIONS

INDUCTANCE, NOMINAL: 5mH

CAPACITANCE @ 1kHz

LINE TO GROUND, NOMINAL: 0.3μF
LINE TO LINE, NOMINAL: 1μF

DISCHARGE RESISTOR

L/G I.R. 680KΩ 1W
L/L I.R. 3MΩ 1W
L/N I.R. XXX
N/G I.R. XXX

IR (NO DISCHARGE RESISTOR) 20°C, 50% RH AND 100VDC, MIN: 6MΩ

RECOMMENDED RECEIVING INSPECITON HIPOI

LINE TO GROUND FOR 1 MINUTE: 2632VDC
LINE TO LINE FOR 1 MINUTE: 1892VDC

FILTER APPROVAL

THE BEST WAY TO SELECT AND QUALIFY A FILTER IS FOR YOUR ENGINEERING TO TEST THE UNIT IN YOUR EQUIPMENT.

THIS DRAWING IS A CONTROLLED DOCUMENT.		DWN 06APR2021 BAPAT SAHAS		TE Connectivity	
DIMENSIONS: mm		CHK 06APR2021 CHRIS BOLLE			
TOLERANCES UNLESS OTHERWISE SPECIFIED:		APVD 06APR2021 CHRIS BOLLE		NAME POWER LINE FILTER FOR DIN 35 RAIL INSTALLATION 7KEMS10ABSDDM	
0 PLC ±.5 1 PLC ±0.5 2 PLC ±0.40 3 PLC ±0.130 4 PLC ±0.0500 ANGLES ±.		PRODUCT SPEC -		APPLICATION SPEC -	
MATERIAL -		FINISH -		WEIGHT -	
		CUSTOMER DRAWING		SIZE A300779	CAGE CODE C-8-1609967-1
				RESTRICTED TO -	
				SCALE 1:2	SHEET 1 OF 2
				REV A	

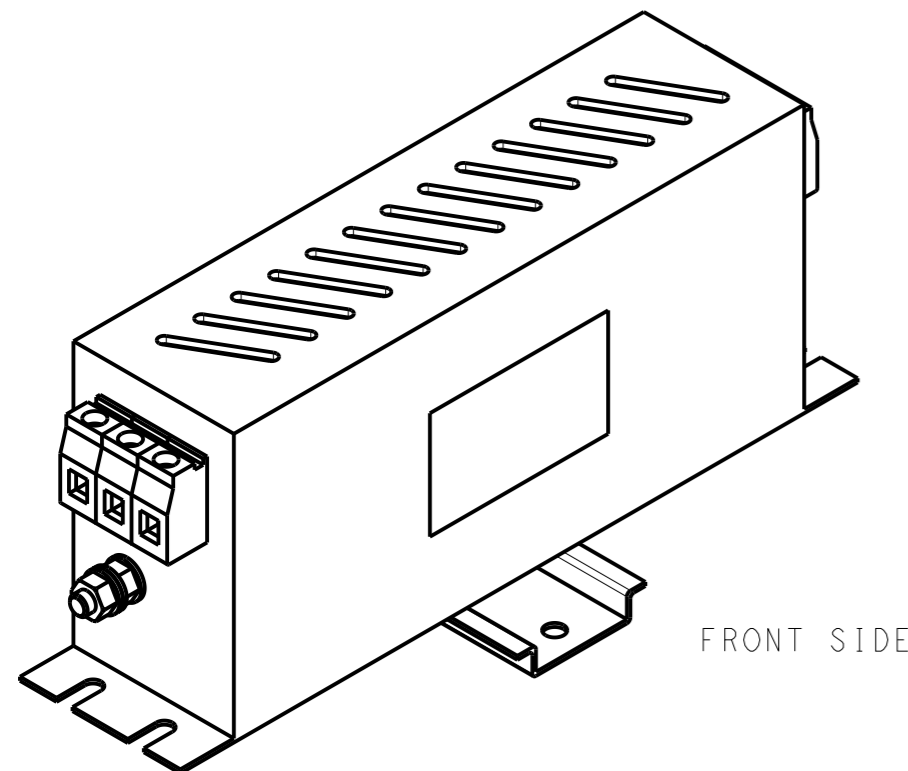
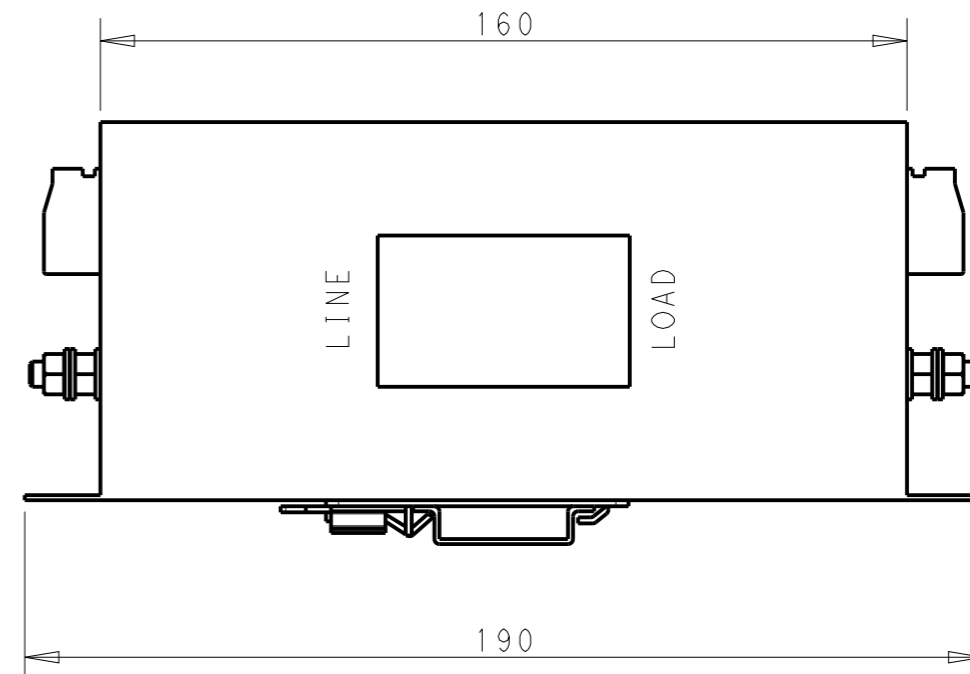
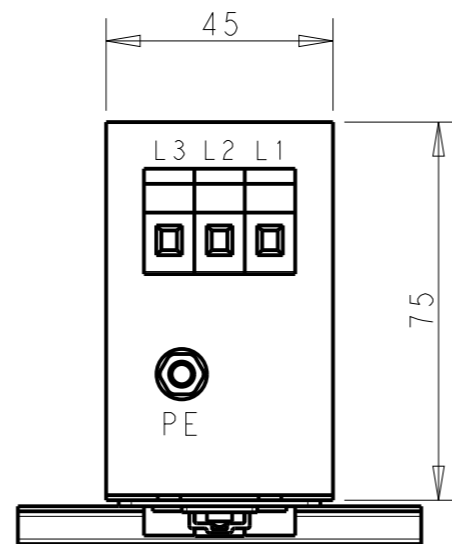
NOTE 1 GROUND CONNECTION:
 FOR ELECTRICAL SAFETY AND FILTER PERFORMANCE
 UNIT MUST HAVE A GOOD GROUND CONNECTION.
 TORQUE OUTER TERMINAL SCREWS: 0.5Nm / 4.5 in.lbs
 TORQUE GROUND NUTS: 2Nm

NOTE 2 INPUT OUTPUT CONNECTION TERMINAL
 AWG SIZE: 26-12 AWG
 WIRE SECTION: 4 mm²
 THREADED BOLT SIZE FOR GROUND: M5

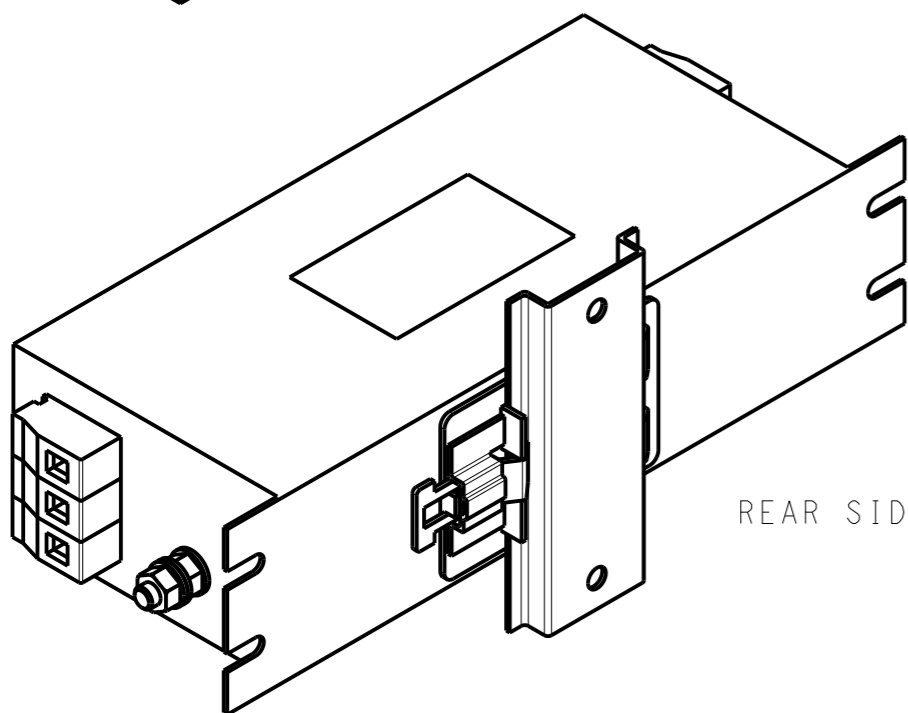
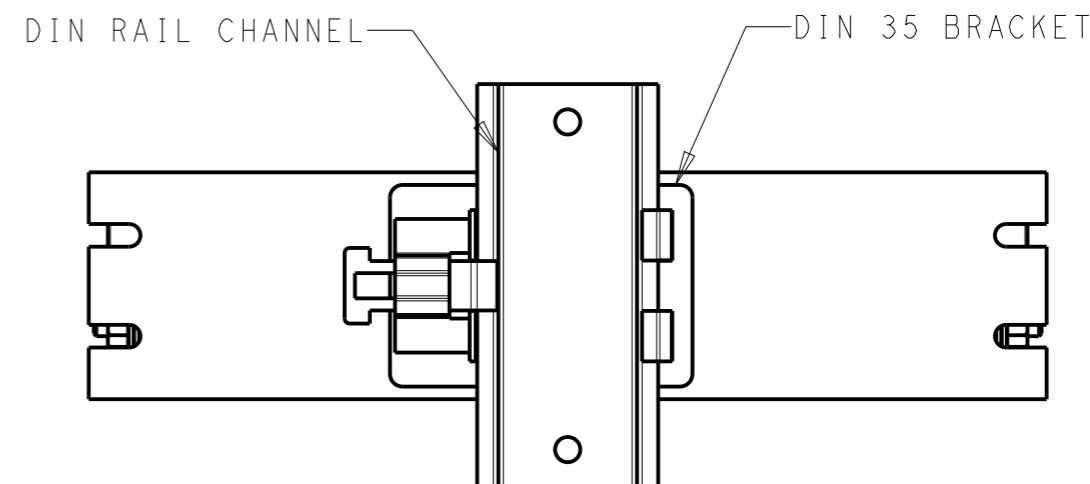
NOTE 3 SUPPLIED WITH DIN RAIL BRACKET

NOTE 4 DRAWINGS SHOWS DIN RAIL FOR
 REFERENCE ONLY

P	LTR	DESCRIPTION	DATE	DWN	APVD
		SEE SHEET 1			



FRONT SIDE



REAR SIDE

THIS DRAWING IS A CONTROLLED DOCUMENT.		DWN	06APR2021	TE TE Connectivity	
		CHK	06APR2021		
		APVD	06APR2021		
		NAME	CHRIS BOLLE		
DIMENSIONS: mm		TOLERANCES UNLESS OTHERWISE SPECIFIED:		PRODUCT SPEC	
		0 PLC	±0.5	APPLICATION SPEC	
		1 PLC	±0.40		
		2 PLC	±0.130		
		3 PLC	±0.0500		
MATERIAL		FINISH		WEIGHT	
				NAME	
				POWER LINE FILTER FOR DIN 35 RAIL INSTALLATION 7KEMS10ABSDDM	
		SIZE	CAGE CODE	DRAWING NO	RESTRICTED TO
		A3	00779	C-8-1609967-1	-
		CUSTOMER DRAWING		SCALE	SHEET
				2:3	2 OF 2
				REV	A