

LOC	DIST	REVISIONS					
DS		P	LTR	DESCRIPTION	DATE	DWN	APVD
			A	RELEASED	09.SEP.'11	YH	HG
			B	REVISED (ECR-13-007729)	10.DEC.'13	SJ	HG
			C	REVISED (ECR-14-000406)	14.JUL.'14	SJ	HG

SEE P/NO 2005475

THIS P/NO IS ADDED BY ANOTHER LOCAL CUSTOMER REQUIREMENT.  
EACH P/NO(2005475, 2109432) HAS SAME PREFIX/SUFFIX P/NO.

PACKING SPECS ARE SAME.


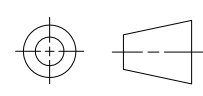
LOCAL	EXPORT	DESCRIPTION	OTHER
2005475-2	2109432-2	105P PLUG LH-A TYPE	ISUZU
1-2005475-2	1-2109432-2	105P PLUG RH-A TYPE	
2-2005475-2	2-2109432-2	105P PLUG LH-B TYPE	
3-2005475-2	3-2109432-2	105P PLUG RH-B TYPE	

RELEASED FOR PUBLICATION

ALL RIGHTS RESERVED.

THIS DRAWING IS UNPUBLISHED.

© COPYRIGHT

DIMENSIONS: MM	DWN SJ CHOI	MATERIAL	FINISH						
	CHK JW JUNG	 TE Connectivity							
TOLERANCES UNLESS OTHERWISE SPECIFIED:	APVD HG CHO			NAME	PCU SEALED 105P PLUG ASS'Y FOR ISUZU				
0 PLC ± 1 PLC ± 2 PLC ± 3 PLC ± 4 PLC ± ANGLES ±	PRODUCT SPEC	SIZE	CAGE CODE	DRAWING NO	RESTRICTED TO				
	APPLICATION SPEC	A4	00779	©= 2109432					
	WEIGHT	CUSTOMER DRAWING		SCALE	N/A	SHEET	1 OF 1	REV	C