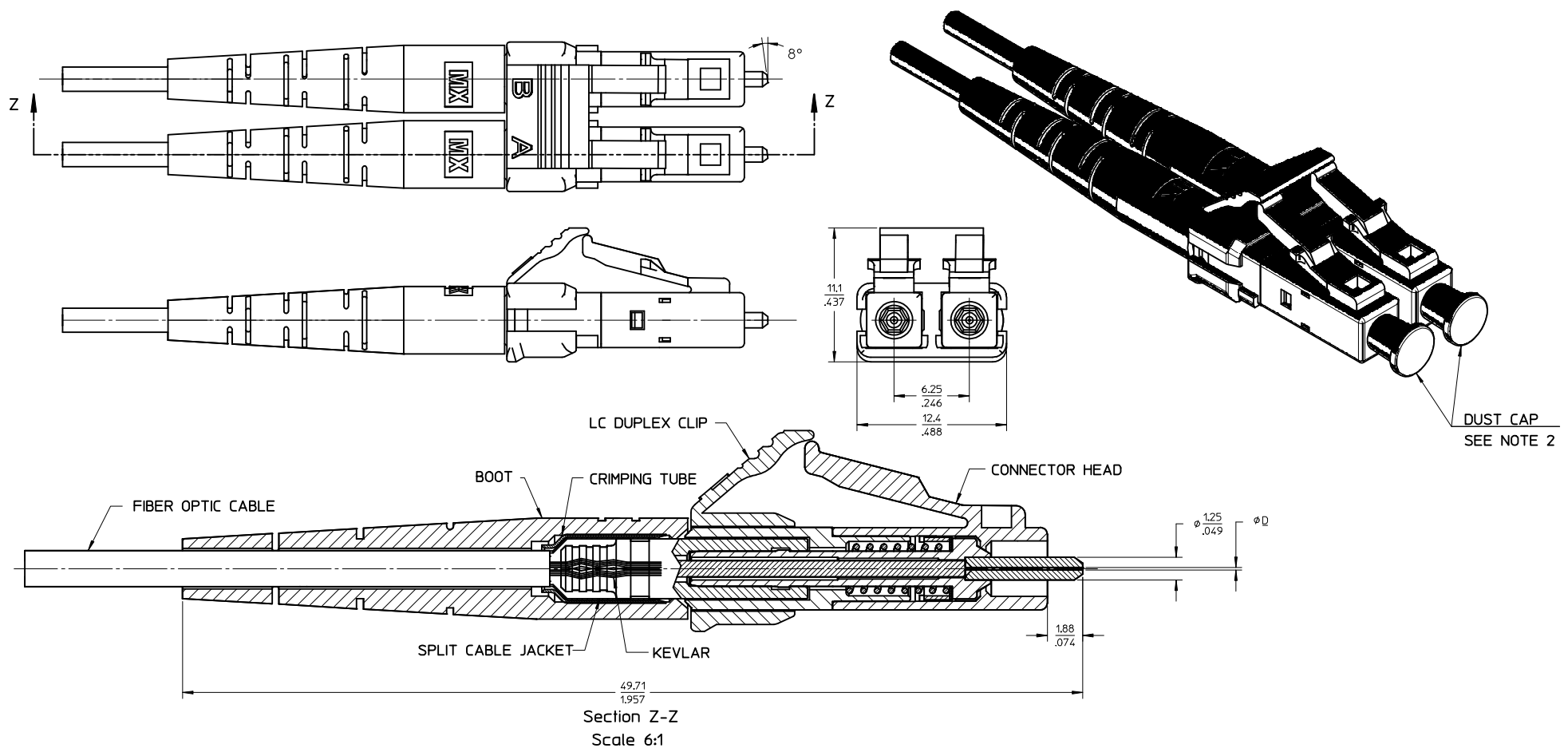


CONNECTOR TYPE	ØD (µm)	COLOR
SINGLE MODE APC	125.5	GREEN



- NOTES:
1. ALL DIMENSIONS ARE FOR REFERENCE ONLY.
  2. DUST CAP SHOWN IN ISO VIEW ONLY.

<b>ENTER DESCRIPTION</b> EC NO: MF2015-0073 DRWNS: SBOJANIC 2014/08/05 CHKD: YBEDNYAK APPR: YBEDNYAK 2014/08/12	QUALITY SYMBOLS	GENERAL TOLERANCES (UNLESS SPECIFIED) <table border="1"> <tr> <th></th> <th>mm</th> <th>INCH</th> </tr> <tr> <td>4 PLACES</td> <td>± .005</td> <td>± .0002</td> </tr> <tr> <td>3 PLACES</td> <td>± .003</td> <td>± .0001</td> </tr> <tr> <td>2 PLACES</td> <td>± .002</td> <td>± .0001</td> </tr> <tr> <td>1 PLACE</td> <td>± .001</td> <td>± .0001</td> </tr> <tr> <td>0 PLACE</td> <td>± .000</td> <td>± .0000</td> </tr> </table>		mm	INCH	4 PLACES	± .005	± .0002	3 PLACES	± .003	± .0001	2 PLACES	± .002	± .0001	1 PLACE	± .001	± .0001	0 PLACE	± .000	± .0000	DIMENSION STYLE	SCALE	DESIGN UNITS	THIRD ANGLE PROJECTION
			mm	INCH																				
	4 PLACES	± .005	± .0002																					
	3 PLACES	± .003	± .0001																					
2 PLACES	± .002	± .0001																						
1 PLACE	± .001	± .0001																						
0 PLACE	± .000	± .0000																						
▼ = 0 ▽ = 0	MM/IN	4:1	INCH																					
REV	DESCRIPTION	APPROVED BY	DATE	TITLE		<b>molex</b> DOCUMENT NO. SD-106021-2100 SHEET NO. 1 OF 1																		
D		YBEDNYAK	2014/08/12	LC/APC DUPLEX CONNECTOR, TIGHT CABLE, GREEN																				
DRAFT WHERE APPLICABLE MUST REMAIN WITHIN DIMENSIONS		MATERIAL NO.	SIZE	THIS DRAWING CONTAINS INFORMATION THAT IS PROPRIETARY TO MOLEX INCORPORATED AND SHOULD NOT BE USED WITHOUT WRITTEN PERMISSION																				
		1060212100	C																					