

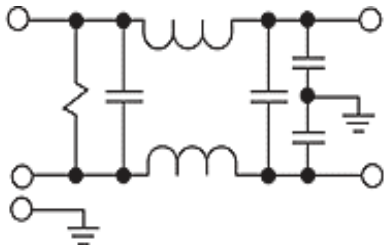
LF

HIGH PERFORMANCE LOW LEAKAGE SWITCH MODE EMI FILTER

FEATURES

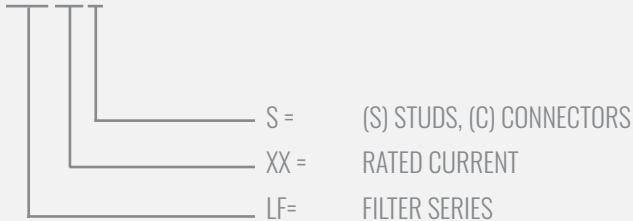
- » **Rated currents** include **2A, 3A, 5A, 7.5A, 10A, 15A, 20A and 40A**
- » Multi-Stage Line Filter
- » Available with **QD** (tabs), **S** (studs) and **C** (connectors) option
- » Low Profile & IEC Connector
- » Agency Approvals UL E78081, CSA LR53652 and TUV
- » Y-cap value can be adjusted to fit specification

ELECTRICAL SCHEMATIC



HOW TO ORDER

LF XX S



NOTE: USE ANY COMBINATION OF -X (AMPS) WITH ANY -Y RATINGS
E.G. **LF3 S**(3 AMPS, STUDS)



SPECIFICATIONS

OPERATING FREQUENCY 50/60Hz
MAX. OPERATING VOLTAGE 250VAC +10%
TERMINALS (-T) QD: 0.25 TABS
STUDS: 8-32 (3-20A)

TYP. WEIGHT, LBS (KG) 0.26 - 2.1 (0.11 - 0.95)

LEAKAGE CURRENT

@ 250 VAC 60 Hz 0 - 1.6 mA Max.

HIPOT RATINGS

LINE TO GROUND 2200 VDC - 2700 VDC

TYPICAL APPLICATIONS

- ✓ Household Appliances
- ✓ Industrial Equipment
- ✓ Power Supplies
- ✓ Consumer Electronics
- ✓ Office Automation Equipment
- ✓ Data Processing Systems

LF

HIGH PERFORMANCE LOW LEAKAGE SWITCH MODE EMI FILTER

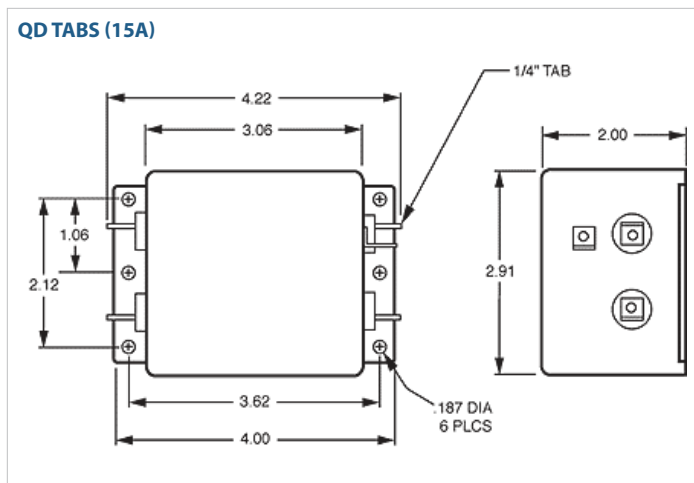
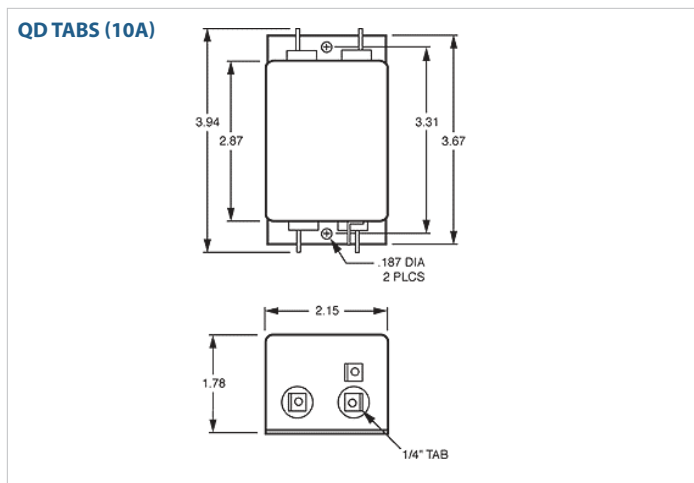
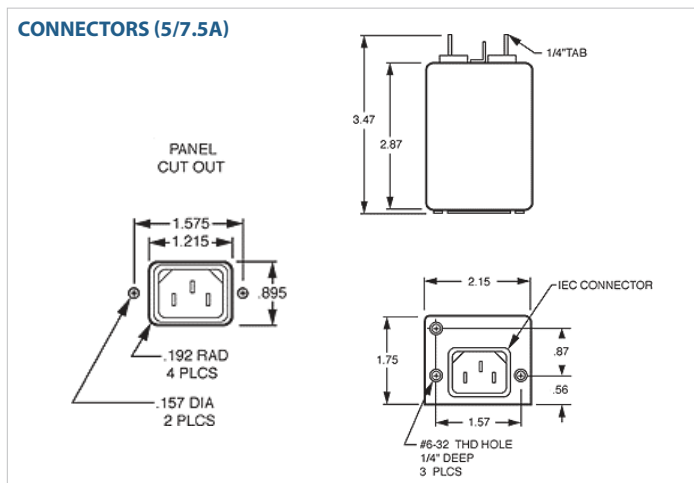
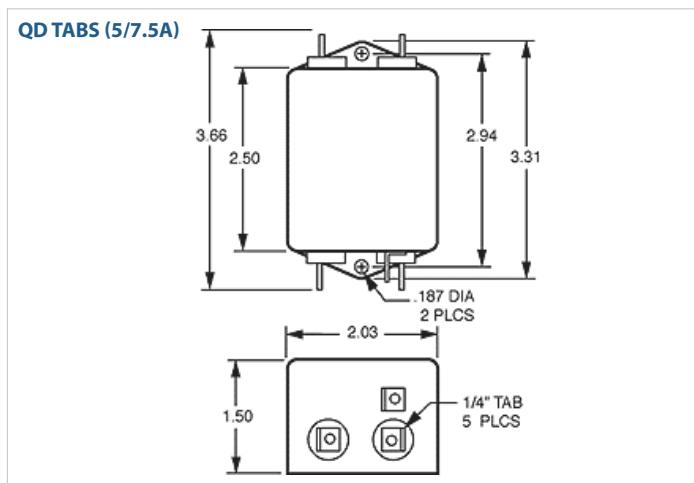
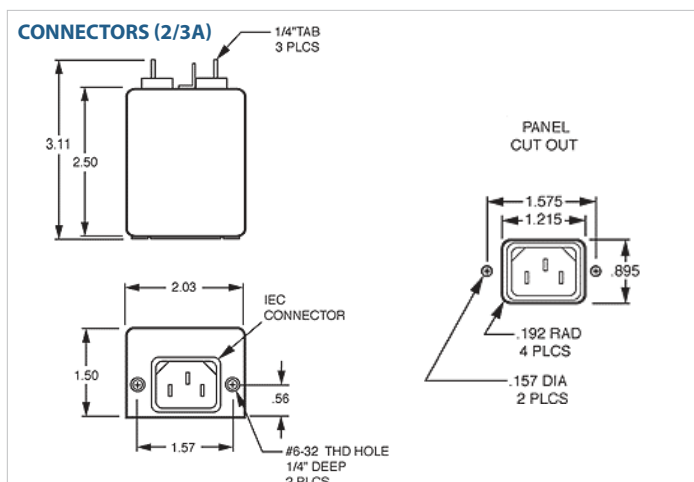
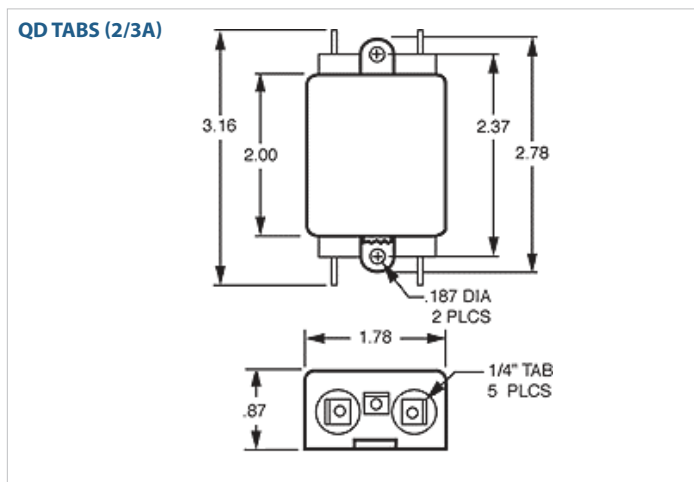
MODEL NO.	RATED CURRENT (A) @ 40° C	Y-CAP, nF	LEAKAGE CURRENT, mA @ 250V AC, 60 Hz	TERMINAL OPTIONS			MAX. DIMENSIONS" (MM)		
				(QD) INPUT/ OUTPUT	(S) INPUT/ OUTPUT	(C) INPUT/ OUTPUT	WIDTH	(LENGTH)	HEIGHT
LF2C	2	2x.0033µF	.45			✓	2.03"	3.1"	1.18"
LF2	2	2x.0033µF	.45	✓			1.78"	3.04"	0.87"
LF3C	3	2x.0033µF	.45			✓	2.03"	3.1"	1.5"
LF3	3	2x.0033µF	.45	✓			2.03"	3.2"	1.25"
LF3 S	3	2x.0033µF	.45		✓		2.03"	3.26"	1.25"
LF3BC S	3	2x.0068µF	.9			✓	*	*	*
LF5C	5	2x.0033µF	.45			✓	2.03"	3.1"	1.5"
LF5	5	2x.0033µF	.45	✓			2.03"	3.7"	1.5"
LF5B	5	2x.0068µF	.9	✓			2.03"	3.7"	1.5"
LF5B	5	2x.0068µF	.9	✓			2.03"	3.7"	1.5"
LF7C	7.5	2x.0033µF	.45			✓	2.15"	3.47"	1.75"
LF7	7.5	2x.0033µF	.45	✓			2.03"	3.7"	1.5"
LF7 S	7.5	2x.0033µF	.45		✓		2.03"	3.76"	1.5"
LF10	10	2x.0033µF	.45	✓			2.15"	4.07"	1.78"
LF10B	10	2x.0068µF	.9	✓			2.15"	4.07"	1.78"
LF10B S03	10	*	.45		✓		*	*	*
LF15	15	2x.0033µF	.45	✓			2.91"	4.26"	2"
LF15 S	15	2x.0033µF	.45		✓		2.91"	4.32"	2"
LF15B	15	2x.0068µF	.9	✓			2.91"	4.26"	2"
LF20	20	2x.0047µF	.80		✓		4.12"	5.17"	1.5"
LF20B S02	20	2x.01µF	1.60		✓		*	*	*
LF40 L	40	*	1.4	*	*	*	*	*	*

*Contact factory for part data.

LF

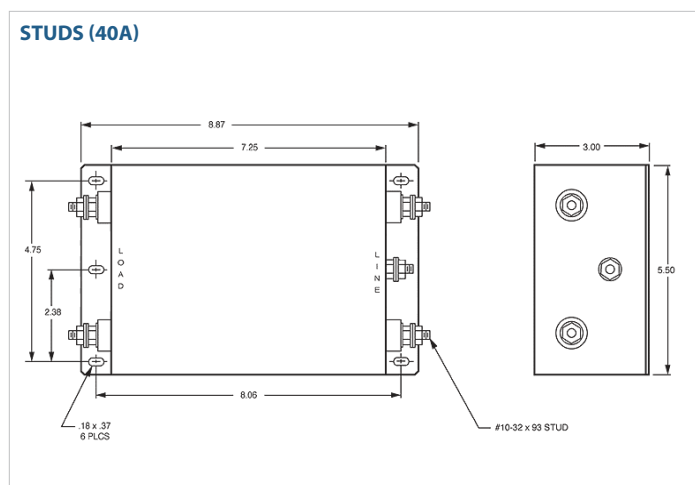
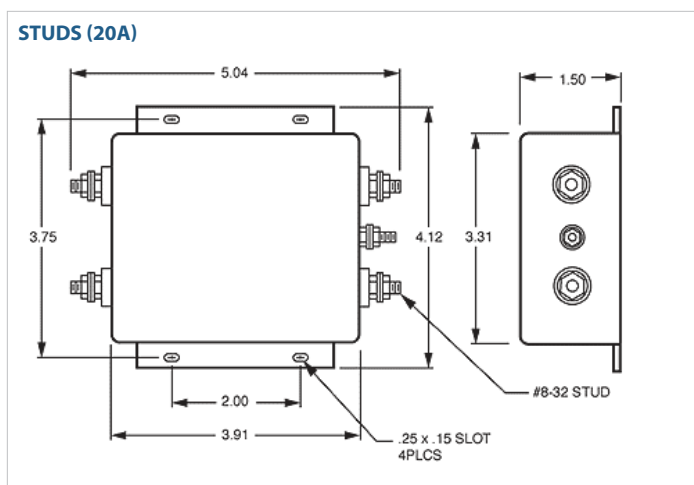
HIGH PERFORMANCE LOW LEAKAGE SWITCH MODE EMI FILTER

LF MECHANICAL OUTLINES (MM)



LF

HIGH PERFORMANCE LOW LEAKAGE SWITCH MODE EMI FILTER



TYPICAL TOLERANCE: +/-0.02" (0.50MM)

TYPICAL INSERTION LOSS, dB (50/50 Ohm)

Amps	Freq (MHz)	0.15	0.5	1.0	10	30
2	CM (dB)	32	60	48	66	75
	DM (dB)	30	42	41	53	59
3	CM (dB)	32	60	48	66	75
	DM (dB)	30	42	41	53	59
5	CM (dB)	34	60	48	66	75
	DM (dB)	30	42	41	53	59
7.5	CM (dB)	34	60	48	66	75
	DM (dB)	30	42	41	53	59
10	CM (dB)	34	60	48	66	75
	DM (dB)	30	42	41	53	59
15	CM (dB)	50	60	48	66	75
	DM (dB)	30	42	41	53	59
20	CM (dB)	50	60	48	66	75
	DM (dB)	30	42	41	53	59
40	CM (dB)	40	60	48	66	75
	DM (dB)	30	42	41	53	59