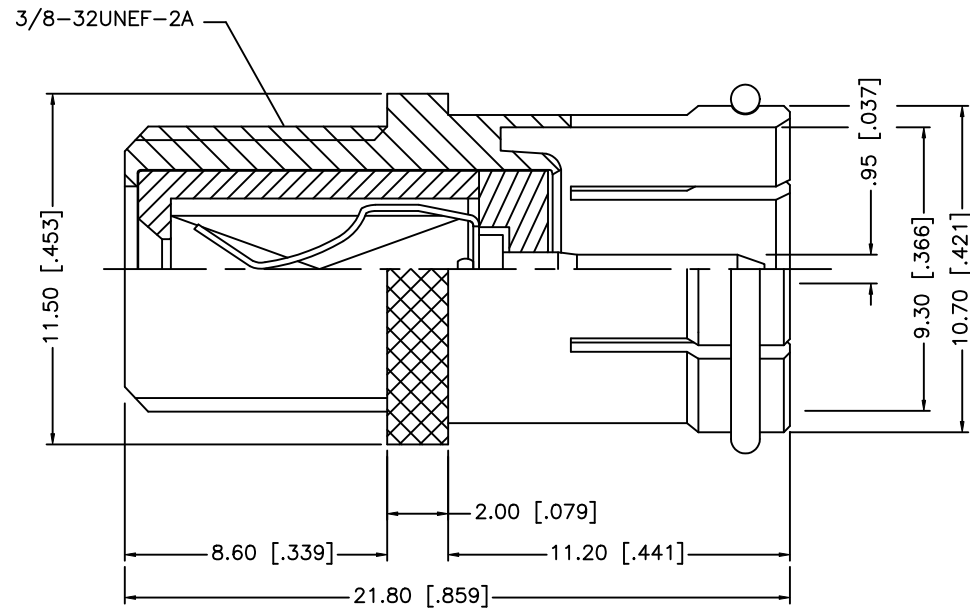


REV.	DATE	ECR NO.	DESCRIPTION
NC	08/20/08	-	INITIAL RELEASE



REV.	DATE	ECR NO.	DESCRIPTION
NC	08/20/08	-	INITIAL RELEASE

8				<small>UNLESS OTHERWISE SPECIFIED DIMENSIONS ARE IN MILLIMETERS. DIMENSIONS IN [] ARE IN INCHES AND FOR CUSTOMER REFERENCE ONLY.</small> <small>UNLESS OTHERWISE SPECIFIED TOLERANCES FOR MILLIMETERS ARE:</small> 0.5 - 8mm ± 0.20mm 8 - 30mm ± 0.40mm 30 - 120mm ± 0.50mm <small>UNLESS OTHERWISE SPECIFIED TOLERANCES FOR INCHES ARE:</small> .020 - .315 = ± 0.007" .315 - 1.180 = ± 0.015" 1.180 - 4.724 = ± 0.020" DO NOT SCALE DRAWING	APPROVALS	DATE	<h1 style="color: blue;">Amphenol Connex</h1>		
7			DRAWN		GRS	08/20/08			
6			CHECKED						
5			ISSUED						
4	CONTACT PIN	BRASS	BRT. TIN		1	PART DESCRIPTION		F JACK TO F PUSH-ON PLUG ADAPTER	
3	INSULATOR	P.P.	NATURAL		1	PART NO.			222157-12
2	INSULATOR	DELRIN	NATURAL		1	SHEET		1 OF 1	
1	BODY	BRASS	NICKEL		1	CAD FILE		C:/222/222157-12.DWG	
	DESCRIPTION	MATERIAL	FINISH	QTY	DWG. NO.	222157-12.DWG	REV. NC	SIZE A	SCALE NA