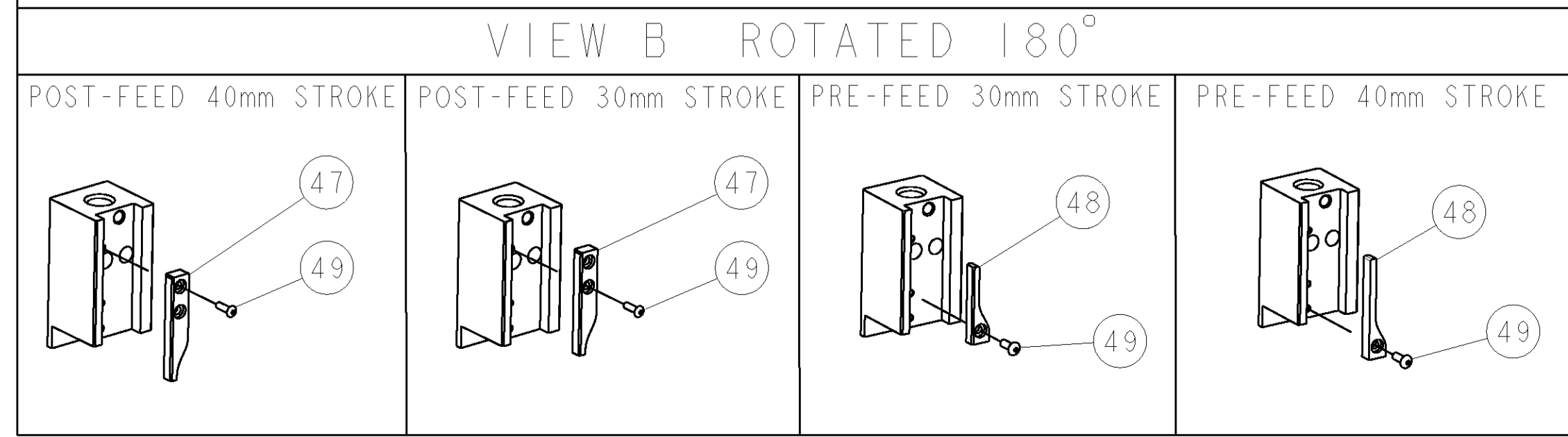
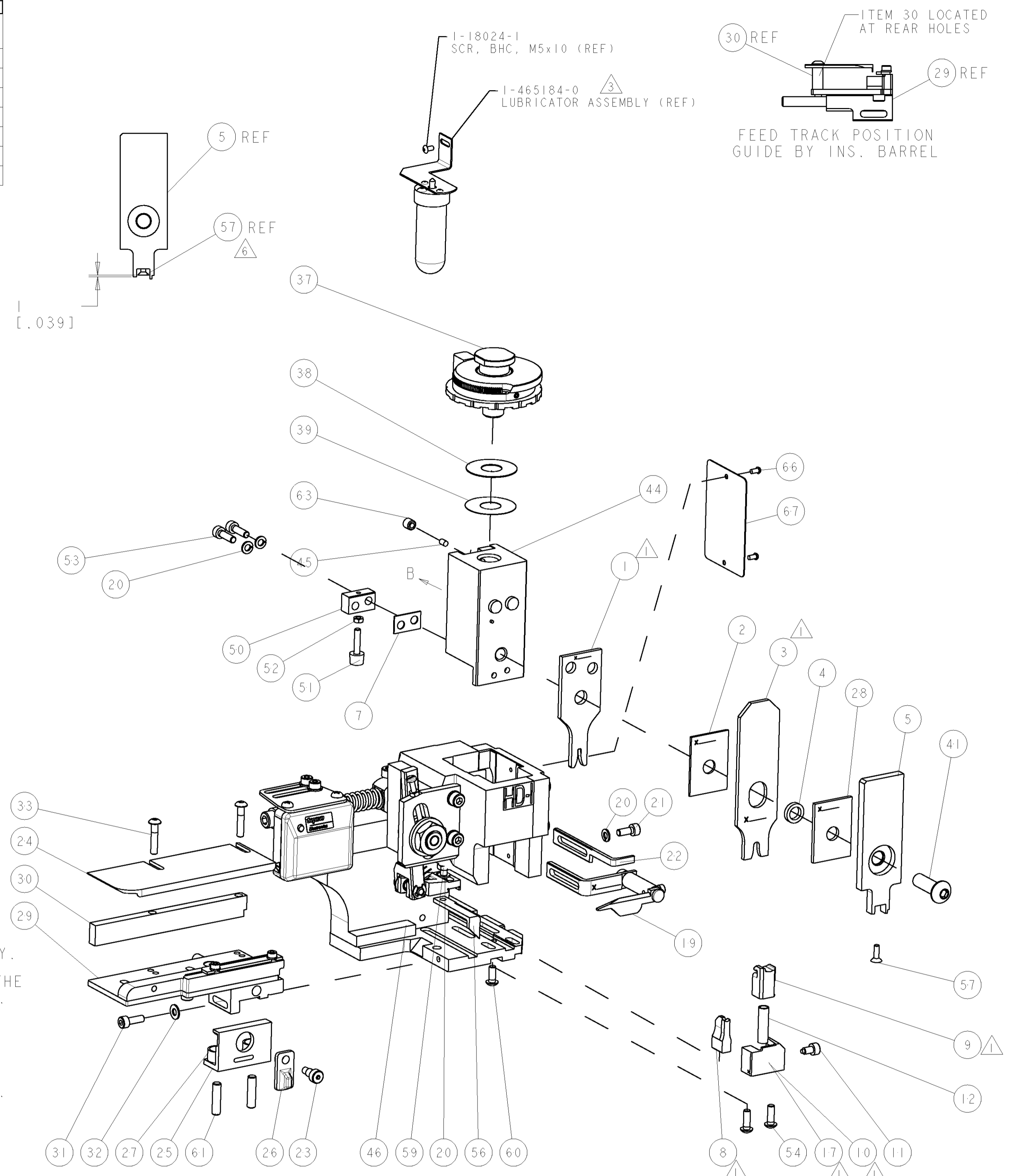


PART NUMBER	REV	TERMINATOR	FEED TYPE	DESCRIPTION
1528916-1	A	LEADMAKER	MECH POST FEED	CUTS CARRIER
1528916-2	A	BENCH	MECH PRE FEED	CUTS CARRIER
1528916-6	A	LEADMAKER	MECH POST FEED	CONTINUOUS CARRIER
7-1528916-1	A	LEADMAKER	MECH POST FEED	-1 AND SPARE PARTS
7-1528916-2	A	BENCH	MECH PRE FEED	-2 AND SPARE PARTS
7-1528916-6	A	LEADMAKER	MECH POST FEED	-6 AND SPARE PARTS
7-1528916-7	A	-	-	SPARE PARTS KIT

CRIMP DATA		TE TERMINAL		TE CRIMP SPECS	
TERMINAL NAME: 1.5mm CONTACT-PIN FOR SINGLE WIRE SEAL					
CRIMP	SIZE	TYPE	RANGE		
WIRE	2.03 [1.080 IN]	F	0.50-1.00mm ²		
INSUL	4.06 [1.160 IN]	O	3.40 MAX [1.134 IN] ⁵		
WIRE STRIP LENGTH 4.20-4.80 [1.165-.189 IN]		APPL INSTRUCTIONS 408-8322 & 408-8490 ⁶			
TERMINAL APPL SPEC		114-18040 ⁸	FEED		12.50 [1.492 IN]
TERMINALS APPLIED					
TERMINAL	SEAL				
1703049	828904				
-	828905				
-	-				
-	-				
WIRE SIZE	CRIMP HEIGHT	REF SETTING			
1.00mm ²	1.45 ± 0.05 [1.057 ± .002 IN]	A 8			
0.75mm ²	1.36 ± 0.05 [1.054 ± .002 IN]	B 4			
0.50mm ²	1.27 ± 0.05 [1.050 ± .002 IN]	C 2			

- ⁸ RECOMMENDED SPARE PARTS.
- 2. GREASE RAM, CAM, CAM FOLLOWER AND FEED ROD LIGHTLY.
- ⁵ CERTAIN TERMINALS REQUIRE LUBRICATION. REFER TO THE APPLICATOR INSTRUCTION SHEET FOR MORE INFORMATION.
- 4. LUBRICATE DAILY PER THE APPLICATOR INSTRUCTION SHEET SUPPLIED WITH THE APPLICATOR.
- ⁵ THIS APPLICATOR APPLIES TERMINAL WITH A SEAL. INSULATION DIA QUOTED IS OUTSIDE DIAMETER OF SEAL. WIRE INSULATION DIA IS DEPENDENT ON SEAL BEING APPLIED.
- SEAL PN INS. DIA RANGE
- 828904 1.2mm - 2.1mm [.047 - .083 IN]
- 828905 2.2mm - 3.0mm [.087 - .118 IN]
- ⁵ APPLY TORQ-SEAL IN ALLEN SOCKET TO FILL HOLE AFTER FLAT HD HAS BEEN ADJUSTED TO CORRECT HEIGHT AT QUALIFICATION. APPLY #1-23419-5 LOC-TITE TO THREADS.
- ⁵ CUT SCREW TO LENGTH AT ASSY.
- ⁵ 114-18040 TO BE USED FOR REFERENCE PURPOSES ONLY.



-77	-76	-72	-71	-6	-2	-1	PART NO	DESCRIPTION	ITEM NO
-	-	-	-	-	-	-	-	-	84
-	-	-	-	-	-	-	-	-	83
-	-	-	-	-	-	-	-	-	82
-	-	-	-	-	-	-	-	-	81
-	-	-	-	-	-	-	-	-	80
-	-	-	-	-	-	-	-	-	79
-	-	-	-	-	-	-	-	-	78
-	-	-	-	-	-	-	-	-	77
-	-	-	-	-	-	-	-	-	76
-	-	-	-	-	-	-	-	-	75
-	-	-	-	-	-	-	-	-	74

SET UP GAGE 458637-3		LOC	DIST	REVISONS					
A	66			DATE	BY	APPV			
				15SEP2008	LJL	MC			
-	-	-	-	-	-	-	73		
-	-	-	-	-	-	-	72		
-	1	1	1	1	1	1	1338705-3	DOCUMENTATION PACKAGE	71
-	-	-	-	-	-	-	-	-	70
-	-	-	-	-	-	-	-	-	69
-	-	-	-	-	-	-	-	-	68
-	1	1	1	1	1	1	461264-5	PLATE, IDENTIFICATION	67
-	2	2	2	2	2	2	21017-2	SCREW, DRIVE	66
-	-	-	-	-	-	-	-	-	65
-	-	-	-	-	-	-	-	-	64
-	1	1	1	1	1	1	3-18031-0	SCR, SET, CUP POINT M6 X 6.0	63
-	-	-	-	-	-	-	-	-	62
-	2	2	2	2	2	2	2-18032-5	SCR, SET, FLT POINT M5 X 20.0	61
-	1	1	1	1	1	1	18024-7	SCR, BTN SKT HD CAP (M4 X 10.0)	60
-	1	1	1	1	1	1	5-18022-2	SCR, HEX HD CAP M4 X 8.0	59
-	-	-	-	-	-	-	-	-	58
-	1	1	1	1	1	1	985575-3	SCR, FLT SKT HD CAP M3 X 10.0	57
-	1	1	1	1	1	1	1338685-1	PAWL, FEED	56
-	-	-	-	-	-	-	-	-	55
-	2	2	2	2	2	2	18024-8	SCR, BTN SKT HD CAP (M4 X 12.0)	54
-	2	2	2	2	2	2	9-18023-6	SCR, SKT HD CAP M4 X 14.0	53
-	1	1	1	1	1	1	18030-1	NUT, HEX, REG M3	52
-	1	1	1	1	1	1	811242-5	BUMPER, HOLD DOWN	51
-	1	1	1	1	1	1	690753-2	SPACER, TONKER	50
-	1	1	1	1	1	1	18024-3	SCR, BTN SKT HD CAP (M3 X 10.0)	49
-	-	-	-	-	-	-	1338675-1	CAM, UNIVERSAL PRE FEED	48
-	1	1	1	1	1	1	1338676-1	CAM, UNIVERSAL POST-FEED	47
-	1	1	1	1	1	1	1320999-3	APPLICATOR SUBASSEMBLY, HDI	46
-	1	1	1	1	1	1	690191-1	PLUG, NYLON	45
-	1	1	1	1	1	1	1338660-1	RAM	44
-	-	-	-	-	-	-	-	-	43
-	-	-	-	-	-	-	-	-	42
-	1	1	1	1	1	1	2-18024-6	SCR, BTN SKT HD CAP (M8 X 25.0)	41
-	-	-	-	-	-	-	-	-	40
-	1	1	1	1	1	1	690125-1	SHIM SUB-ASSY	39
-	1	1	1	1	1	1	469367-9	SHIM	38
-	1	1	1	1	1	1	879103-3	FINE ADJUST HEAD ASSEMBLY	37
-	-	-	-	-	-	-	-	-	36
-	-	-	-	-	-	-	-	-	35
-	-	-	-	-	-	-	-	-	34
-	2	2	2	2	2	2	1-18024-0	SCR, BTN SKT HD CAP (M4 X 20.0)	33
-	1	1	1	1	1	1	18027-2	WASHER, FLAT, REG M4	32
-	1	1	1	1	1	1	1-18023-2	SCR, SKT HD CAP M4 X 12.0	31
-	1	1	1	1	1	1	1320908-8	SPACER, STRIP GUIDE	30
-	1	1	1	1	1	1	1633073-1	STRIP GUIDE ASSEMBLY	29
-	1	1	1	1	1	1	1-455888-9	SPACER, CRIMPER	28
-	2	2	2	2	2	2	1-22284-0	SPRING, COMPRESSION	27
-	1	1	1	1	1	1	356835-1	LEVER, DRAG RELEASE	26
-	1	1	1	1	1	1	240792-1	DRAG, TERMINAL	25
-	1	1	1	1	1	1	1320928-3	PLATE, STRIP GUIDE	24
-	1	1	1	1	1	1	980371-4	SCR, SKT HD SHLDR 5.0 DIA X 6.0	23
-	1	-	1	1	-	1	690472-2	STRIPPER	22
-	1	1	1	1	1	1	1-18023-1	SCR, SKT HD CAP M4 X 10.0	21
-	4	4	4	4	4	4	18025-2	WASHER, SPRG LOCK, REG M4	20
-	-	-	-	-	-	-	1424364-1	STRIPPER/ WIRE STOP ASSY	19
-	-	-	-	-	-	-	-	-	18
-	1	-	-	-	-	-	1338684-2	SHEAR HOLDER, FRONT	17
-	-	-	-	-	-	-	-	-	16
-	-	-	-	-	-	-	-	-	15
-	-	-	-	-	-	-	-	-	14
-	-	-	-	-	-	-	-	-	13
-	1	1	1	1	1	1	3-22280-3	SPRING, COMPRESSION	12
-	1	1	1	1	1	1	356885-5	STOP, SHEAR	11
-	-	1	1	-	1	1	1-1320921-0	SHEAR HOLDER, FRONT, CUT	10
-	1	1	1	1	1	1	318707-1	FLOATING SHEAR, FRONT	9
1	2	2	2	1	1	1	1338693-9	ANVIL, COMBINATION .080	8
-	1	1	1	1	1	1	3-240641-8	SPACER	7
-	-	-	-	-	-	-	-	-	6
-	1	1	1	1	1	1	1338680-1	DEPRESSOR, SHEAR	5
-	1	1	1	1	1	1	3-238011-3	BLOCK, CRIMPER SPACER	4
1	2	2	2	1	1	1	8-683454-9	CRIMPER, INSULATION O	3
-	1	1	1	1	1	1	1-455888-1	SPACER, CRIMPER	2
1	2	2	2	1	1	1	1-456405-6	CRIMPER, WIRE PREMIUM	1