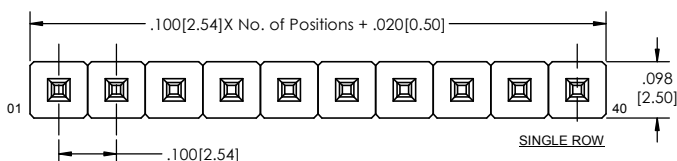
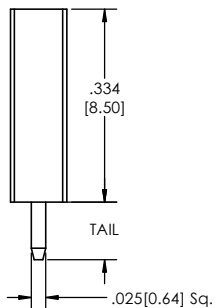
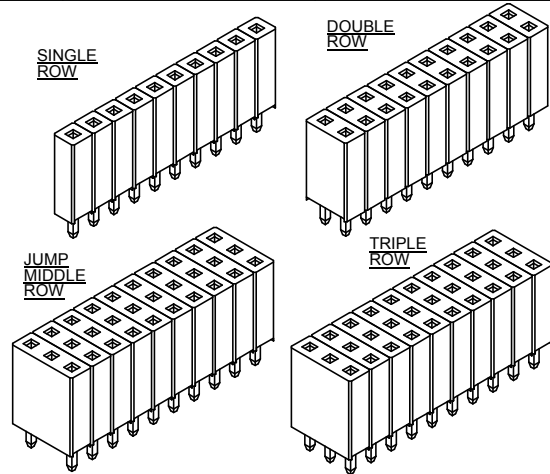
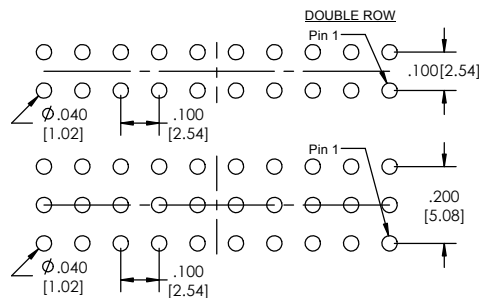
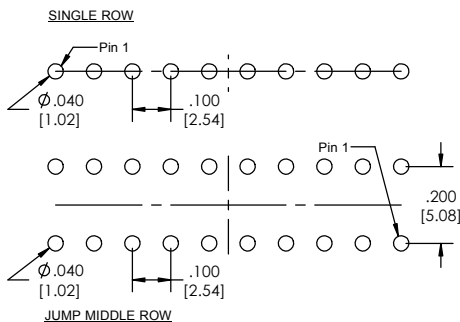
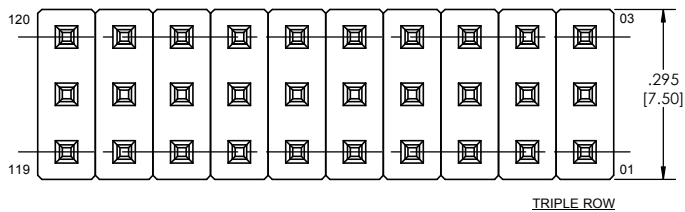
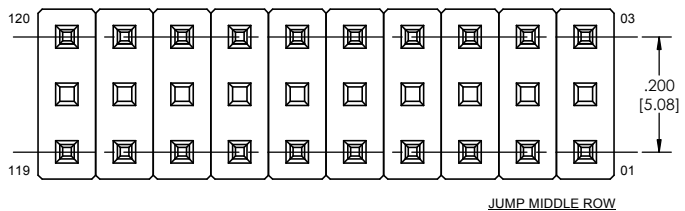
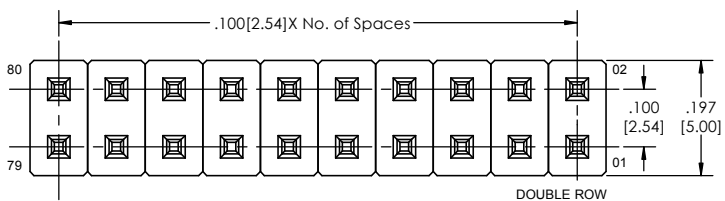
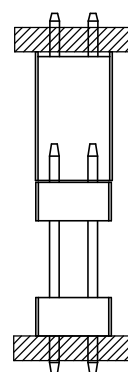


Recommended P.C. Board  
SCALE 4:1



APPLICATION



SSHQ-1 [XX] - [X] - [XX] - [XX] - [XX] - [XXX] - [LF]  
(A) (B) (C) (D) (E) (F) (G)

- A. Pins Per Row - 1 through 40
- B. Row Specification
  - S= Single
  - D= Double
  - J= Jump Middle
  - T= Triple
- C. Pin Options
  - See Pin Options below
- D. Plating Options
  - See Plating Options below
- E. Lock Tight "LT" (Optional)
  - Leave blank if not needed
  - LT= With
- F. Polarized Position
  - Leave blank if not needed
  - If required, specify empty pin position
  - e.g. 012 for Pin 12
- G. Lead Free

Mates with:  
 BSTC TSHCR  
 BSTCM TSHCRE  
 BSTCR TSHCRSM  
 BSTCRSM TSHR  
 BSTS TSHRE  
 LBSTCM TSHS  
 LTSHCR TSHSCM  
 LTSHCRE TSHSM  
 LTSHR ULTSHSM  
 LTSHRE ULTSHC  
 LTSHSM ULTHSCR  
 TSHC

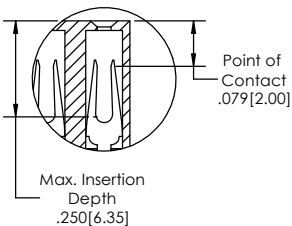
Plating options	
G	-10µ Gold on Contact Area/ Flash on Tail
T	-Matte Tin all Over
GT	-10µ Gold on Contact Area/ Matte Tin on Tail
H	-30µ Gold on Contact Area/ Matte Tin on Tail
F	-Gold Flash over Entire Pin
FT	- Gold Flash on Contact Area/ Matte Tin on Tail

Specifications:  
 Insertions Depth: .145[3.68] to .250[6.35]  
 Insertion Force- Per Contact- H Plating:  
 6oz.[1.67N] avg with .025[0.64mm] sq. pin  
 Withdrawal Force- Per Contact- H Plating:  
 5oz.[1.39N] avg with .025[0.64mm] sq. pin  
 Current Rating: 3.0 Ampere  
 Insulation Resistance: 1000M Ohms Min.  
 Dielectric Withstanding: 600V AC  
 Contact Resistance: 20M Ohms Max.  
 Operation Temperature: -40°C to +105°C  
 Max. Process Temperature  
 Peak: 260°C up to 20 secs.  
 Process: 230°C up to 60 secs.  
 Wave: 260°C up to 6 secs.  
 Manual Solder: 350°C up to 5 secs.

Pin Option		
Length	Tail Length	
.435[11.05mm]	.100[2.54mm]	02
.453[11.51mm]	.120[3.05mm]	04
.525[13.34mm]	.190[4.83mm]	06
.725[18.42mm]	.390[9.91mm]	08
.895[22.73mm]	.560[14.22mm]	10

Materials:  
 Contact Material: Phosphor Bronze  
 Insulator Material: Nylon 6T  
 Plating: Au or Sn over 50µ" (1.27) Ni

Tails may be clipped to achieve specific dimensions.  
 Products cut to specific sizes are uncancellable/ nonreturnable.  
 Parts are subject to change without notice.



PROPRIETARY AND CONFIDENTIAL  
 THE INFORMATION CONTAINED IN THIS DRAWING IS THE SOLE PROPERTY OF Major League Electronics. ANY REPRODUCTION IN PART OR AS A WHOLE WITHOUT THE WRITTEN PERMISSION OF Major League Electronics IS PROHIBITED.

UNLESS OTHERWISE SPECIFIED:		NAME	DATE
DIMENSIONS ARE IN INCHES		EOW	01/20/15
TOLERANCES:		GWE	01/20/15
ONE DECIMALS ±.100			
TWO DECIMAL ±.100			
THREE DECIMAL ±.005			
FOUR DECIMAL ±.002			
NEXT ASSY	USED ON	FINISH	
APPLICATION	DO NOT SCALE DRAWING		

ADDRESS:  
 2533 Centennial Blvd.  
 Jeffersonville, IN 47130  
 Phone: 812-670-4174  
 Fax: 812-670-4175  
 E-Mail: mle@mlelectronics.com



TITLE: SSHQ-1 SERIES	
SIZE DWG. NO.	REV B
C	
SCAEL 6:1	SHEET 1 OF 1