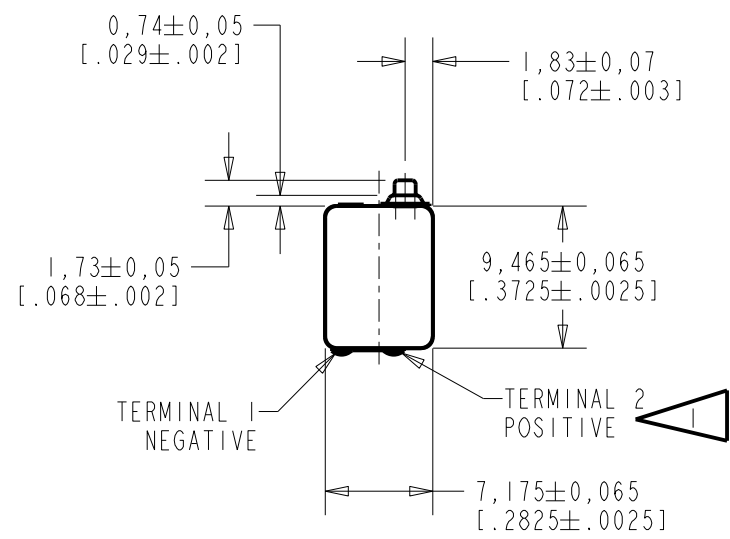


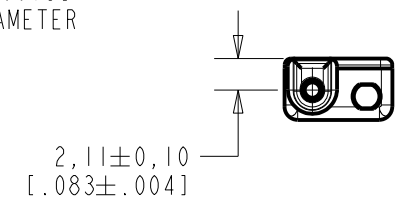
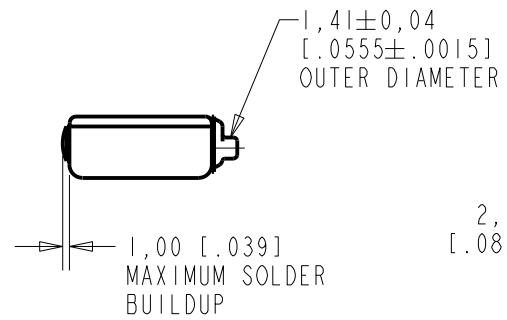
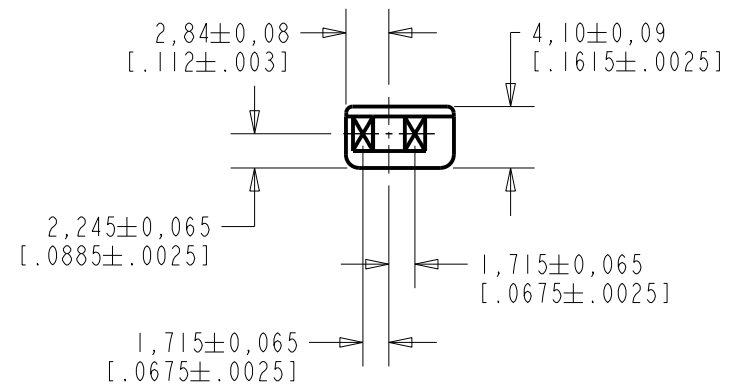
CI-28434-000

SHT 1.1



NOTES:

1 A POSITIVE GOING VOLTAGE AT TERMINAL 2, RELATIVE TO TERMINAL 1, CAUSES A DECREASE IN PRESSURE AT THE SOUND OUTLET.



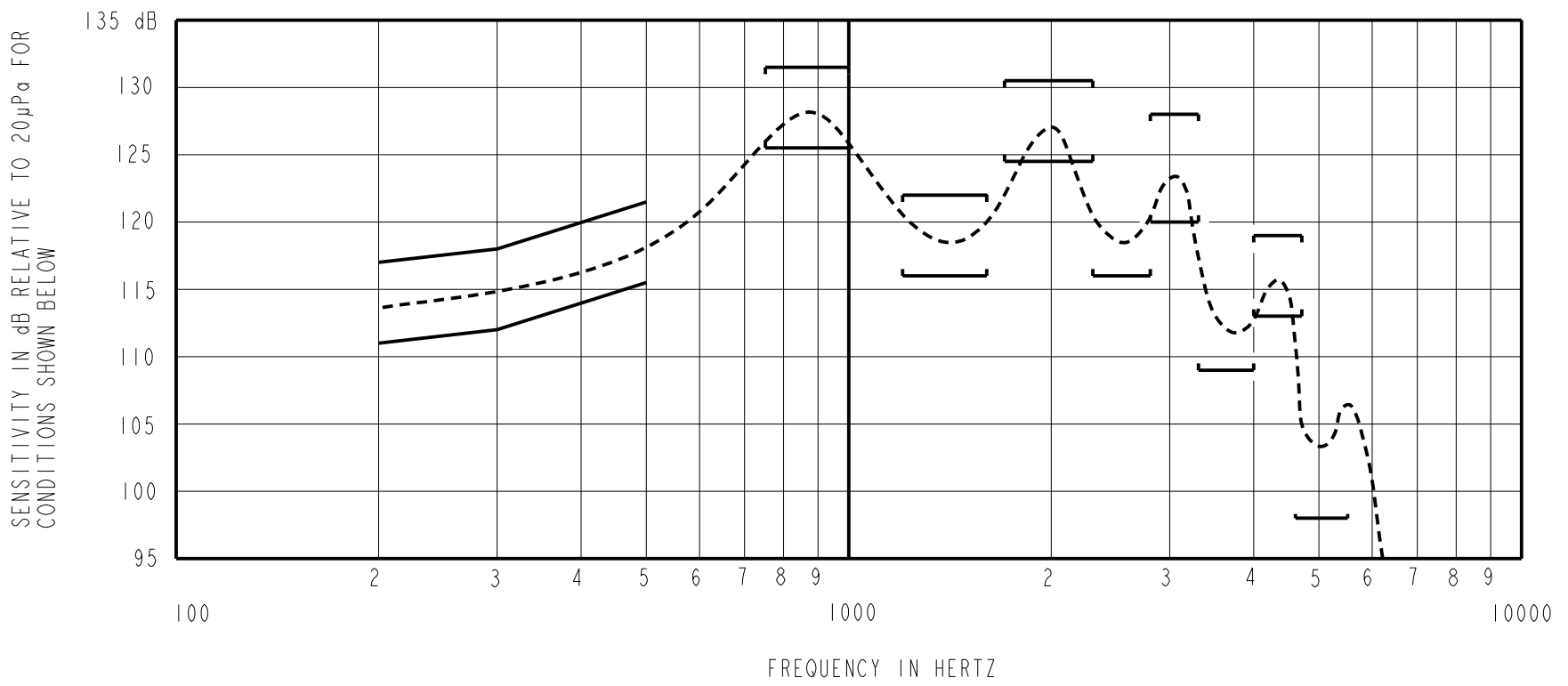
DIMENSIONS IN MILLIMETERS [INCHES]

| Revision | C.O. #    | Implementation Date | RELEASE LEVEL | REVISION |
|----------|-----------|---------------------|---------------|----------|
| C        | C10111948 | 12-31-10            | Active        | C        |
| B        | C10104727 | 9-12-06             |               |          |
| A        | C10103475 | 11-30-05            |               |          |

|                      |                 |         |          |
|----------------------|-----------------|---------|----------|
| SCALE:               | 2:1             | DR. BY  | DATE     |
| DO NOT SCALE DRAWING |                 | DMS     | 11-30-05 |
| TITLE:               | RECEIVER        | CK. BY  | DATE     |
|                      | OUTLINE DRAWING | GJP     | 12-5-05  |
|                      |                 | APP. BY | DATE     |
|                      |                 | GJP     | 12-5-05  |
|                      |                 |         |          |

**KNOWLES ELECTRONICS**  
ITASCA, ILLINOIS U.S.A.

CI-28434-000  
SHT 1.1



NOTES:

1. MEASUREMENTS MADE USING 8mm (.315") X 1mm (.039") ID + 28mm (1.10") X 1.5mm (.59") ID EAR HOOK SIMULATOR INTO 25mm (.984") OF 2mm (.079") ID TUBE + 18mm (.709") OF 3mm (.118") ID TUBE + 2 cm<sup>3</sup> CAVITY ANSI S3.6 TYPE HA-3 (IEC 60318-5).

2. SENSITIVITY

| FREQUENCY | MIN.  | MAX.  |
|-----------|-------|-------|
| 200       | 111.0 | 117.0 |
| 300       | 112.0 | 118.0 |
| 500       | 115.5 | 121.5 |
| 750-1000  | 125.5 | 131.5 |
| 1200-1600 | 116.0 | 122.0 |
| 1700-2300 | 124.5 | 130.5 |
| 2300-2800 | 116.0 | ---   |
| 2800-3300 | 120.0 | 128.0 |
| 3300-4000 | 109.0 | ---   |
| 4000-4700 | 113.0 | 119.0 |
| 4600-5500 | 98.0  | ---   |

3. RESPONSE, IMPEDANCE, AND DISTORTION MEASUREMENTS MADE USING THE ELECTRICAL TEST CONDITIONS SHOWN BELOW.

4. INDIVIDUAL SPECIFICATIONS.

| PORT LOCATION | ELECTRICAL TEST CONDITIONS |       |            |       | IMPEDANCE @ 500 Hz OHMS ± 20% | DCR @ 20°C OHMS ± 10% | DISTORTION |          |
|---------------|----------------------------|-------|------------|-------|-------------------------------|-----------------------|------------|----------|
|               | RESPONSE & IMPEDANCE       |       | DISTORTION |       |                               |                       | MAX. %     | FREQ. Hz |
|               | AC mA RMS                  | DC mA | AC mA RMS  | DC mA |                               |                       |            |          |
| 1S            | 3.18                       | 0.0   | 6.35       | 0.0   | 69                            | 24                    | 10         | 500      |

5. ELECTRICAL SOURCE IMPEDANCE MUST BE GREATER THAN 20 TIMES STATED IMPEDANCE FOR TEST CONDITIONS ABOVE.

| Revision | C.O. #    | Implementation Date | RELEASE LEVEL | REVISION |
|----------|-----------|---------------------|---------------|----------|
| C        | CI0111948 | 12-31-10            | Active        | C        |
| B        | CI0104727 | 9-12-06             |               |          |
| A        | CI0103475 | 11-30-05            |               |          |

**KNOWLES ELECTRONICS**  
ITASCA, ILLINOIS U.S.A.

WHEN TEST LIMITS ARE USED TO ESTABLISH INCOMING INSPECTION ACCEPTANCE/REJECTION CRITERIA, CORRELATION OF TEST EQUIPMENT WITH KNOWLES IS ALSO REQUIRED FOR ELIMINATION OF EQUIPMENT AND TEST METHOD VARIATION

TITLE: **RECEIVER**  
PERFORMANCE SPECIFICATION

**CI-28434-000**  
SHT 2.1

| DR. BY  | DATE     |
|---------|----------|
| DMS     | 11-30-05 |
| CK. BY  | DATE     |
| GJP     | 12-5-05  |
| APP. BY | DATE     |
| GJP     | 12-5-05  |