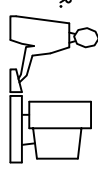
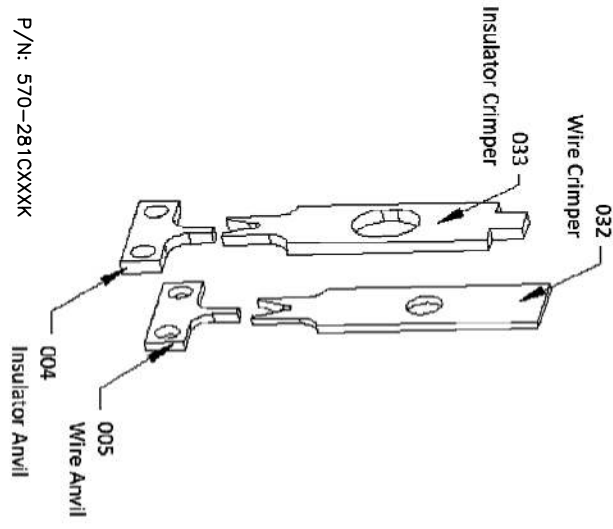
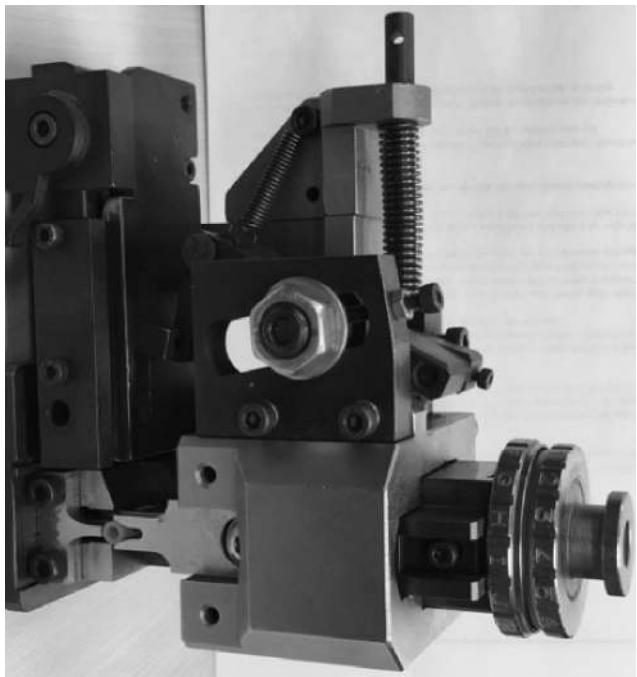


THIS IS A C.A.D. GENERATED DRAWING  
DO NOT MAKE MANUAL REVISIONS TO MASTER.



ISSUE NUMBER  
ORIGINAL  
①



P/N: 570-281CXXXX

PRESS TYPE	K PRESS
STROKE LENGTH	30.00 MM
SHUT HEIGHT	119.55 MM
AWG	14-22

REPLACEMENT PUNCH & DIE PARTS			
INSULATOR ANVIL	WIRE ANVIL	WIRE CRIMPER	INSULATOR CRIMPER
570-281C004K	570-281C005K	570-281C032K	570-281C033K

- NOTES:
- 1- THIS APPLICATOR IS DESIGNED TO BE USED ON A K CRIMPING MACHINE.
  - 2- THIS APPLICATOR IS DESIGNED FOR CRIMPING EDAC CONTACT P/N 570-290-731 AND 570-291-731.
  - 3- FOR THE DEFINITION OF STROKE LENGTH AND SHUT HEIGHT, APPLICATOR SETUP AND OPERATING INSTRUCTION, PLEASE REFER TO DOCUMENT "APPLICATOR INSTRUCTION MANUAL K PRESS".

K PRESS APPLICATOR FOR 570-29X-731

**EDAC INC**  
TORONTO, ONTARIO  
CANADA

THESE DRAWINGS AND SPECIFICATIONS ARE THE PROPERTY OF EDAC INC. AND SHALL NOT BE REPRODUCED, OR COPIED OR USED AS THE BASIS FOR THE MANUFACTURE OR SALE OF APPARATUS WITHOUT WRITTEN PERMISSION.

ACAD REFERENCE NO. 570-280-753K	DRAWN: K.L.	DATE: OCT.29/2020
	CHECKED: R.S.M.	DATE: OCT.29/2020
SCALE: N.T.S.	SHEET 1 OF 1	
DRAWING NUMBER 570-280-753K	ISSUE 1	