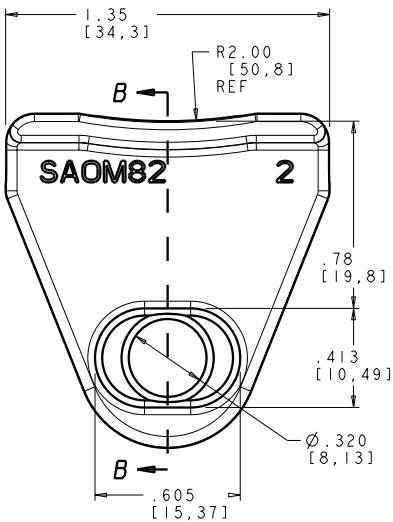
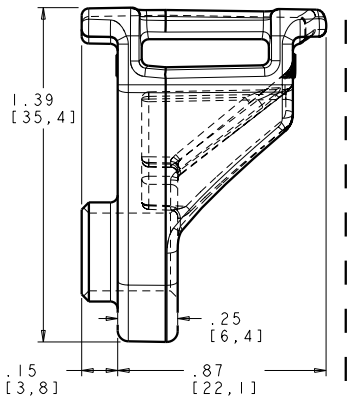


- FEATURES:
- STANDS OFF BUNDLE AWAY FROM BURR EDGE OF FRAME RAIL CROSS MEMBERS
  - OVAL FEATURE ORIENTATES BUNDLES TO OPTIMAL ROUTING LOCATION
  - BROAD SADDLE SURFACE TO MINIMIZE PINCHING & CRUSHING OF BUNDLES
  - "H" PROFILE ON SADDLE PROVIDES FOR TIGHT CIRCUMFERENTIAL LOOP ON LARGE AND SMALL BUNDLES
  - SADDLE WILL HANDLE BUNDLES RANGING FROM 1/2" TO 5"
  - ACCEPTS MOST STANDARD CABLE TIES UP TO 1/2" WIDE
  - REQUIRES A MINIMUM PANEL THICKNESS OF .150"
  - FASTEN MOUNT WITH BOLT, SCREW, RIVET, SPIKE, ETC...
  - MOUNTING HOLE DIAMETER WORKS WITH 8mm 5/16" BOLTS & STUDS
  - WITHSTANDS 115 in-lb OF TORQUE APPLIED TO FASTENER
  - RUGGED HEAVY DUTY DESIGN & MATERIAL
  - 250 lb ASSEMBLY STRENGTH PERPENDICULAR TO BOLT AXIS

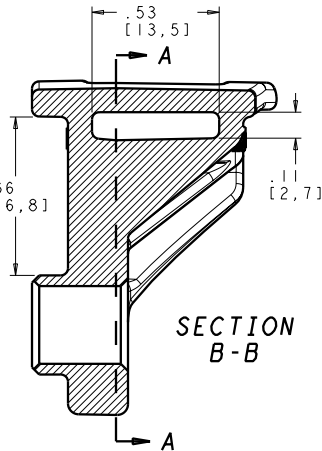
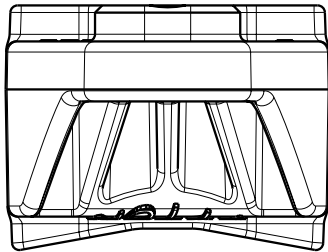
"H" PROFILE SURFACE



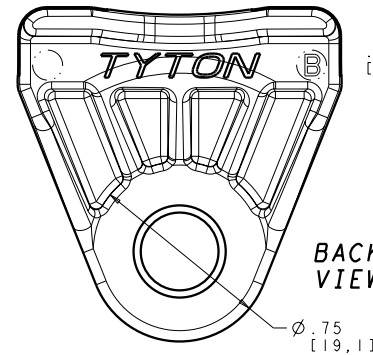
BACK VIEW



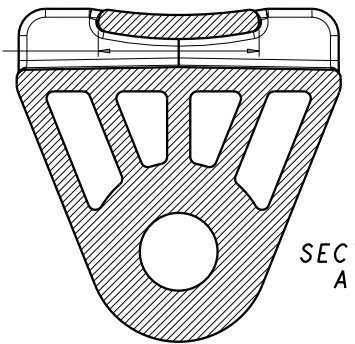
BACK VIEW



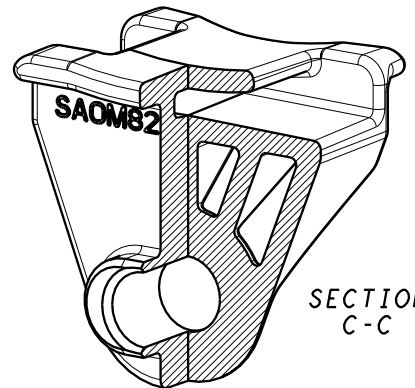
SECTION B-B



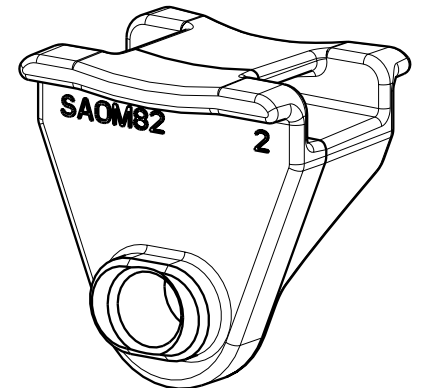
BACK VIEW



SECTION A-A



SECTION C-C



INVENTORS

**HellermannTyton®**

ALL PROPRIETARY RIGHTS IN THE SUBJECT MATTER SHOWN ON THIS DRAWING ARE EXCLUSIVE PROPERTY OF HELLERMANNTYTON

name	date	city, state
GERRY GEIGER	1/8/01	JACKSON WI

REVISION

level	description	date	ECN #	part level
03	GGG	6/18/02	003218	B

DIMENSIONS

.XXXX= ±0.0010
.XXX= ±0.010
.XX= ±0.02
.X= ±0.1
∠= ±0.5
units inches/[mm]

PART

number	SAOM82	phase	PRODUCTION
name	SADDLE w/ AXIAL OVAL MOUNT for 8MM BOLT - STYLE #2		
material	IMPACT MODIFIED, HEAT STABILIZED, NYLON 6/6 BLACK		

DRAWING

FORMAT AH version J	CAD PRO-E	scale 5/4
computer file number	previous number	
drawn G GEIGER	checked	approved
1/10/01		
type CUSTOMER	sheet 1 of 1	
number	MT2023006CST	