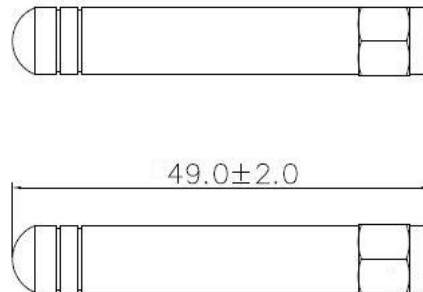


ELECTRICAL SPECIFICATION

PARAMETER		VALUE	UNIT
Frequency Range		824 ~ 960 1710 ~ 2170	MHz
Polarization		Linear	-
Radiation Pattern		Omni-Directional	-
Gain (Peak)		2.0	dBi
VSWR, max	@880 MHz	2.5	-
	@1880 MHz	2.5	-
Impedance		50	Ω
Material of Radiator		Cu	-
Connector		SMA Male	-
Operating Temperature Range		-40 ~ +70	$^{\circ}\text{C}$
Storage Temperature Range		-40 ~ +80	$^{\circ}\text{C}$
RoHS Compliant		YES	-



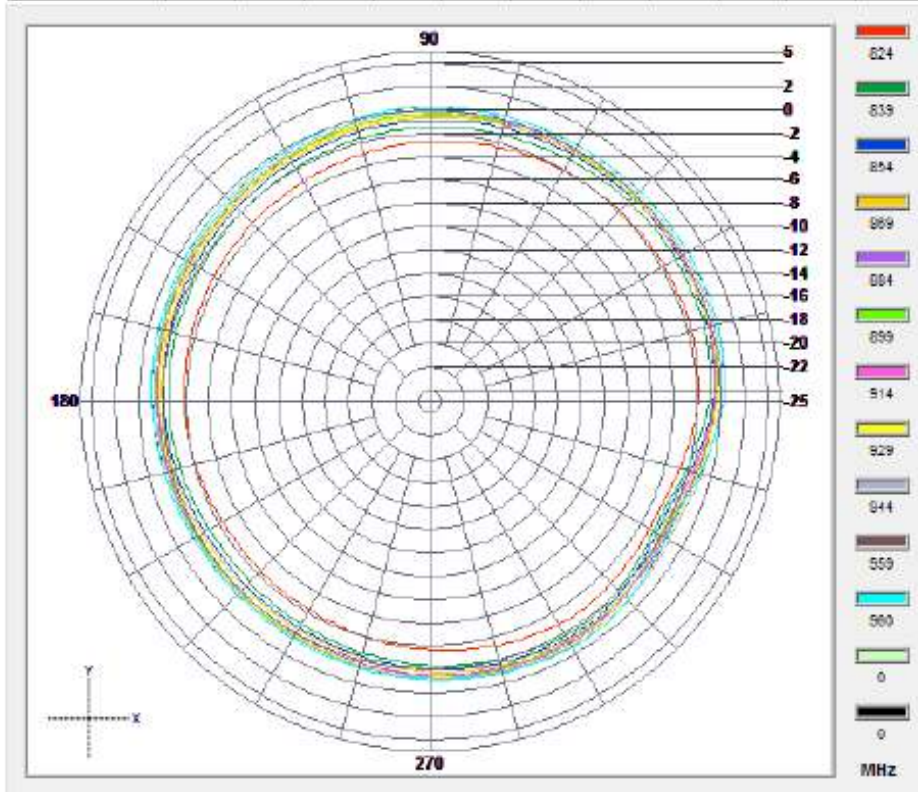
DIMENSIONS

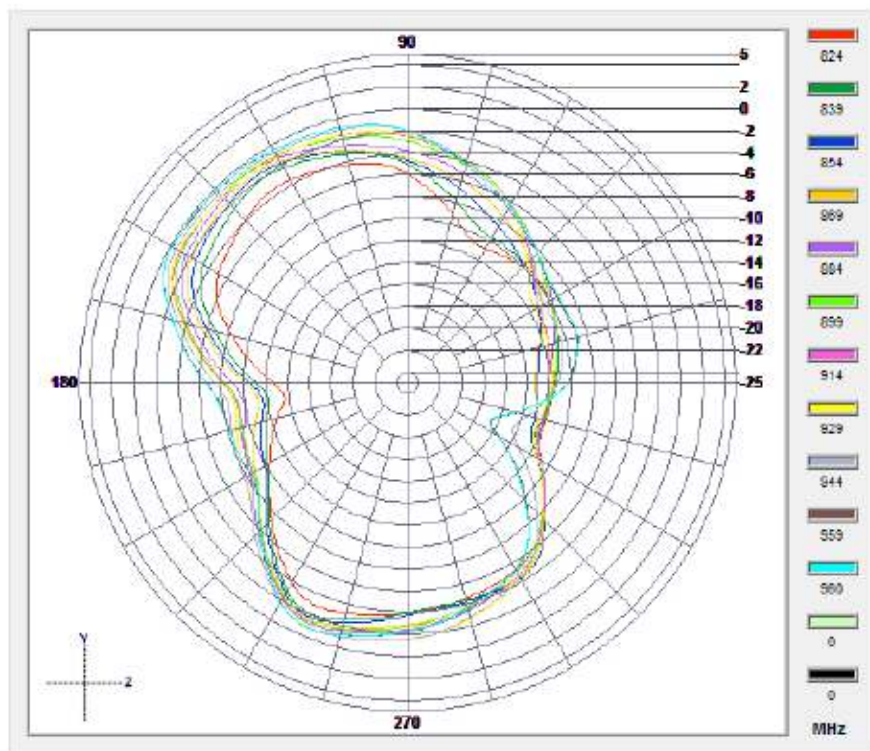
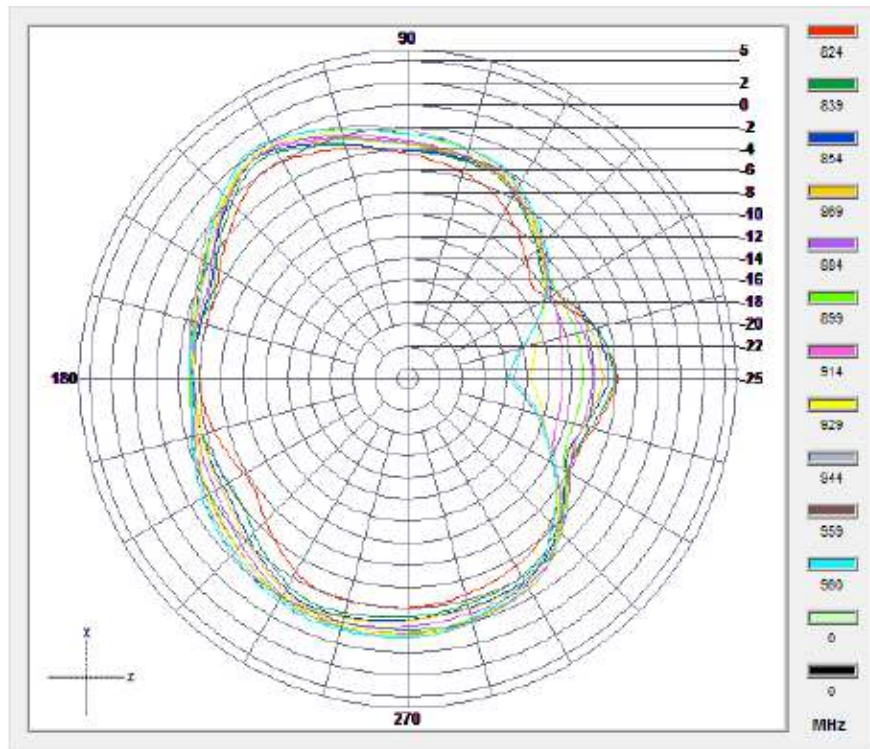


Unit: mm

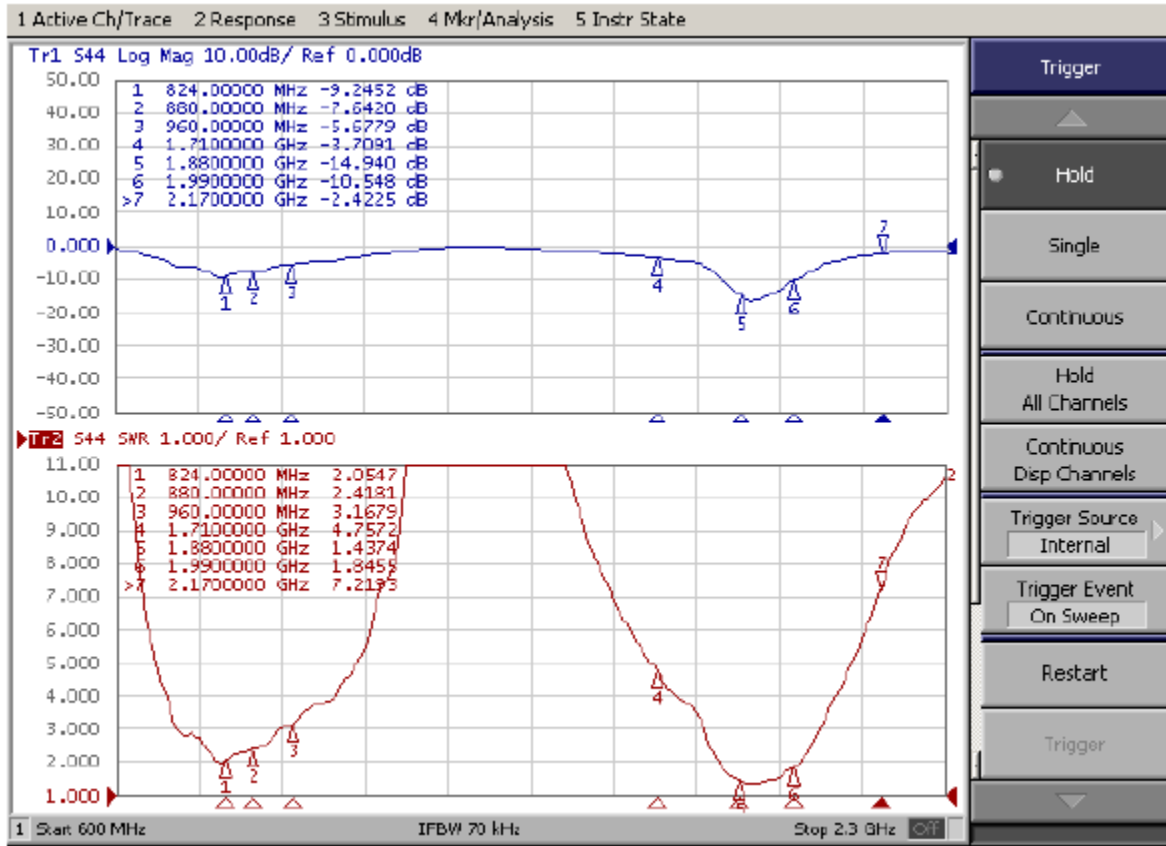
■ RADIATION PATTERN

Frequency	824	839	854	869	884	899	914	929	944	959	960
Peak Gain (dBi)	-1.67	-0.58	-0.18	-0.09	0.02	0.03	0.15	0.23	0.42	0.74	0.76
Efficiency (%)	31.51	38.76	41.93	44.89	49.16	50.9	51.68	53.99	56.14	56.24	56.26
Average Gain (dB)	-5.02	-4.12	-3.78	-3.48	-3.08	-2.93	-2.87	-2.68	-2.51	-2.5	-2.5





FREQUENCY CHARACTERISTICS



ENVIRONMENTAL

PARAMETER	VALUE
RoHS	Compliant
REACH SVHC	Compliant
HALOGEN-FREE	Compliant



APPROVAL

RALTRON	
DRAWN BY:	AR, July 18, 2022
APPROVED BY:	CP, July 18, 2022
REVISION:	A, Initial Release

Raltron Electronics / RAMI Technology USA, LLC, including its affiliates, employees, agents and other persons acting on its behalf (collectively Raltron/RAMI Tech), disclaim any and all liability for any errors or inaccuracies contained in this data sheet. While Raltron/RAMI Tech has made every reasonable effort to ensure the accuracy of all product information, specifications and data contained herein, Raltron/RAMI Tech does not guarantee that the information is accurate, reliable or current. The product information is provided only for reference purposes only and is subject to change, correction or revision, at any time without notice. Raltron/RAMI Tech does not assume any liability arising out of an application or use of any product described herein and disclaims any warranties expressed or implied. The user of products in such applications shall assume all risks of such use and will agree to hold Raltron/RAMI Tech, harmless against all damages.

Copyright © 2016, Raltron Electronics / RAMI Technology USA, LLC. All rights reserved. No part of this document may be reproduced in any form without the prior written permission of Raltron Electronics / RAMI Technology USA, LLC.