

PRODUCT NUMBER
6170XX2C185515LF

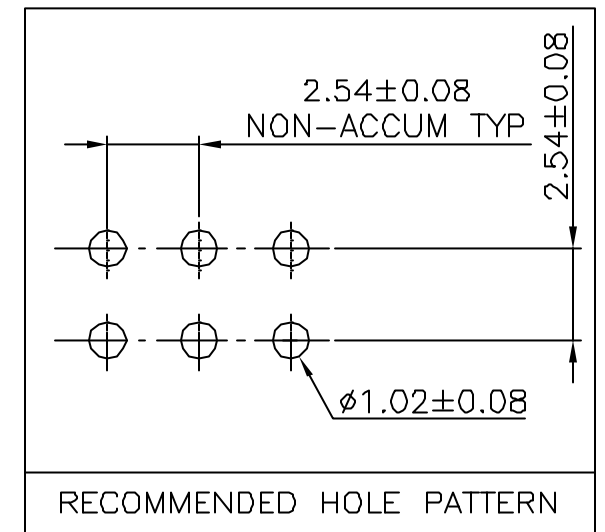
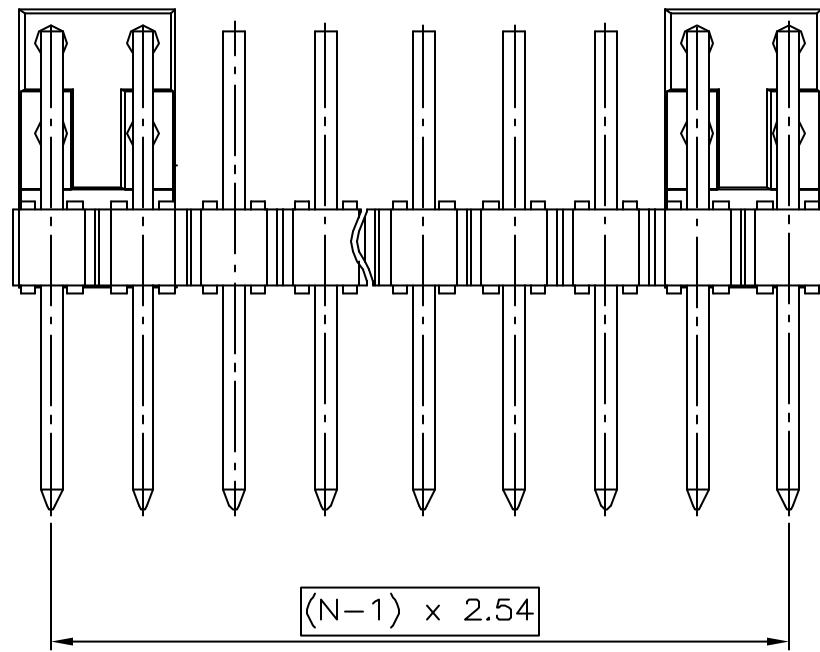
WHEN REQUIRED, ADD SUFFIX LETTER "LF"
INDICATES THE PRODUCT IS ROHS
COMPATIBLE, SEE NOTE 4

PLATING :

8 = 0.76µm GOLD ON CONTACT AREA
3.81µm TIN-LEAD ON TAIL
OVER 1.27µm MIN NICKEL IS

- WHEN "LF" IS REQUIRED, 2µm MATTE
TIN OVER 1.27µm MIN NICKEL IS
PROVIDED INSTEAD OF TIN-LEAD

NUMBER OF POS PER ROW
02 TO 26 POS



NOTES:

1. HOUSING MAT'L : HIGH TEMPERATURE THERMOPLASTIC. UL94V-0 COLOR: BLACK
2. PIN MATERIAL : PHOSPHOR BRONZE
3. PRODUCT PACKAGED IN BLIBOX.
4. 9N MIN RETENTION IN EITHER DIRECTION
5. TO DETERMINE DIMENSIONS :
N = NUMBER OF POSITIONS PER ROW
6. ROHS COMPATIBLE PRODUCT SPECIFICATIONS

a - PLATING:

- "LF" MEANS THE PRODUCT IS LEAD-FREE,
2µm MINIMUM MATTE TIN OVER 1.27µm
MINIMUM NICKEL UNDERPLATE.

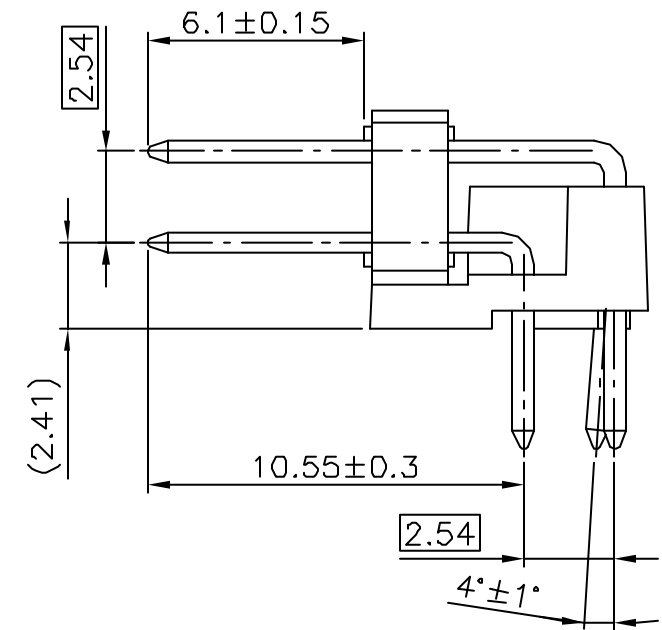
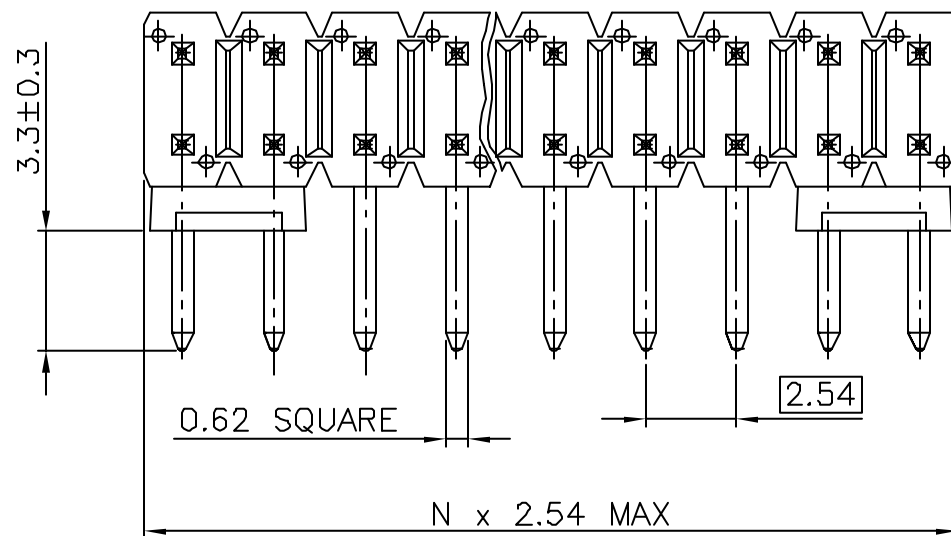
b - MANUFACTURING PROCESS COMPATIBILITY

- THE HOUSING WILL WITHSTAND EXPOSURE TO
260°C ±5°C SOLDER BATH TEMPERATURE FOR
5 SECONDS IN A WAVE SOLDER APPLICATION
WITH A 1.6mm MIN THICK CIRCUIT BOARD.

c - LABELING:

- MEETS PACKAGING SPECS AS PER GS-14-920

d - LEGAL STATEMENT: SEE GS-22-008

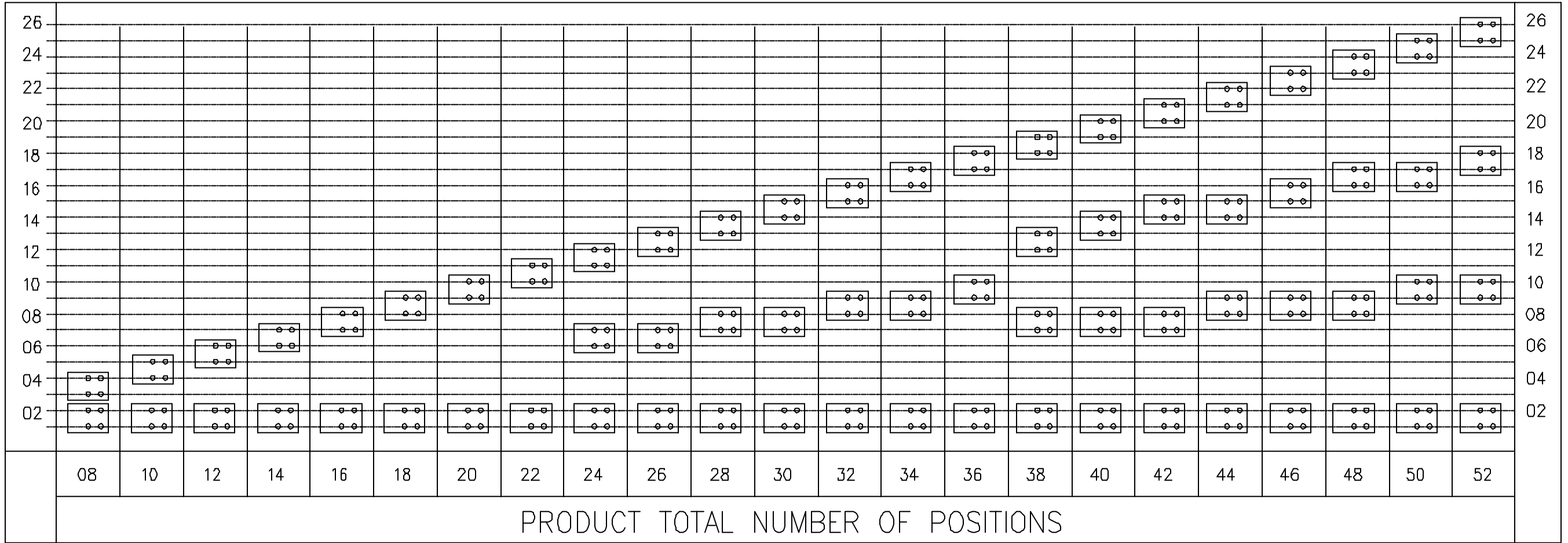


mat'l. code				surface ISO 1302	tolerance ISO 406 ISO 1101	projection	product family BSTIK	
ltr	ecn no	dr	date	tolerances unless otherwise specified		mm	title HEADER DR RA SPECIAL SPACER STYLE	
B	F10522	LMU	01.09.17	angles	Linear			
C	F05-040	LMU	05.11.24			scale 1:5	dwg no 55394	
D	F06-0207	LMU	06.07.27					
				dr	L.MULIN	05.11.24	sheet 1 of 2	
				engr	J.COMPAGNON	05.11.24		
				chr			size A3	
				appd	JMC	05.11.24		
sheet index	revision sheet	D	D					type CUSTOMER Drawing
	1	1	2					



Copyright FCI

SPACER LOCATION PER PRODUCT SIZE



Copyright FCI

mat'l. code				surface <input checked="" type="checkbox"/> ISO 1302 <input type="checkbox"/> ISO 406 <input type="checkbox"/> ISO 1101		tolerance		projection		product family			
ltr				ecn no		dr		date		tolerances unless otherwise specified		title	
B				F10522		LMU		01.09.17		angles		mm	
C				F05-0401		LMU		05.11.24		Linear			
D				F06-0207		LMU		06.07.27		scale 1:5		product family	
										FCI		BSTITK	
												title	
												HEADER DR RA	
												SPECIAL SPACER STYLE	
												dwg no	
												sheet 2 of	
												55394	
												size	
												A3	
												type	
												CUSTOMER Drawing	
sheet index		revision sheet											