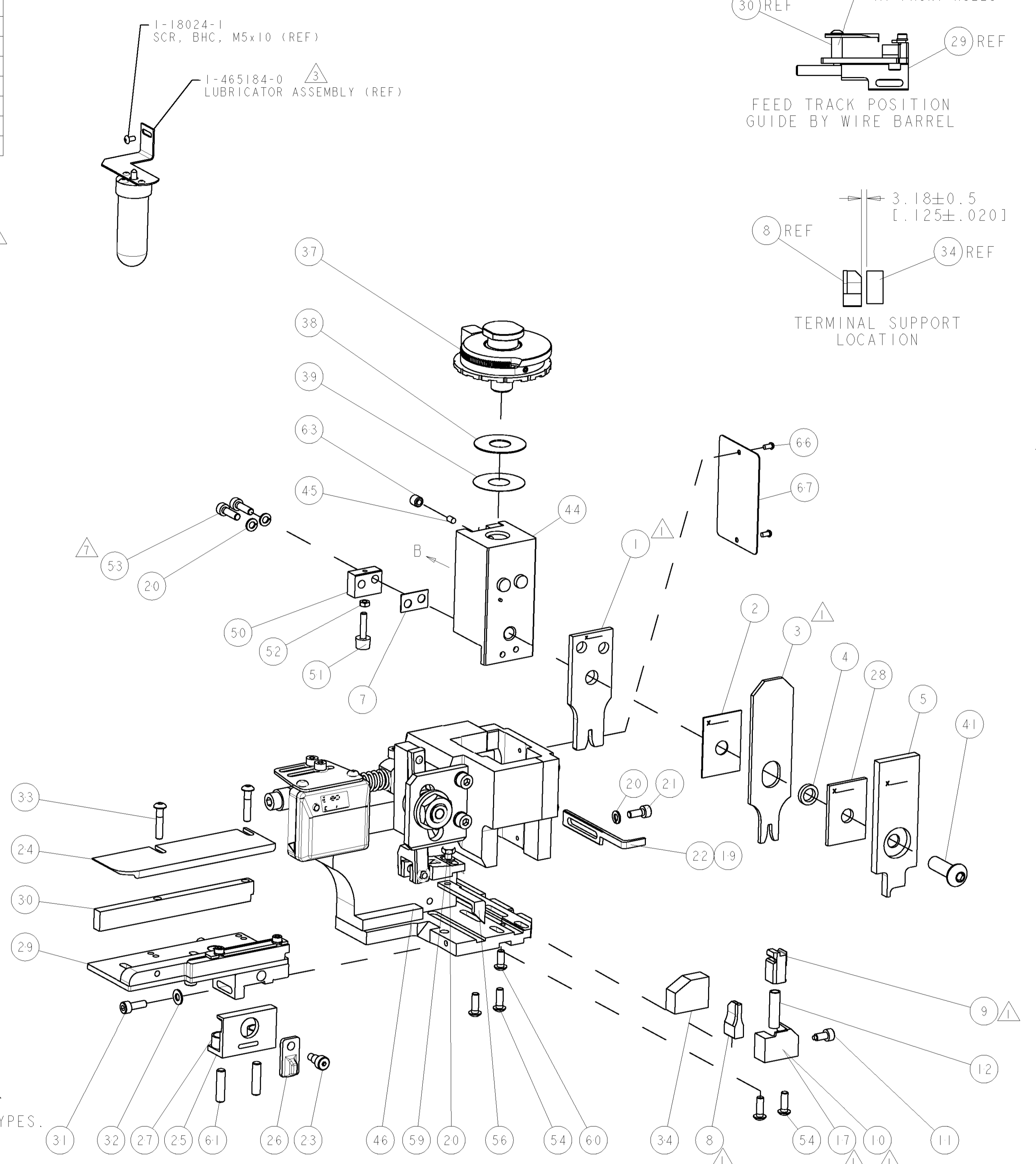


PART NUMBER	REV	TERMINATOR	FEED TYPE	DESCRIPTION
1528779-1	A	LEADMAKER	MECH POST FEED	CUTS CARRIER
1528779-2	A	BENCH	MECH PRE FEED	CUTS CARRIER
1528779-6	A	LEADMAKER	MECH POST FEED	CONTINUOUS CARRIER
7-1528779-1	A	LEADMAKER	MECH POST FEED	-1 AND SPARE PARTS
7-1528779-2	A	BENCH	MECH PRE FEED	-2 AND SPARE PARTS
7-1528779-6	A	LEADMAKER	MECH POST FEED	-6 AND SPARE PARTS
7-1528779-7	A	-	-	SPARE PARTS KIT

CRIMP DATA			
WIRE	SIZE	TYPE	RANGE
WIRE	2.18 [1.086 IN]	F	0.50-1.25mm ²
INSUL	2.79 [1.110 IN]	F	1.60-2.60 [1.063-1.102 IN]
WIRE STRIP LENGTH		APPL INSTRUCTIONS	
5.00-5.50 [1.97-.217 IN]		408-8322 & 408-8490	
TERMINAL SEWS DATA SHT		FEED	
APPL SPEC 8240-4892		12.57 [1.495 IN]	
TERMINALS APPLIED			
TYCO TERM PN	MANUF TERM PN		
286559-1	8240-4892		
WIRE SIZE	CRIMP HEIGHT	REF SETTING	
1.25mm ²	1.30 ± 0.05 [1.051 ± 0.002 IN]	B2	
1.00mm ²	1.20 ± 0.05 [1.047 ± 0.002 IN]	B9	
0.85mm ²	1.15 ± 0.05 [1.045 ± 0.002 IN]	C5	
0.75mm ²	1.15 ± 0.05 [1.045 ± 0.002 IN]	C6	
0.50mm ²	1.05 ± 0.05 [1.041 ± 0.002 IN]	D2	

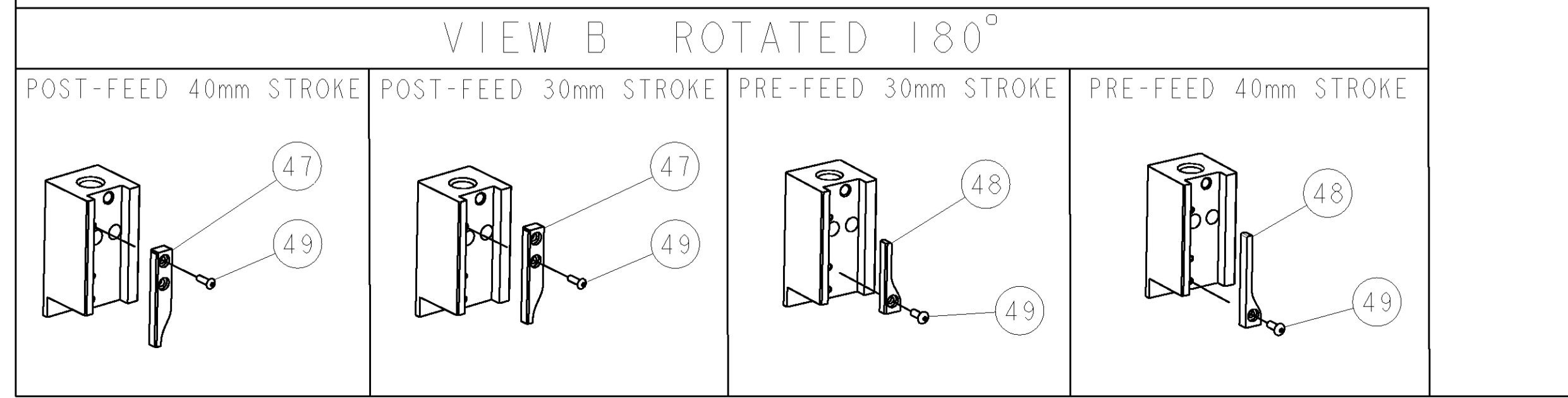
- △ RECOMMENDED SPARE PARTS.
- 2. GREASE RAM, CAM, CAM FOLLOWER AND FEED ROD LIGHTLY.
- △ CERTAIN TERMINALS REQUIRE LUBRICATION. REFER TO THE APPLICATOR INSTRUCTION SHEET FOR MORE INFORMATION.
- 4. LUBRICATE DAILY PER THE APPLICATOR INSTRUCTION SHEET SUPPLIED WITH THE APPLICATOR.
- △ ALL CRIMP DATA SUPPLIED BY THE TERMINAL MANUFACTURER.
- △ APPLICATOR DESIGNED TO APPLY AVS & AVSS INSULATION TYPES.
- △ CUT TO LENGTH AT ASSEMBLY.
- △ CRIMP DATA SUPPLIED BY ORIGINAL CUSTOMER.
- △ CRIMP HEIGHT CALCULATED BY TYCO ELECTRONICS UK LTD. BASED ON TERMINAL MANUFACTURERS CRIMP WIDTH.



REVISIONS		DATE	BY	APPD
1	SEE ECO-07-008797	18APR2007	DP	MC

QTY	UNIT	DESCRIPTION	ITEM NO
73			
72			
71	1338705-3	DOCUMENTATION PACKAGE	
70			
69			
68			
67	461264-5	PLATE, IDENTIFICATION	
66	21017-2	SCREW, DRIVE	
65			
64			
63	3-18031-0	SCR, SET, CUP POINT M6 X 6.0	
62			
61	2-18032-5	SCR, SET, FLT POINT M5 X 20.0	
60	18024-7	SCR, BTN SKT HD CAP (M4 X 10.0)	
59	5-18022-2	SCR, HEX HD CAP M4 X 8.0	
58			
57			
56	1338685-1	PAWL, FEED	
55			
54	18024-8	SCR, BTN SKT HD CAP (M4 X 12.0)	
53	9-18023-6	SCR, SKT HD CAP M4 X 14.0	
52	18030-1	NUT, HEX, REG M3	
51	811242-5	BUMPER, HOLD DOWN	
50	690753-2	SPACER, TONKER	
49	18024-3	SCR, BTN SKT HD CAP (M3 X 10.0)	
48	1338675-1	CAM, UNIVERSAL PRE FEED	
47	1338676-1	CAM, UNIVERSAL POST-FEED	
46	1320999-3	APPLICATOR SUBASSEMBLY, HDI	
45	690191-1	PLUG, NYLON	
44	1338660-1	RAM	
43			
42			
41	2-18024-6	SCR, BTN SKT HD CAP (M8 X 25.0)	
40			
39	690125-1	SHIM SUB-ASSY	
38	1-469367-2	SHIM	
37	879103-2	FINE ADJUST HEAD ASSEMBLY	
36			
35			
34	1320934-1	SUPPORT, TERMINAL	
33	1-18024-0	SCR, BTN SKT HD CAP (M4 X 20.0)	
32	18027-2	WASHER, FLAT, REG M4	
31	1-18023-2	SCR, SKT HD CAP M4 X 12.0	
30	1-1320908-5	SPACER, STRIP GUIDE	
29	1633073-1	STRIP GUIDE ASSEMBLY	
28	2-455888-2	SPACER, CRIMPER	
27	1-22284-0	SPRING, COMPRESSION	
26	356835-1	LEVER, DRAG RELEASE	
25	240792-1	DRAG, TERMINAL	
24	1320928-1	PLATE, STRIP GUIDE	
23	980371-4	SCR, SKT HD SHLDR 5.0 DIA X 6.0	
22	690472-2	STRIPPER	
21	1-18023-1	SCR, SKT HD CAP M4 X 10.0	
20	18025-2	WASHER, SPRG LOCK, REG M4	
19	690472-1	STRIPPER	
18			
17	1338684-1	SHEAR HOLDER, FRONT	
16			
15			
14			
13			
12	3-22280-3	SPRING, COMPRESSION	
11	356885-4	STOP, SHEAR	
10	1320921-1	SHEAR HOLDER, FRONT, CUT	
9	454276-1	FLOATING SHEAR, FRONT	
8	3-1633139-5	ANVIL, COMBINATION	
7	2-240641-1	SPACER	
6			
5	1-455889-4	DEPRESSOR, SHEAR	
4	238011-4	BLOCK, CRIMPER SPACER	
3	6-456134-5	CRIMPER, INSULATION F PREMIUM	
2	455888-6	SPACER, CRIMPER	
1	5-1490019-6	CRIMPER, WIRE PREMIUM	

QTY	UNIT	DESCRIPTION	ITEM NO
84			
83			
82			
81			
80			
79			
78			
77			
76			
75			
74			



QTY	UNIT	DESCRIPTION	ITEM NO
84			
83			
82			
81			
80			
79			
78			
77			
76			
75			
74			