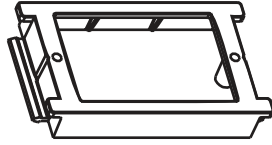
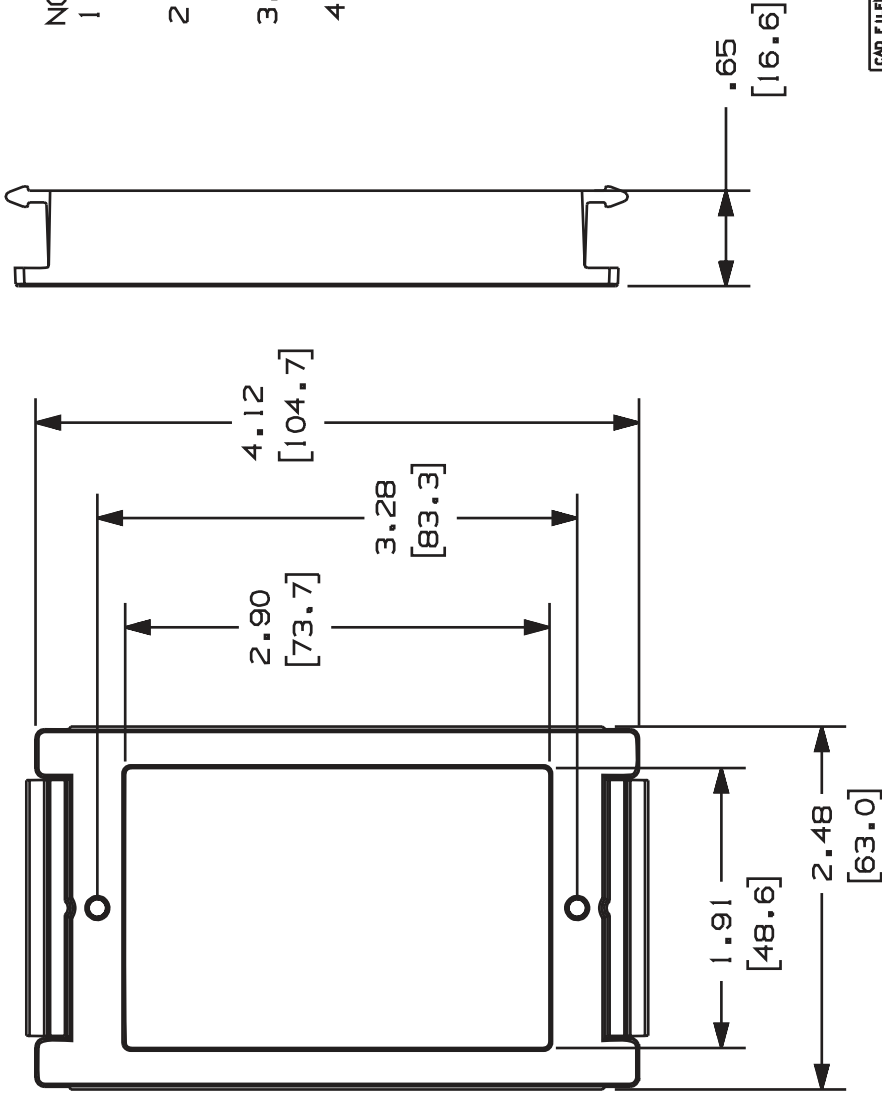


THIS COPY IS PROVIDED ON A RESTRICTED BASIS AND IS NOT TO BE USED IN ANY WAY DETRIMENTAL TO THE INTERESTS OF PANDUIT CORP.

PANDUIT P/N	WEIGHT
T130DBV	.6 LB/10 PCS (242 9/10 PCS)



NOTES:

1. SEE CURRENT CATALOG FOR ADDITIONAL PART SUFFIXES TO INDICATE COLOR AND OR PACKAGE QUANTITY.
2. THE T130DBV IS USED FOR MOUNTING NEMA STANDARD ELECTRICAL RECEPTACLES INCLUDING GFCI.
3. THE T130DBV IS MOUNTED ONLY TO SLOTS ON THE T130 RACEWAY WALL.
4. DIMENSIONS IN PARENTHESES ARE IN METRIC.

CAD FILE NAME/LAYERS

D36728BG\_DC\_T130DBV\_01

PANDUIT

CORP. TINLEY PARK, ILLINOIS

PAN-WAY T130 VERTICAL DEVICE BRACKET(T130DBV) CUSTOMER DRAWING

UNLESS OTHERWISE SPECIFIED, DIMENSIONAL TOLERANCES ARE:  
(.X) ±.031(.8) ANGLES ±

UNLESS OTHERWISE SPECIFIED, ALL DIMENSIONS ARE GIVEN IN INCHES, THIRD ANGLE PROJECTION.

DRAWN BY DW

MAT'L: PVC

SCALE: NONE

DATE 3-25-98

DWG NO. 36728-06

SIZE A

CHECKED BY HIW

ECN 36728-06

DESCRIPTION

REV 1

DATE 7/8/99

BY DW

CHK

DESCRIPTION

ECN 36728-06

CHK HIW

CUST HIW

SUP HIW

DATE 3-25-98

BY DW

CHK

DESCRIPTION

ECN 36728-06

SIZE A