

# SPECIFICATIONS

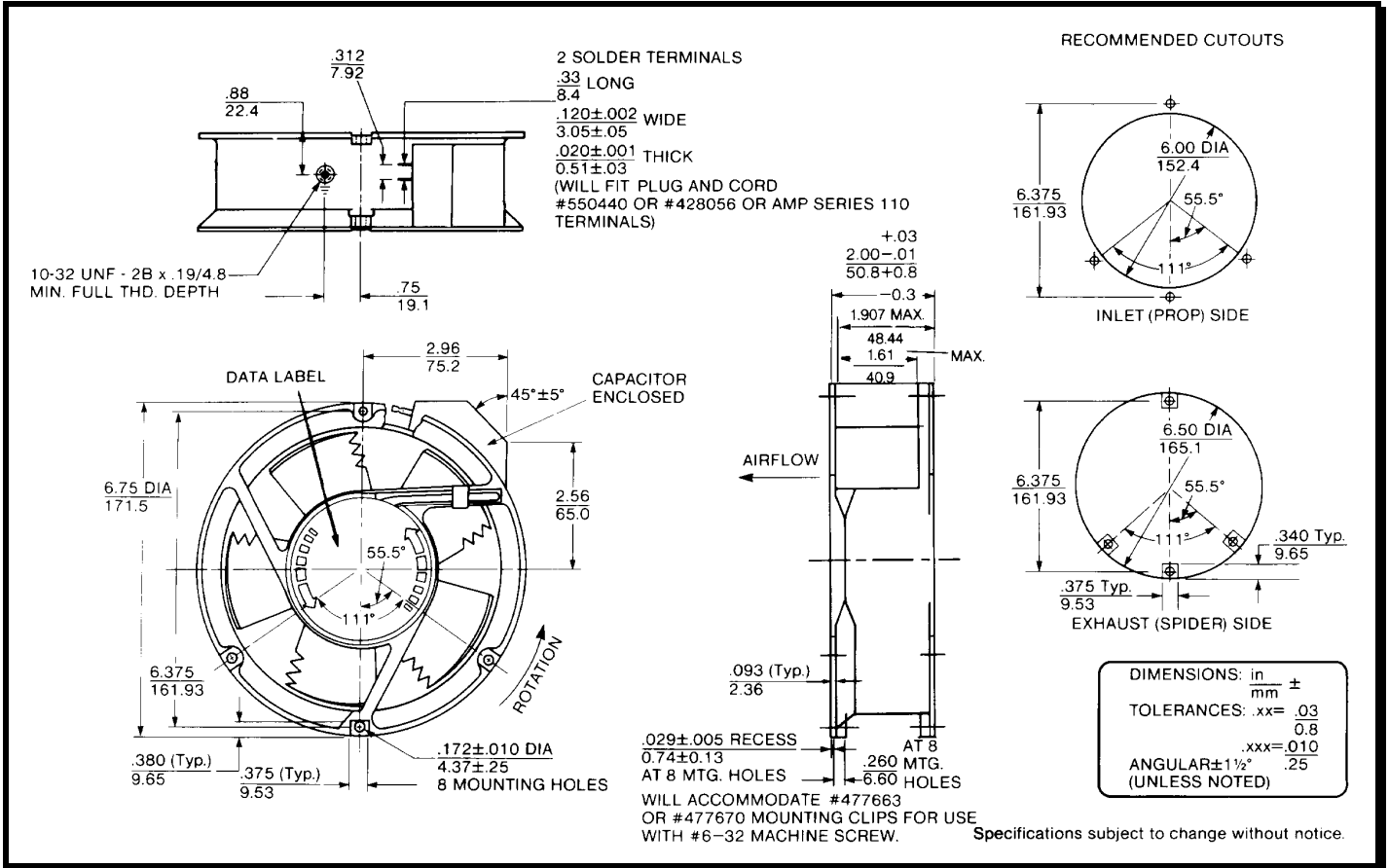
(RoHS Compliant)



**Model Number:** PT77B3  
**Part Number:** 19028312A

**Version:** 01  
**Jan 23, 2016**

## Mechanical Drawing:



### Motor:

|                           |                      |
|---------------------------|----------------------|
| Nominal Voltage           | = 220 / 230 VAC      |
| Frequency                 | = 50 / 60 Hz         |
| Nominal Running Current   | = 0.130 / 0.140 amps |
| Max. Locked Rotor Current | = 0.25 amps          |
| Running Power             | = 26 / 30 watts      |
| Average Speed             | = 2880 / 3350 RPM    |
| Bearings                  | = Ball               |
| Air Flow                  | = 200 / 235 CFM      |
| Acoustic                  | = 50.3 / 54.0 dBA    |

### Construction:

Venturi: Single Piece Die-Cast Aluminum, Black  
 Propeller: Plastic, Black, UL 94V-0

### Life Expectancy:

This fan is designed for continuous duty life of 62,000 hours at 40°C.

### Additional Features:

Permanent Split Capacitor Motor  
 Half Speed Impedance Protection  
 Full Speed Automatic Reset Thermal Protector  
 Operating Temperature: -10°C to 70°C  
 Storage Temperature: -40°C to 85°C

### Termination:

2x0.120" Terminals

### Agency Approvals:

UL, CUL, CE

**PQ Curve:**

