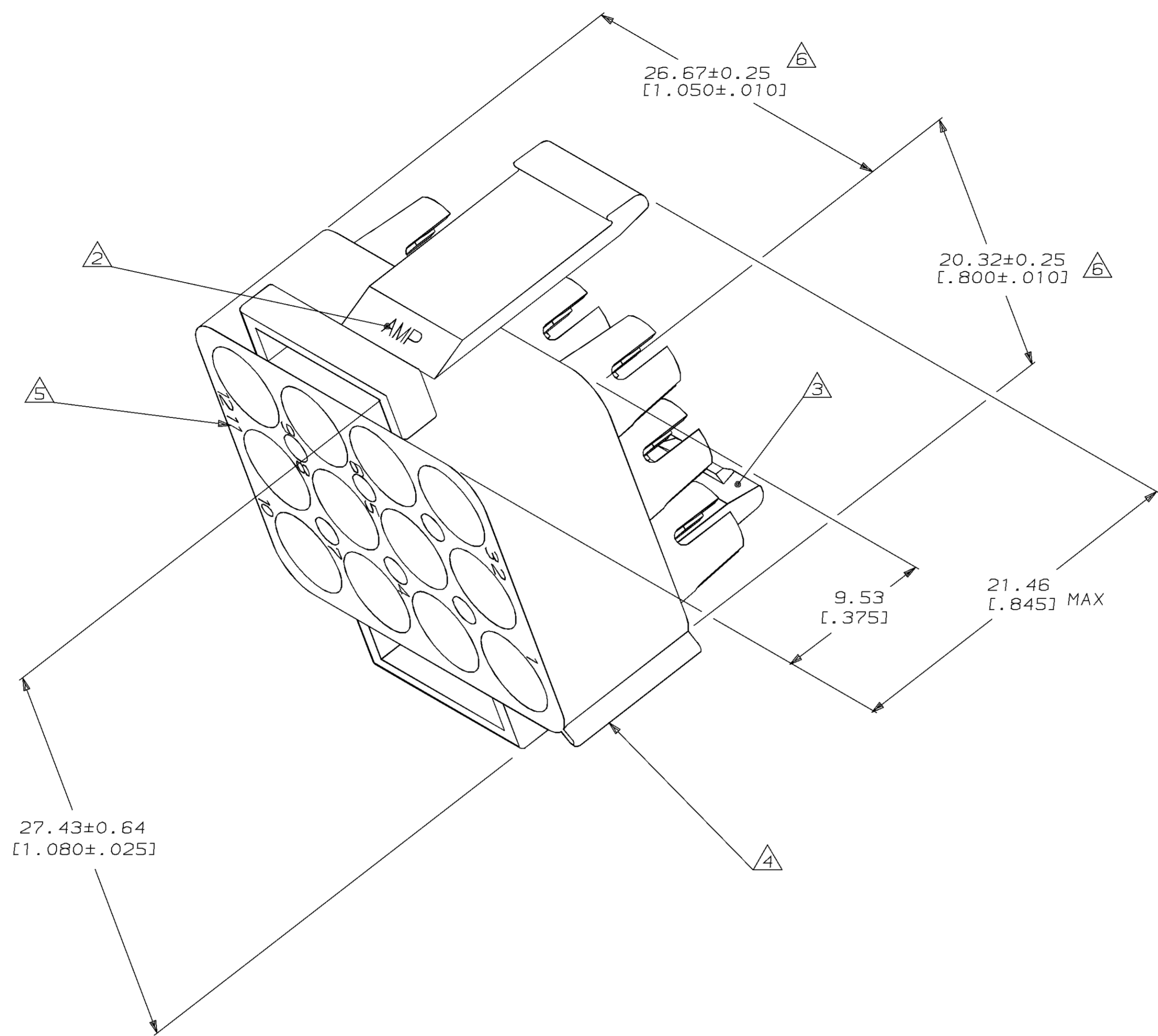


LOC		DIST		P		F		ZONE		LTR		REVISIONS		DATE	APPD	
CM	53												DESCRIPTION	4-20-95	RV	
													E	REV PER EC 0730-0040-95		RS



1. MUST BE ASSEMBLED WITH PLUG FRONT P/N 770041-1 BEFORE MATING. KIT P/N IS 770022-1.
2. AMP LOGO LOCATED THIS SURFACE.
3. UL AND CSA LOGOS LOCATED ON FAR SIDE.
4. CIRCUIT NO. 1 IDENTIFICATION RIB LOCATED APPROXIMATELY AS SHOWN.
5. LOCATION OF CIRCUIT NUMBERS MOVE BUT WILL REMAIN ADJACENT TO APPROPRIATE CAVITY.
6. DIMENSION INDICATED IS AS MOLDED. ADDITIONAL GROWTH DUE TO SUBSEQUENT MOISTURE ABSORPTION MAY OCCUR.
7. DIMENSIONS IN BRACKETS ARE IN INCHES.

770042-1
PART NUMBER



DO NOT SCALE PRINT. UNLESS SPECIFIED DIMENSIONS IN mm TOLERANCES ON + 2 PLC DEC ± 0.13 [.005] ANGLES ±		DR 1-15-92 K. SALMON	AMP INCORPORATED Harrisburg, Pa. 17105	
MATERIAL NYLON, UL94V-0,		CHK 1-15-92 R. SWING	NAME PLUG REAR, 12 CIRCUIT, UNIVERSAL MATE-N-LOK™ II	
FINISH		APPD 1-16-92 M. TRULL	SIZE D	FSCM NO 00779
WEIGHT		APPD 1-16-92 M. TRULL	SCALE 5:1	DRAWING NO 770042
		PRODUCT SPEC	SHEET 1 OF 1	

CUSTOMER DRAWING