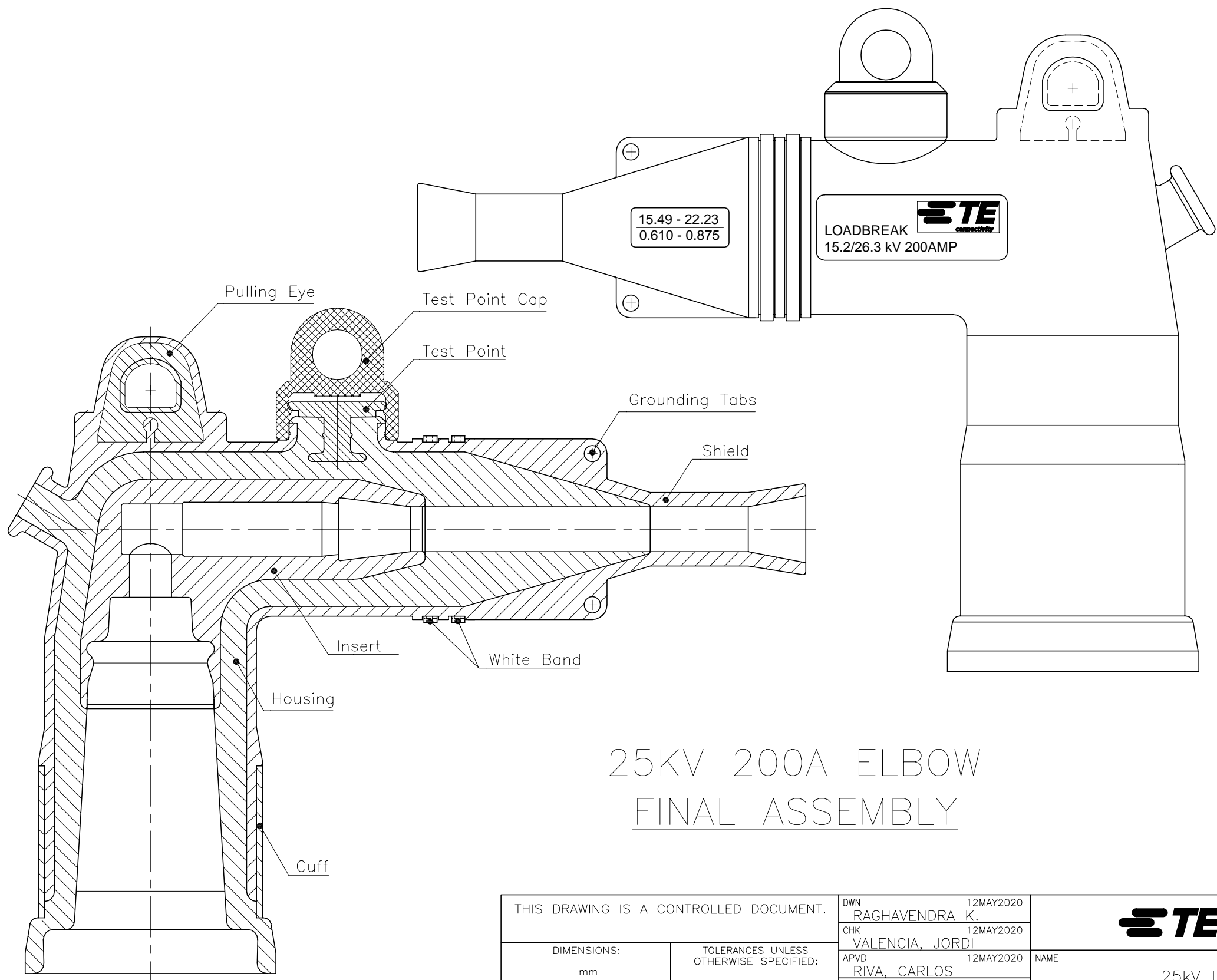


REVISIONS					
P	LTR	DESCRIPTION	DATE	DWN	APVD
1		INITIAL RELEASE	12MAY2020	KR	JV

USE RANGE	SIZE
0.720-0.880 [18.3-22.4]mm	B
0.850-1.01 [21.6-25.7]mm	BB
0.920-1.080 [23.4-27.4]mm	C
1.040-1.200 [25.4-30.5]mm	D



25KV 200A ELBOW  
FINAL ASSEMBLY

THIS DRAWING IS A CONTROLLED DOCUMENT.		DWN 12MAY2020 RAGHAVENDRA K.	TE Connectivity				
DIMENSIONS: mm		CHK 12MAY2020 VALENCIA, JORDI					
TOLERANCES UNLESS OTHERWISE SPECIFIED: 0 PLC ± - 1 PLC ± - 2 PLC ± - 3 PLC ± - 4 PLC ± - ANGLES ± -		APVD 12MAY2020 RIVA, CARLOS	NAME 25kv LOADBREAK ELBOW ELB-25-200				
MATERIAL		FINISH	PRODUCT SPEC	SIZE	CAGE CODE	DRAWING NO	RESTRICTED TO
-		-	-	A3	00779	ELB-25-200	-
CUSTOMER DRAWING			WEIGHT	SCALE	SHEET	REV	
-			-	NTS	1 of 2	1	

# ELB-25-210 Load Break

P	LTR	DESCRIPTION	DATE	DWN	APVD
-	-	SEE SHEET 1	-	-	-

## Ordering Formula


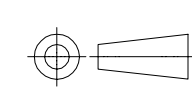
ELB-25-	1	2	3	4
---------	---	---	---	---

1	CURRENT RATING	TEST POINT CODE
200	= 200 AMP WITHOUT test point	
210	= 210 AMP WITH test point	

4	Jacket Sealing
Code	Type
Blank	No Jacket Seal
ES	Integral Jacket Seal

2	Cable Insulator O.D. Range	
Code	Inches	mm
B	.72 - .88	18.3 - 22.4
BB	.85 - 1.01	21.6 - 25.7
C	.92 - 1.08	23.4 - 27.4
D	1.04 - 1.20	25.4 - 30.5

3	Compression Lugs   Conductor Size (Aluminum or Copper)		
Code	Str/ Comp	Compact	Solid
2	2	1	1
10	1/0	2/0	2/0
20	2/0	3/0	3/0
30	3/0	4/0	4/0
40	4/0	250	250

THIS DRAWING IS A CONTROLLED DOCUMENT.		DWN RAGHAVENDRA K. 12MAY2020	 TE Connectivity	
DIMENSIONS: mm		CHK VALENCIA, JORDI 12MAY2020		
		APVD RIVA, CARLOS 12MAY2020	NAME 25kV LOADBREAK ELBOW ELB-25-200	
TOLERANCES UNLESS OTHERWISE SPECIFIED: 0 PLC ± - 1 PLC ± - 2 PLC ± - 3 PLC ± - 4 PLC ± - ANGLES ± -		PRODUCT SPEC -	RESTRICTED TO -	
MATERIAL -		FINISH -	APPLICATION SPEC -	WEIGHT -
CUSTOMER DRAWING			SIZE A3	CAGE CODE 00779
SCALE NTS			DRAWING NO ELB-25-200	REV 1
SHEET 2 of 2				