

**+/-15kV ESD Protected, +3V to +5.5V,  
1Microamp, 250kbps, RS-232  
Transceivers with Enhanced Automatic  
Powerdown**

The Intersil ICL32XXE devices are 3.0V to 5.5V powered RS-232 transmitters/receivers which meet EIA/TIA-232 and V.28/V.24 specifications, even at  $V_{CC} = 3.0V$ . Additionally, they provide  $\pm 15kV$  ESD protection (IEC61000-4-2 Air Gap and Human Body Model) on transmitter outputs and receiver inputs (RS-232 pins). Targeted applications are PDAs, Palmtops, and notebook and laptop computers where the low operational, and even lower standby, power consumption is critical. Efficient on-chip charge pumps, coupled with manual and enhanced automatic powerdown functions, reduce the standby supply current to a  $1\mu A$  trickle. Small footprint packaging, and the use of small, low value capacitors ensure board space savings as well. Data rates greater than 250kbps are guaranteed at worst case load conditions. This family is fully compatible with 3.3V only systems, mixed 3.3V and 5.0V systems, and 5.0V only systems.

The ICL3244E is a 3 driver, 5 receiver device that provides a complete serial port suitable for laptop or notebook computers. It also includes a noninverting always-active receiver for “wake-up” capability.

These devices, feature an **enhanced automatic powerdown** function which powers down the on-chip power-supply and driver circuits. This occurs when all receiver and transmitter inputs detect no signal transitions for a period of 30 seconds. These devices power back up, automatically, whenever they sense a transition on any transmitter or receiver input.

Table 1 summarizes the features of the devices represented by this data sheet, while Application Note AN9863 summarizes the features of each device comprising the ICL32XXE 3V family.

**Features**

- ESD Protection for RS-232 I/O Pins to  $\pm 15kV$  (IEC61000)
- Manual and Enhanced Automatic Powerdown Features
- Drop in Replacements for MAX3224E, MAX3226E, MAX3244E
- Meets EIA/TIA-232 and V.28/V.24 Specifications at 3V
- RS-232 Compatible with  $V_{CC} = 2.7V$
- Latch-Up Free
- On-Chip Voltage Converters Require Only Four External  $0.1\mu F$  Capacitors
- Guaranteed Mouse Driveability (ICL3244E)
- “Ready to Transmit” Indicator Output (ICL3224E/26E)
- Receiver Hysteresis For Improved Noise Immunity
- Guaranteed Minimum Data Rate . . . . . 250kbps
- Guaranteed Minimum Slew Rate . . . . .  $6V/\mu s$
- Wide Power Supply Range . . . . . Single +3V to +5.5V
- Low Supply Current in Powerdown State. . . . .  $1\mu A$

**Applications**

- Any System Requiring RS-232 Communication Ports
  - Battery Powered, Hand-Held, and Portable Equipment
  - Laptop Computers, Notebooks, Palmtops
  - Modems, Printers and other Peripherals
  - Digital Cameras
  - Cellular/Mobile Phones

**Related Literature**

- Technical Brief TB363 “Guidelines for Handling and Processing Moisture Sensitive Surface Mount Devices (SMDs)”

TABLE 1. SUMMARY OF FEATURES

| PART NUMBER | NO. OF Tx. | NO. OF Rx. | NO. OF MONITOR Rx. (ROUTB) | DATA RATE (kbps) | Rx. ENABLE FUNCTION? | READY OUTPUT? | MANUAL POWER-DOWN? | ENHANCED AUTOMATIC POWERDOWN FUNCTION? |
|-------------|------------|------------|----------------------------|------------------|----------------------|---------------|--------------------|--|
| ICL3224E    | 2          | 2          | 0                          | 250              | No                   | Yes           | Yes                | Yes                                    |
| ICL3226E    | 1          | 1          | 0                          | 250              | No                   | Yes           | Yes                | Yes                                    |
| ICL3244E    | 3          | 5          | 1                          | 250              | No                   | No            | Yes                | Yes                                    |

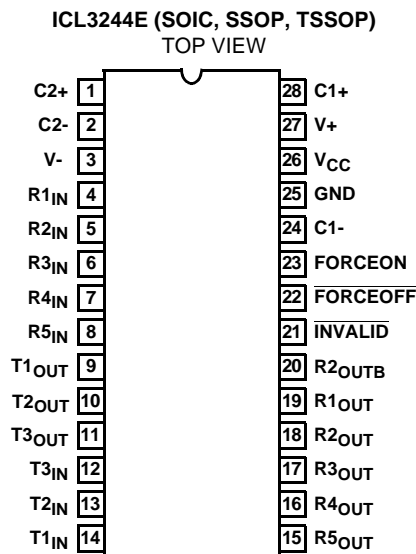
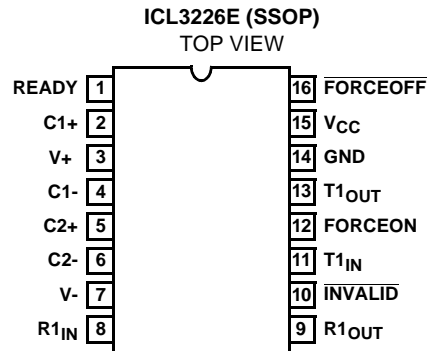
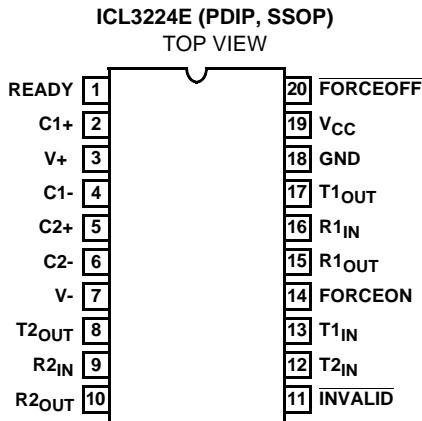
**Ordering Information**

| (NOTE 1)<br>PART NO. | TEMP.<br>RANGE (°C) | PACKAGE     | PKG. DWG. # |
|----------------------|---------------------|-------------|-------------|
| ICL3224ECA           | 0 to 70             | 20 Ld SSOP  | M20.209     |
| ICL3224EIA           | -40 to 85           | 20 Ld SSOP  | M20.209     |
| ICL3224ECP           | 0 to 70             | 20 Ld PDIP  | E20.3       |
| ICL3226ECA           | 0 to 70             | 16 Ld SSOP  | M16.209     |
| ICL3226EIA           | -40 to 85           | 16 Ld SSOP  | M16.209     |
| ICL3244ECA           | 0 to 70             | 28 Ld SSOP  | M28.209     |
| ICL3244EIA           | -40 to 85           | 28 Ld SSOP  | M28.209     |
| ICL3244ECB           | 0 to 70             | 28 Ld SOIC  | M28.3       |
| ICL3244EIB           | -40 to 85           | 28 Ld SOIC  | M28.3       |
| ICL3244ECV           | 0 to 70             | 28 Ld TSSOP | M28.173     |
| ICL3244EIV           | -40 to 85           | 28 Ld TSSOP | M28.173     |

NOTES:

1. Most surface mount devices are available on tape and reel; add "-T" to suffix.

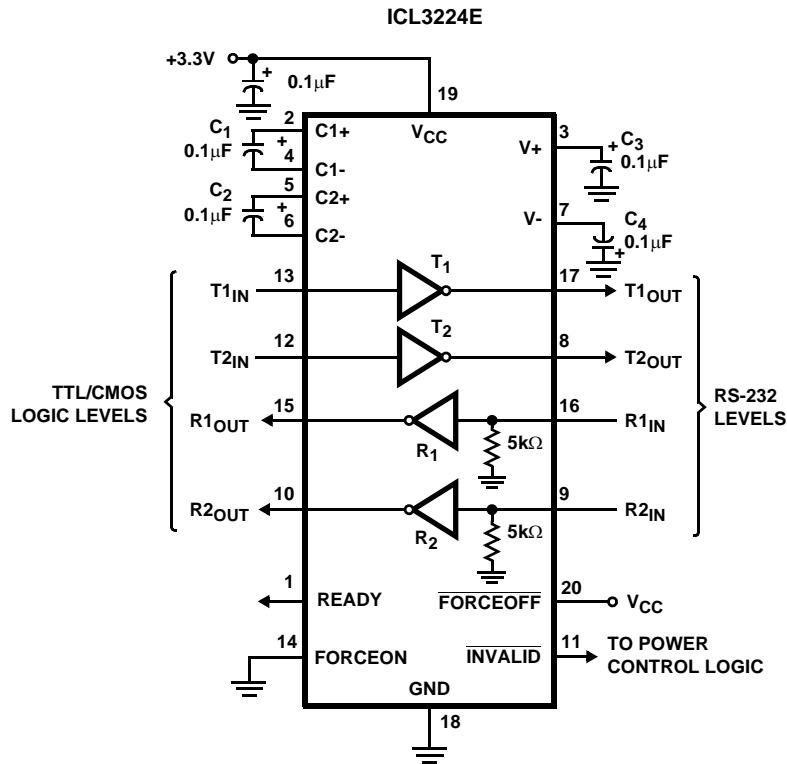
**Pinouts**



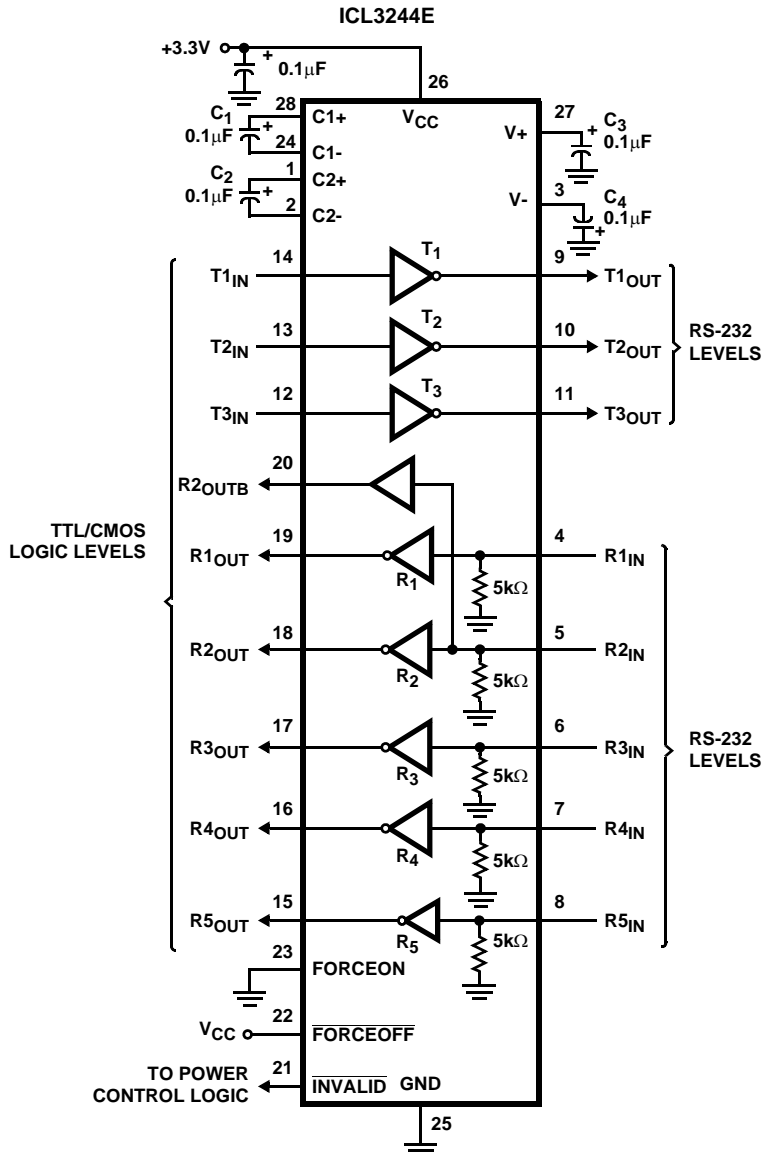
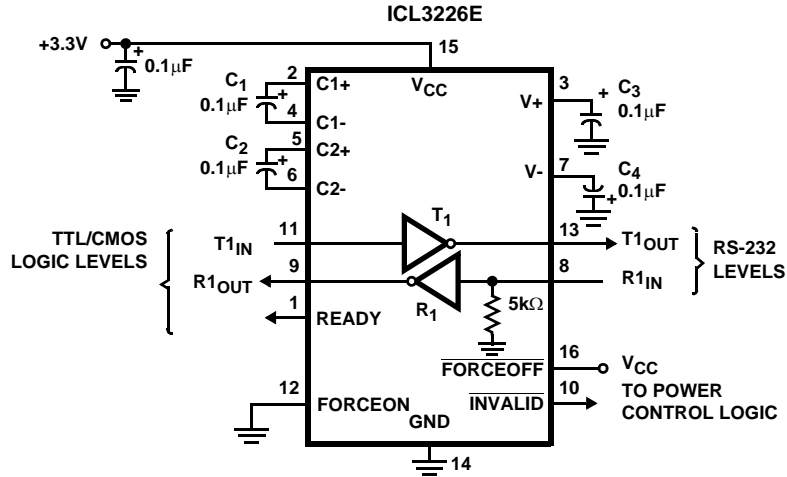
**Pin Descriptions**

| PIN                          | FUNCTION   |
|------------------------------|--|
| V <sub>CC</sub>              | System power supply input (3.0V to 5.5V).  |
| V+                           | Internally generated positive transmitter supply (+5.5V).  |
| V-                           | Internally generated negative transmitter supply (-5.5V).  |
| GND                          | Ground connection.   |
| C1+                          | External capacitor (voltage doubler) is connected to this lead.  |
| C1-                          | External capacitor (voltage doubler) is connected to this lead.  |
| C2+                          | External capacitor (voltage inverter) is connected to this lead.   |
| C2-                          | External capacitor (voltage inverter) is connected to this lead.   |
| T <sub>IN</sub>              | TTL/CMOS compatible transmitter Inputs.  |
| T <sub>OUT</sub>             | ±15kV ESD Protected, RS-232 level (nominally ±5.5V) transmitter outputs.   |
| R <sub>IN</sub>              | ±15kV ESD Protected, RS-232 compatible receiver inputs.  |
| R <sub>OUT</sub>             | TTL/CMOS level receiver outputs.   |
| R <sub>OUTB</sub>            | TTL/CMOS level, noninverting, always enabled receiver outputs.   |
| $\overline{\text{INVALID}}$  | Active low output that indicates if no valid RS-232 levels are present on any receiver input.  |
| READY                        | Active high output that indicates when the ICL32XXE is ready to transmit (i.e., V- ≤ -4V)  |
| $\overline{\text{FORCEOFF}}$ | Active low to shut down transmitters and on-chip power supply. This overrides any automatic circuitry and FORCEON (see Table 2).               |
| FORCEON                      | Active high input to override automatic powerdown circuitry thereby keeping transmitters active. ( $\overline{\text{FORCEOFF}}$ must be high). |

**Typical Operating Circuits**



Typical Operating Circuits (Continued)



### Absolute Maximum Ratings

|                                     |                                |
|-------------------------------------|--------------------------------|
| V <sub>CC</sub> to Ground           | -0.3V to 6V                    |
| V+ to Ground                        | -0.3V to 7V                    |
| V- to Ground                        | +0.3V to -7V                   |
| V+ to V-                            | 14V                            |
| Input Voltages                      |                                |
| T <sub>IN</sub> , FORCEOFF, FORCEON | -0.3V to 6V                    |
| R <sub>IN</sub>                     | ±25V                           |
| Output Voltages                     |                                |
| T <sub>OUT</sub>                    | ±13.2V                         |
| R <sub>OUT</sub> , INVALID, READY   | -0.3V to V <sub>CC</sub> +0.3V |
| Short Circuit Duration              |                                |
| T <sub>OUT</sub>                    | Continuous                     |
| ESD Rating                          | See Specification Table        |

### Thermal Information

|  |                        |
|--|------------------------|
| Thermal Resistance (Typical, Note 2)             | θ <sub>JA</sub> (°C/W) |
| 20 Ld PDIP Package                               | 80                     |
| 28 Ld SOIC Package                               | 75                     |
| 16 Ld SSOP Package                               | 140                    |
| 20 Ld SSOP Package                               | 125                    |
| 28 Ld SSOP and TSSOP Packages                    | 100                    |
| Moisture Sensitivity (see Technical Brief TB363) |                        |
| All Packages                                     | Level 1                |
| Maximum Junction Temperature (Plastic Package)   | 150°C                  |
| Maximum Storage Temperature Range                | -65°C to 150°C         |
| Maximum Lead Temperature (Soldering 10s)         | 300°C                  |
| (SOIC, SSOP, TSSOP - Lead Tips Only)             |                        |

### Operating Conditions

|                   |               |
|-------------------|---------------|
| Temperature Range |               |
| ICL32XXEC         | 0°C to 70°C   |
| ICL32XXEI         | -40°C to 85°C |

CAUTION: Stresses above those listed in "Absolute Maximum Ratings" may cause permanent damage to the device. This is a stress only rating and operation of the device at these or any other conditions above those indicated in the operational sections of this specification is not implied.

NOTE:

- θ<sub>JA</sub> is measured with the component mounted on a low effective thermal conductivity test board in free air. See Tech Brief TB379 for details.

### Electrical Specifications

Test Conditions: V<sub>CC</sub> = 3V to 5.5V, C<sub>1</sub> - C<sub>4</sub> = 0.1µF; Unless Otherwise Specified.  
Typicals are at T<sub>A</sub> = 25°C

| PARAMETER  | TEST CONDITIONS   | TEMP (°C)              | MIN                  | TYP                  | MAX  | UNITS |
|--|---|------------------------|----------------------|----------------------|------|-------|
| <b>DC CHARACTERISTICS</b>                                |   |                        |                      |                      |      |       |
| Supply Current, Automatic Powerdown                      | All R <sub>IN</sub> Open, FORCEON = GND, FORCEOFF = V <sub>CC</sub> | 25                     | -                    | 1.0                  | 10   | µA    |
| Supply Current, Powerdown                                | FORCEOFF = GND  | 25                     | -                    | 1.0                  | 10   | µA    |
| Supply Current, Automatic Powerdown Disabled             | All Outputs Unloaded, FORCEON = FORCEOFF = V <sub>CC</sub>          | 25                     | -                    | 0.3                  | 1.0  | mA    |
| <b>LOGIC AND TRANSMITTER INPUTS AND RECEIVER OUTPUTS</b> |   |                        |                      |                      |      |       |
| Input Logic Threshold Low                                | T <sub>IN</sub> , FORCEON, FORCEOFF                                 | Full                   | -                    | -                    | 0.8  | V     |
| Input Logic Threshold High                               | T <sub>IN</sub> , FORCEON, FORCEOFF                                 | V <sub>CC</sub> = 3.3V | Full                 | 2.0                  | -    | V     |
|  |   | V <sub>CC</sub> = 5.0V | Full                 | 2.4                  | -    | V     |
| Transmitter Input Hysteresis                             |   | 25                     | -                    | 0.5                  | -    | V     |
| Input Leakage Current                                    | T <sub>IN</sub> , FORCEON, FORCEOFF                                 | Full                   | -                    | ±0.01                | ±1.0 | µA    |
| Output Leakage Current                                   | FORCEOFF = GND, ICL3244E Only                                       | Full                   | -                    | ±0.05                | ±10  | µA    |
| Output Voltage Low                                       | I <sub>OUT</sub> = 1.6mA  | Full                   | -                    | -                    | 0.4  | V     |
| Output Voltage High                                      | I <sub>OUT</sub> = -1.0mA   | Full                   | V <sub>CC</sub> -0.6 | V <sub>CC</sub> -0.1 | -    | V     |
| <b>RECEIVER INPUTS</b>                                   |   |                        |                      |                      |      |       |
| Input Voltage Range                                      |   | Full                   | -25                  | -                    | 25   | V     |
| Input Threshold Low                                      | V <sub>CC</sub> = 3.3V  | 25                     | 0.6                  | 1.2                  | -    | V     |
|  | V <sub>CC</sub> = 5.0V  | 25                     | 0.8                  | 1.5                  | -    | V     |

## ICL3224E, ICL3226E, ICL3244E

**Electrical Specifications** Test Conditions:  $V_{CC} = 3V$  to  $5.5V$ ,  $C_1 - C_4 = 0.1\mu F$ ; Unless Otherwise Specified.  
Typicals are at  $T_A = 25^\circ C$  (Continued)

| PARAMETER   | TEST CONDITIONS  | TEMP (°C) | MIN          | TYP       | MAX      | UNITS      |
|---|--|-----------|--------------|-----------|----------|------------|
| Input Threshold High  | $V_{CC} = 3.3V$  | 25        | -            | 1.5       | 2.4      | V          |
|   | $V_{CC} = 5.0V$  | 25        | -            | 1.8       | 2.4      | V          |
| Input Hysteresis  |  | 25        | -            | 0.5       | -        | V          |
| Input Resistance  |  | 25        | 3            | 5         | 7        | k $\Omega$ |
| <b>TRANSMITTER OUTPUTS</b>  |  |           |              |           |          |            |
| Output Voltage Swing  | All Transmitter Outputs Loaded with 3k $\Omega$ to Ground  | Full      | $\pm 5.0$    | $\pm 5.4$ | -        | V          |
| Output Resistance   | $V_{CC} = V_+ = V_- = 0V$ , Transmitter Output = $\pm 2V$  | Full      | 300          | 10M       | -        | $\Omega$   |
| Output Short-Circuit Current  |  | Full      | -            | $\pm 35$  | $\pm 60$ | mA         |
| Output Leakage Current  | $V_{OUT} = \pm 12V$ , $V_{CC} = 0V$ or $3V$ to $5.5V$<br>Automatic Powerdown or FORCEOFF = GND   | Full      | -            | -         | $\pm 25$ | $\mu A$    |
| <b>MOUSE DRIVEABILITY (ICL3244E Only)</b>   |  |           |              |           |          |            |
| Transmitter Output Voltage (See Figure 11)  | $T1_{IN} = T2_{IN} = GND$ , $T3_{IN} = V_{CC}$ , $T3_{OUT}$ Loaded with 3k $\Omega$ to GND, $T1_{OUT}$ and $T2_{OUT}$ Loaded with 2.5mA Each | Full      | $\pm 5$      | -         | -        | V          |
| <b>ENHANCED AUTOMATIC POWERDOWN (FORCEON = GND, FORCEOFF = <math>V_{CC}</math>)</b>       |  |           |              |           |          |            |
| Receiver Input Thresholds to INVALID High   | See Figure 6   | Full      | -2.7         | -         | 2.7      | V          |
| Receiver Input Thresholds to INVALID Low  | See Figure 6   | Full      | -0.3         | -         | 0.3      | V          |
| $\overline{INVALID}$ , READY Output Voltage Low   | $I_{OUT} = 1.6mA$  | Full      | -            | -         | 0.4      | V          |
| $\overline{INVALID}$ , READY Output Voltage High  | $I_{OUT} = -1.0mA$   | Full      | $V_{CC}-0.6$ | -         | -        | V          |
| Receiver Positive or Negative Threshold to $\overline{INVALID}$ High Delay ( $t_{INVH}$ ) |  | 25        | -            | 1         | -        | $\mu s$    |
| Receiver Positive or Negative Threshold to $\overline{INVALID}$ Low Delay ( $t_{INVL}$ )  |  | 25        | -            | 30        | -        | $\mu s$    |
| Receiver or Transmitter Edge to Transmitters Enabled Delay ( $t_{WU}$ )                   | Note 3   | 25        | -            | 100       | -        | $\mu s$    |
| Receiver or Transmitter Edge to Transmitters Disabled Delay ( $t_{AUTOPWDN}$ )            | Note 3   | Full      | 15           | 30        | 60       | sec        |
| <b>TIMING CHARACTERISTICS</b>   |  |           |              |           |          |            |
| Maximum Data Rate   | $R_L = 3k\Omega$ , $C_L = 1000pF$ , One Transmitter Switching  | Full      | 250          | 500       | -        | kbps       |
| Receiver Propagation Delay  | Receiver Input to Receiver Output, $C_L = 150pF$   | $t_{PHL}$ | 25           | -         | 0.15     | $\mu s$    |
|   |  | $t_{PLH}$ | 25           | -         | 0.15     | $\mu s$    |
| Receiver Output Enable Time   | Normal Operation (ICL3244E Only)   | 25        | -            | 200       | -        | ns         |
| Receiver Output Disable Time  | Normal Operation (ICL3244E Only)   | 25        | -            | 200       | -        | ns         |
| Transmitter Skew  | $t_{PHL} - t_{PLH}$  | 25        | -            | 100       | -        | ns         |

**Electrical Specifications** Test Conditions:  $V_{CC} = 3V$  to  $5.5V$ ,  $C_1 - C_4 = 0.1\mu F$ ; Unless Otherwise Specified.  
Typicals are at  $T_A = 25^\circ C$  (Continued)

| PARAMETER                            | TEST CONDITIONS   | TEMP (°C)                 | MIN | TYP      | MAX | UNITS        |
|--------------------------------------|---|---------------------------|-----|----------|-----|--------------|
| Receiver Skew                        | $t_{PHL} - t_{PLH}$   | 25                        | -   | 50       | -   | ns           |
| Transition Region Slew Rate          | $V_{CC} = 3.3V$ ,<br>$R_L = 3k\Omega$ to $7k\Omega$ ,<br>Measured From $3V$ to $-3V$ or $-3V$ to $3V$ | $C_L = 150pF$ to $1000pF$ | 25  | 6        | -   | $30 V/\mu s$ |
|                                      |   | $C_L = 150pF$ to $2500pF$ | 25  | 4        | 8   | $30 V/\mu s$ |
| <b>ESD PERFORMANCE</b>               |   |                           |     |          |     |              |
| RS-232 Pins ( $T_{OUT}$ , $R_{IN}$ ) | Human Body Model  | 25                        | -   | $\pm 15$ | -   | kV           |
|                                      | IEC61000-4-2 Contact Discharge  | 25                        | -   | $\pm 8$  | -   | kV           |
|                                      | IEC61000-4-2 Air Gap Discharge  | 25                        | -   | $\pm 15$ | -   | kV           |
| All Other Pins                       | Human Body Model  | 25                        | -   | $\pm 3$  | -   | kV           |

NOTE:

- An "edge" is defined as a transition through the transmitter or receiver input thresholds.

### Detailed Description

These ICL32XXE interface ICs operate from a single +3V to +5.5V supply, guarantee a 250kbps minimum data rate, require only four small external 0.1μF capacitors, feature low power consumption, and meet all EIA RS-232C and V.28 specifications. The circuit is divided into three sections: The charge pump, the transmitters, and the receivers.

#### Charge-Pump

Intersil's new ICL32XXE family utilizes regulated on-chip dual charge pumps as voltage doublers, and voltage inverters to generate ±5.5V transmitter supplies from a  $V_{CC}$  supply as low as 3.0V. This allows these devices to maintain RS-232 compliant output levels over the ±10% tolerance range of 3.3V powered systems. The efficient on-chip power supplies require only four small, external 0.1μF capacitors for the voltage doubler and inverter functions at  $V_{CC} = 3.3V$ . See the "Capacitor Selection" section, and Table 3 for capacitor recommendations for other operating conditions. The charge pumps operate discontinuously (i.e., they turn off as soon as the V+ and V- supplies are pumped up to the nominal values), resulting in significant power savings.

#### Transmitters

The transmitters are proprietary, low dropout, inverting drivers that translate TTL/CMOS inputs to EIA/TIA-232 output levels. Coupled with the on-chip ±5.5V supplies, these transmitters deliver true RS-232 levels over a wide range of single supply system voltages.

Transmitter outputs disable and assume a high impedance state when the device enters the powerdown mode (see Table 2). These outputs may be driven to ±12V when disabled.

All devices guarantee a 250kbps data rate for full load conditions (3kΩ and 1000pF),  $V_{CC} \geq 3.0V$ , with one transmitter operating at full speed. Under more typical conditions of  $V_{CC} \geq 3.3V$ ,  $R_L = 3k\Omega$ , and  $C_L = 250pF$ , one transmitter easily operates at 1Mbps.

Transmitter inputs float if left unconnected, and may cause  $I_{CC}$  increases. Connect unused inputs to GND for the best performance.

#### Receivers

All the ICL32XXE devices contain standard inverting receivers, but only the ICL3244E receivers can three-state, via the FORCEOFF control line. Additionally, the ICL3244E includes a noninverting (monitor) receiver (denoted by the  $R_{OUTB}$  label) that is always active, regardless of the state of any control lines. Both receiver types convert RS-232 signals to CMOS output levels and accept inputs up to ±25V while presenting the required 3kΩ to 7kΩ input impedance (see Figure 1) even if the power is off ( $V_{CC} = 0V$ ). The receivers' Schmitt trigger input stage uses hysteresis to increase noise immunity and decrease errors due to slow input signal transitions.

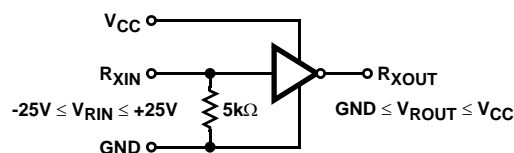


FIGURE 1. INVERTING RECEIVER CONNECTIONS

## ICL3224E, ICL3226E, ICL3244E

The ICL3244E inverting receivers disable during forced (manual) powerdown, but not during automatic powerdown (see Table 2). Conversely, the monitor receiver remains active even during manual powerdown making it extremely useful for Ring Indicator monitoring. Standard receivers

driving powered down peripherals must be disabled to prevent current flow through the peripheral's protection diodes (see Figures 2 and 3). This renders them useless for wake up functions, but the corresponding monitor receiver can be dedicated to this task as shown in Figure 3.

**TABLE 2. POWERDOWN LOGIC TRUTH TABLE**

| RCVR OR XMTR EDGE WITHIN 30 SEC?  | $\overline{\text{FORCEOFF}}$ INPUT | FORCEON INPUT | TRANSMITTER OUTPUTS | RECEIVER OUTPUTS | (NOTE 4) $R_{\text{OUTB}}$ OUTPUTS | RS-232 LEVEL PRESENT AT RECEIVER INPUT? | $\overline{\text{INVALID}}$ OUTPUT | MODE OF OPERATION                                   |
|---|------------------------------------|---------------|---------------------|------------------|------------------------------------|---|------------------------------------|---|
| <b>ICL3224E, ICL3226E</b>   |                                    |               |                     |                  |                                    |   |                                    |   |
| NO  | H                                  | H             | Active              | Active           | N.A.                               | NO                                      | L                                  | Normal Operation (Enhanced Auto Powerdown Disabled) |
| NO  | H                                  | H             | Active              | Active           | N.A.                               | YES                                     | H                                  |   |
| YES   | H                                  | L             | Active              | Active           | N.A.                               | NO                                      | L                                  | Normal Operation (Enhanced Auto Powerdown Enabled)  |
| YES   | H                                  | L             | Active              | Active           | N.A.                               | YES                                     | H                                  |   |
| NO  | H                                  | L             | High-Z              | Active           | N.A.                               | NO                                      | L                                  | Powerdown Due to Enhanced Auto Powerdown Logic      |
| NO  | H                                  | L             | High-Z              | Active           | N.A.                               | YES                                     | H                                  |   |
| X   | L                                  | X             | High-Z              | Active           | N.A.                               | NO                                      | L                                  | Manual Powerdown                                    |
| X   | L                                  | X             | High-Z              | Active           | N.A.                               | YES                                     | H                                  |   |
| <b>ICL322XE - <math>\overline{\text{INVALID}}</math> DRIVING FORCEON AND <math>\overline{\text{FORCEOFF}}</math> (EMULATES AUTOMATIC POWERDOWN)</b> |                                    |               |                     |                  |                                    |   |                                    |   |
| X   | NOTE 5                             | NOTE 5        | Active              | Active           | N.A.                               | YES                                     | H                                  | Normal Operation                                    |
| X   | NOTE 5                             | NOTE 5        | High-Z              | Active           | N.A.                               | NO                                      | L                                  | Forced Auto Powerdown                               |
| <b>ICL3244E</b>   |                                    |               |                     |                  |                                    |   |                                    |   |
| NO  | H                                  | H             | Active              | Active           | Active                             | NO                                      | L                                  | Normal Operation (Enhanced Auto Powerdown Disabled) |
| NO  | H                                  | H             | Active              | Active           | Active                             | YES                                     | H                                  |   |
| YES   | H                                  | L             | Active              | Active           | Active                             | NO                                      | L                                  | Normal Operation (Enhanced Auto Powerdown Enabled)  |
| YES   | H                                  | L             | Active              | Active           | Active                             | YES                                     | H                                  |   |
| NO  | H                                  | L             | High-Z              | Active           | Active                             | NO                                      | L                                  | Powerdown Due to Enhanced Auto Powerdown Logic      |
| NO  | H                                  | L             | High-Z              | Active           | Active                             | YES                                     | H                                  |   |
| X   | L                                  | X             | High-Z              | High-Z           | Active                             | NO                                      | L                                  | Manual Powerdown                                    |
| X   | L                                  | X             | High-Z              | High-Z           | Active                             | YES                                     | H                                  |   |
| <b>ICL3244E - <math>\overline{\text{INVALID}}</math> DRIVING FORCEON AND <math>\overline{\text{FORCEOFF}}</math> (EMULATES AUTOMATIC POWERDOWN)</b> |                                    |               |                     |                  |                                    |   |                                    |   |
| X   | NOTE 5                             | NOTE 5        | Active              | Active           | Active                             | YES                                     | H                                  | Normal Operation                                    |
| X   | NOTE 5                             | NOTE 5        | High-Z              | High-Z           | Active                             | NO                                      | L                                  | Forced Auto Powerdown                               |

**NOTES:**

4. Applies only to the ICL3244E.
5. Input is connected to  $\overline{\text{INVALID}}$  Output.



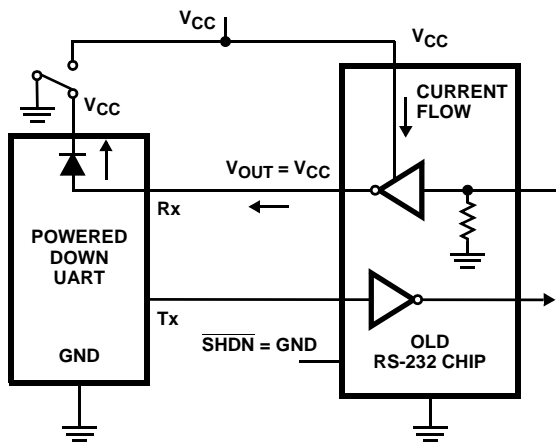


FIGURE 2. POWER DRAIN THROUGH POWERED DOWN PERIPHERAL

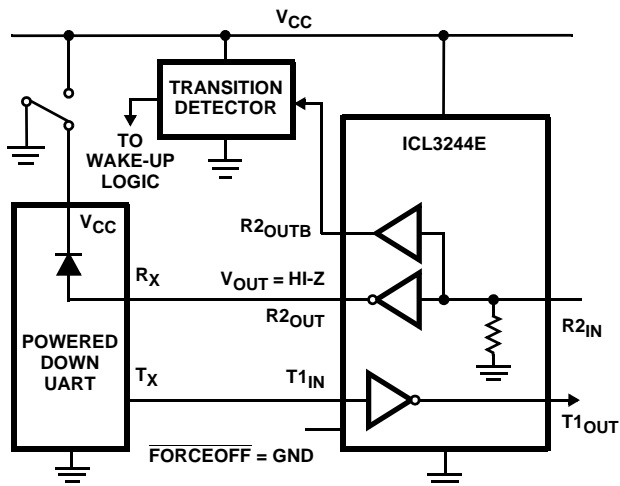


FIGURE 3. DISABLED RECEIVERS PREVENT POWER DRAIN

**Powerdown Functionality**

This 3V family of RS-232 interface devices requires a nominal supply current of 0.3mA during normal operation (not in powerdown mode). This is considerably less than the 5mA to 11mA current required of 5V RS-232 devices. The already low current requirement drops significantly when the device enters powerdown mode. In powerdown, supply current drops to 1µA, because the on-chip charge pump turns off (V+ collapses to V<sub>CC</sub>, V- collapses to GND), and the transmitter outputs three-state. Inverting receiver outputs may or may not disable in powerdown; refer to Table 2 for details. This micro-power mode makes these devices ideal for battery powered and portable applications.

**Software Controlled (Manual) Powerdown**

These devices allow the user to force the IC into the low power, standby state, and utilize a two pin approach where the FORCEON and FORCEOFF inputs determine the IC's mode. For always enabled operation, FORCEON and FORCEOFF are both strapped high. To switch between

active and powerdown modes, under logic or software control, only the FORCEOFF input need be driven. The FORCEON state isn't critical, as FORCEOFF dominates over FORCEON. Nevertheless, if strictly manual control over powerdown is desired, the user must strap FORCEON high to disable the enhanced automatic powerdown circuitry. ICL3244E inverting (standard) receiver outputs also disable when the device is in powerdown, thereby eliminating the possible current path through a shutdown peripheral's input protection diode (see Figures 2 and 3).

Connecting FORCEOFF and FORCEON together disables the enhanced automatic powerdown feature, enabling them to function as a manual SHUTDOWN input (see Figure 4).

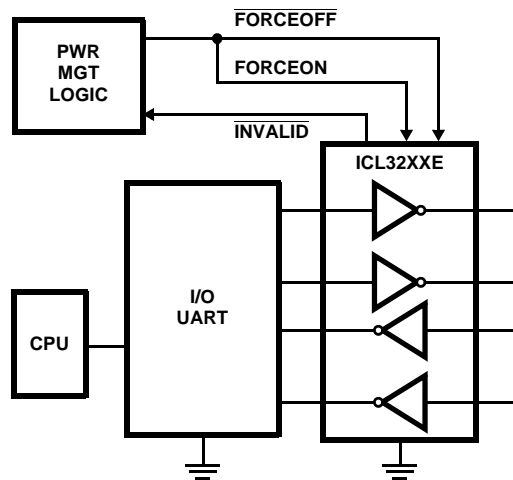


FIGURE 4. CONNECTIONS FOR MANUAL POWERDOWN WHEN NO VALID RECEIVER SIGNALS ARE PRESENT

With any of the above control schemes, the time required to exit powerdown, and resume transmission is only 100µs.

When using both manual and enhanced automatic powerdown (FORCEON = 0), the ICL32XXE won't power up from manual powerdown until both FORCEOFF and FORCEON are driven high, or until a transition occurs on a receiver or transmitter input. Figure 5 illustrates a circuit for ensuring that the ICL32XXE powers up as soon as FORCEOFF switches high. The rising edge of the Master Powerdown signal forces the device to power up, and the ICL32XXE returns to enhanced automatic powerdown mode an RC time constant after this rising edge. The time constant isn't critical, because the ICL32XXE remains powered up for 30 seconds after the FORCEON falling edge, even if there are no signal transitions. This gives slow-to-wake systems (e.g., a mouse) plenty of time to start transmitting, and as long as it starts transmitting within 30 seconds both systems remain enabled.

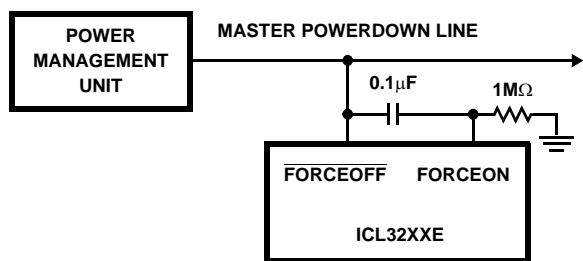


FIGURE 5. CIRCUIT TO ENSURE IMMEDIATE POWER UP WHEN EXITING FORCED POWERDOWN

**INVALID Output**

The  $\overline{\text{INVALID}}$  output always indicates (see Table 2) whether or not 30µs have elapsed with invalid RS-232 signals (see Figures 6 and 8) persisting on all of the receiver inputs, giving the user an easy way to determine when the interface block should power down. Invalid receiver levels occur whenever the driving peripheral's outputs are shut off (powered down) or when the RS-232 interface cable is disconnected. In the case of a disconnected interface cable where all the receiver inputs are floating (but pulled to GND by the internal receiver pull down resistors), the  $\overline{\text{INVALID}}$  logic detects the invalid levels and drives the output low. The power management logic then uses this indicator to power down the interface block. Reconnecting the cable restores valid levels at the receiver inputs,  $\overline{\text{INVALID}}$  switches high, and the power management logic wakes up the interface block.  $\overline{\text{INVALID}}$  can also be used to indicate the DTR or RING INDICATOR signal, as long as the other receiver inputs are floating, or driven to GND (as in the case of a powered down driver).

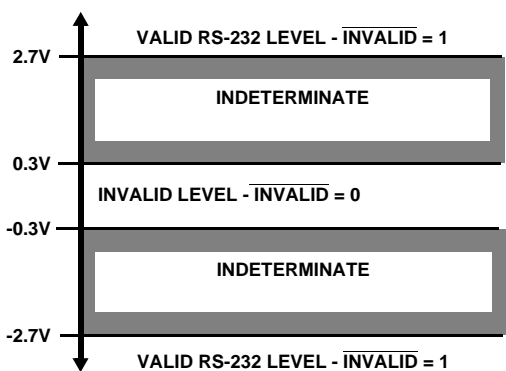


FIGURE 6. DEFINITION OF VALID RS-232 RECEIVER LEVELS

**Enhanced Automatic Powerdown**

Even greater power savings is available by using these devices which feature an *enhanced automatic* powerdown function. When the enhanced powerdown logic determines that no transitions have occurred on any of the transmitter nor receiver inputs for 30 seconds, the charge pump and transmitters powerdown, thereby reducing supply current to 1µA. The ICL32XXE automatically powers back up

whenever it detects a transition on one of these inputs. This automatic powerdown feature provides additional system power savings without changes to the existing operating system.

Enhanced automatic powerdown operates when the FORCEON input is low, and the  $\overline{\text{FORCEOFF}}$  input is high. Tying FORCEON high disables automatic powerdown, but manual powerdown is always available via the overriding  $\overline{\text{FORCEOFF}}$  input. Table 2 summarizes the enhanced automatic powerdown functionality.

Figure 7 illustrates the enhanced powerdown control logic. Note that once the ICL32XXE enters powerdown (manually or automatically), the 30 second timer remains timed out (set), keeping the ICL32XXE powered down until FORCEON transitions high, or until a transition occurs on a receiver or transmitter input.

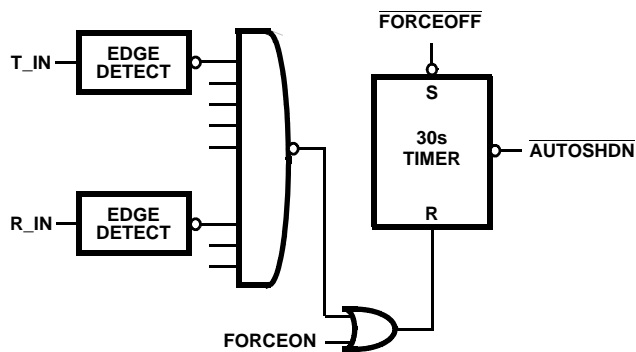


FIGURE 7. ENHANCED AUTOMATIC POWERDOWN LOGIC

The  $\overline{\text{INVALID}}$  output signal switches low to indicate that invalid levels have persisted on all of the receiver inputs for more than 30µs (see Figure 8), but this has no direct effect on the state of the ICL32XXE (see the next sections for methods of utilizing  $\overline{\text{INVALID}}$  to power down the device).  $\overline{\text{INVALID}}$  switches high 1µs after detecting a valid RS-232 level on a receiver input.  $\overline{\text{INVALID}}$  operates in all modes (forced or automatic powerdown, or forced on), so it is also useful for systems employing manual powerdown circuitry.

The time to recover from automatic powerdown mode is typically 100µs.

**Emulating Standard Automatic Powerdown**

If enhanced automatic powerdown isn't desired, the user can implement the standard automatic powerdown feature (mimics the function on the ICL3221E/23E/43E) by connecting the  $\overline{\text{INVALID}}$  output to the FORCEON and  $\overline{\text{FORCEOFF}}$  inputs, as shown in Figure 9. After 30µs of invalid receiver levels,  $\overline{\text{INVALID}}$  switches low and drives the ICL32XXE into a forced powerdown condition.  $\overline{\text{INVALID}}$  switches high as soon as a receiver input senses a valid RS-232 level, forcing the ICL32XXE to power on. See the " $\overline{\text{INVALID}}$  DRIVING FORCEON AND  $\overline{\text{FORCEOFF}}$ " section of Table 2 for an operational summary. This operational mode is perfect for handheld devices that communicate with

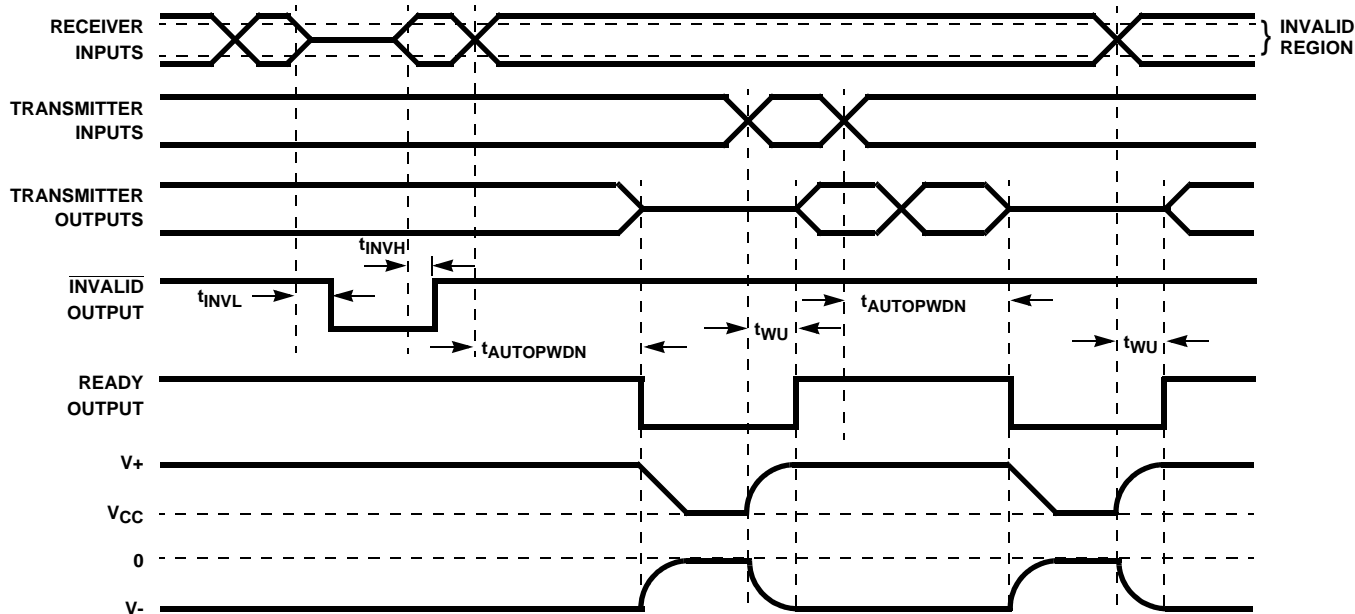


FIGURE 8. ENHANCED AUTOMATIC POWERDOWN, INVALID AND READY TIMING DIAGRAMS

another computer via a detachable cable. Detaching the cable allows the internal receiver pull-down resistors to pull the inputs to GND (an invalid RS-232 level), causing the 30µs timer to time-out and drive the IC into powerdown. Reconnecting the cable restores valid levels, causing the IC to power back up.

**Hybrid Automatic Powerdown Options**

For devices which communicate only through a detachable cable, connecting  $\overline{\text{INVALID}}$  to  $\overline{\text{FORCEOFF}}$  (with  $\text{FORCEON} = 0$ ) may be a desirable configuration. While the cable is attached  $\overline{\text{INVALID}}$  and  $\overline{\text{FORCEOFF}}$  remain high, so the enhanced automatic powerdown logic powers down the RS-232 device whenever there is 30 seconds of inactivity on the receiver and transmitter inputs. Detaching the cable allows the receiver inputs to drop to an invalid level (GND), so  $\overline{\text{INVALID}}$  switches low and forces the RS-232 device to power down. The ICL32XXE remains powered down until the cable is reconnected ( $\overline{\text{INVALID}} = \overline{\text{FORCEOFF}} = 1$ ) and a transition occurs on a receiver or transmitter input (see Figure 7). For immediate power up when the cable is reattached, connect  $\overline{\text{FORCEON}}$  to  $\overline{\text{FORCEOFF}}$  through a network similar to that shown in Figure 5.

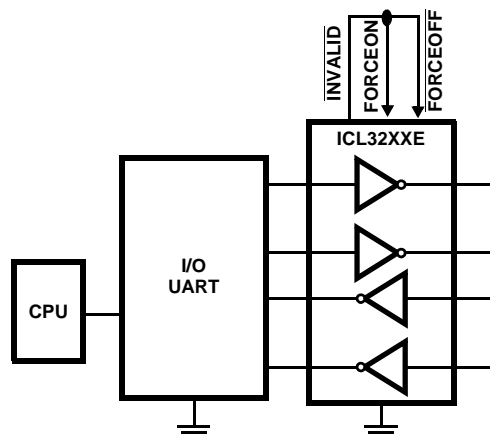


FIGURE 9. CONNECTIONS FOR AUTOMATIC POWERDOWN WHEN NO VALID RECEIVER SIGNALS ARE PRESENT

**Ready Output (ICL3224E and ICL3226E only)**

The Ready output indicates that the ICL322XE is ready to transmit. Ready switches low whenever the device enters powerdown, and switches back high during power-up when  $V_-$  reaches -4V or lower.

**Capacitor Selection**

The charge pumps require 0.1µF capacitors for 3.3V operation. For other supply voltages refer to Table 3 for capacitor values. Do not use values smaller than those listed in Table 3. Increasing the capacitor values (by a factor of 2) reduces ripple on the transmitter outputs and slightly reduces power consumption.  $C_2$ ,  $C_3$ , and  $C_4$  can be increased without increasing  $C_1$ 's value, however, do not increase  $C_1$  without also increasing  $C_2$ ,  $C_3$ , and  $C_4$  to maintain the proper ratios ( $C_1$  to the other capacitors).

When using minimum required capacitor values, make sure that capacitor values do not degrade excessively with temperature. If in doubt, use capacitors with a larger nominal value. The capacitor's equivalent series resistance (ESR) usually rises at low temperatures and it influences the amount of ripple on V+ and V-.

TABLE 3. REQUIRED CAPACITOR VALUES

| V <sub>CC</sub> (V) | C <sub>1</sub> (μF) | C <sub>2</sub> , C <sub>3</sub> , C <sub>4</sub> (μF) |
|---------------------|---------------------|---|
| 3.0 to 3.6          | 0.1                 | 0.1   |
| 4.5 to 5.5          | 0.047               | 0.33  |
| 3.0 to 5.5          | 0.1                 | 0.47  |

### Power Supply Decoupling

In most circumstances a 0.1μF bypass capacitor is adequate. In applications that are particularly sensitive to power supply noise, decouple V<sub>CC</sub> to ground with a capacitor of the same value as the charge-pump capacitor C<sub>1</sub>. Connect the bypass capacitor as close as possible to the IC.

### Operation Down to 2.7V

ICL32XXE transmitter outputs meet RS-562 levels (±3.7V), at full data rate, with V<sub>CC</sub> as low as 2.7V. RS-562 levels typically ensure interoperability with RS-232 devices.

### Transmitter Outputs when Exiting Powerdown

Figure 10 shows the response of two transmitter outputs when exiting powerdown mode. As they activate, the two transmitter outputs properly go to opposite RS-232 levels, with no glitching, ringing, nor undesirable transients. Each transmitter is loaded with 3kΩ in parallel with 2500pF. Note that the transmitters enable only when the magnitude of the supplies exceed approximately 3V.

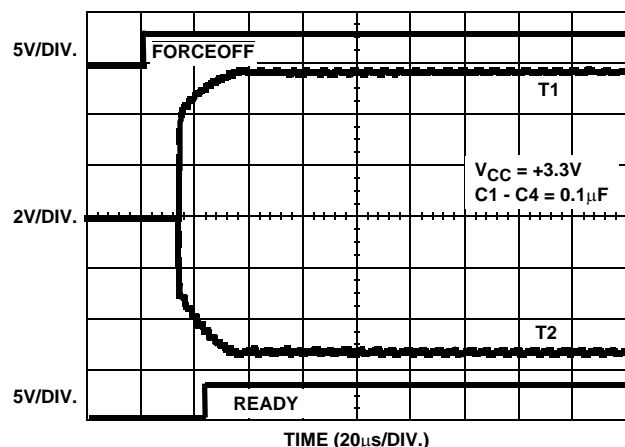


FIGURE 10. TRANSMITTER OUTPUTS WHEN EXITING POWERDOWN

### Mouse Driveability

The ICL3244E is specifically designed to power a serial mouse while operating from low voltage supplies. Figure 11 shows the transmitter output voltages under increasing load current. The on-chip switching regulator ensures the transmitters will supply at least ±5V during worst case conditions (15mA for paralleled V+ transmitters, 7.3mA for single V- transmitter).

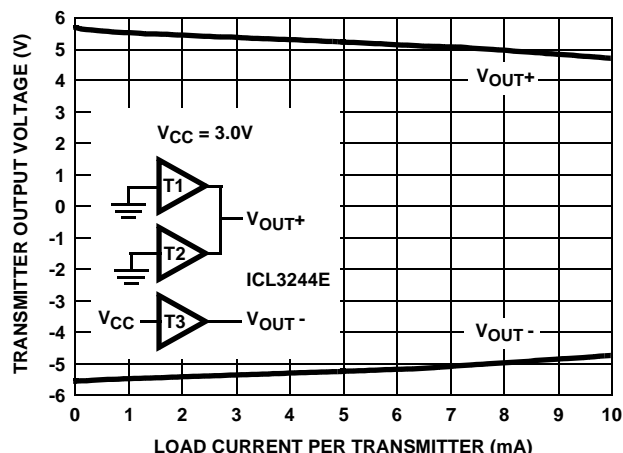


FIGURE 11. TRANSMITTER OUTPUT VOLTAGE vs LOAD CURRENT (PER TRANSMITTER, i.e., DOUBLE CURRENT AXIS FOR TOTAL V<sub>OUT+</sub> CURRENT)

### High Data Rates

The ICL32XXE maintain the RS-232 ±5V minimum transmitter output voltages even at high data rates. Figure 12 details a transmitter loopback test circuit, and Figure 13 illustrates the loopback test result at 120kbps. For this test, all transmitters were simultaneously driving RS-232 loads in parallel with 1000pF, at 120kbps. Figure 14 shows the loopback results for a single transmitter driving 1000pF and an RS-232 load at 250kbps. The static transmitters were also loaded with an RS-232 receiver.

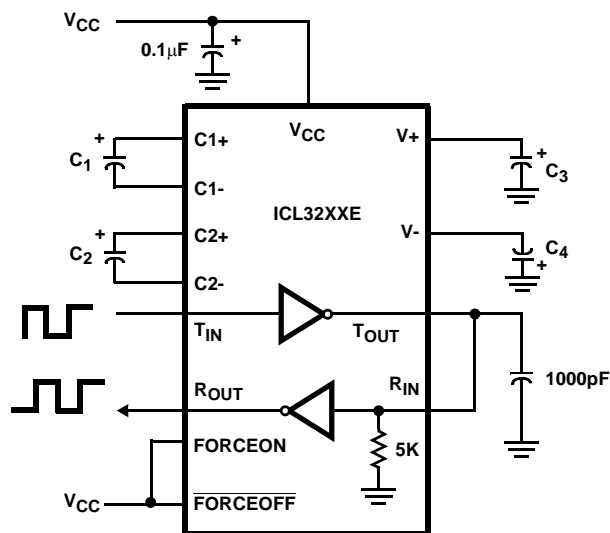


FIGURE 12. TRANSMITTER LOOPBACK TEST CIRCUIT

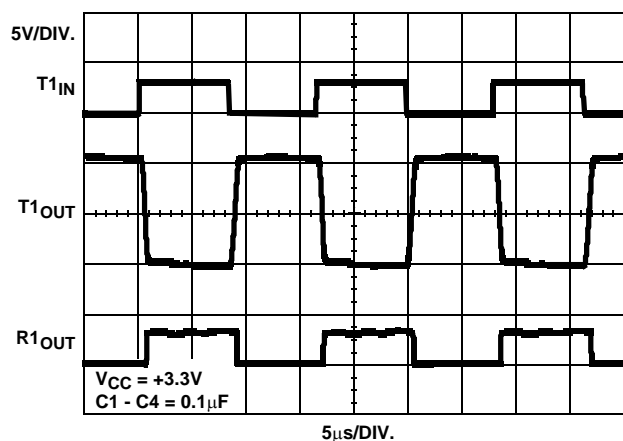


FIGURE 13. LOOPBACK TEST AT 120kbps

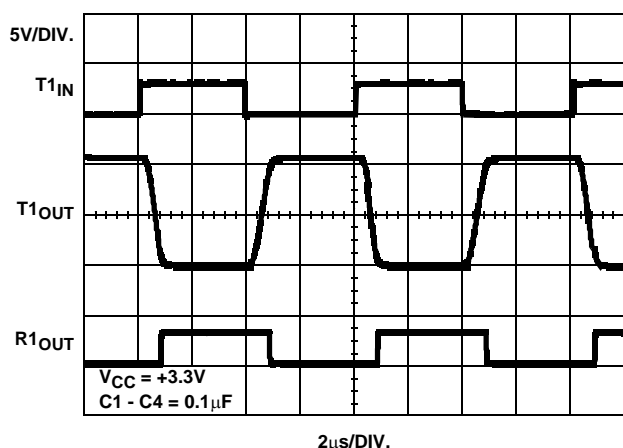


FIGURE 14. LOOPBACK TEST AT 250kbps

### Interconnection with 3V and 5V Logic

The ICL32XXE directly interfaces with 5V CMOS and TTL logic families. Nevertheless, with the ICL32XX at 3.3V, and the logic supply at 5V, AC, HC, and CD4000 outputs can drive ICL32XX inputs, but ICL32XX outputs do not reach the minimum  $V_{IH}$  for these logic families. See Table 4 for more information.

TABLE 4. LOGIC FAMILY COMPATIBILITY WITH VARIOUS SUPPLY VOLTAGES

| SYSTEM POWER-SUPPLY VOLTAGE (V) | V <sub>CC</sub> SUPPLY VOLTAGE (V) | COMPATIBILITY   |
|---------------------------------|------------------------------------|---|
| 3.3                             | 3.3                                | Compatible with all CMOS families.  |
| 5                               | 5                                  | Compatible with all TTL and CMOS logic families.  |
| 5                               | 3.3                                | Compatible with ACT and HCT CMOS, and with TTL. ICL32XX outputs are incompatible with AC, HC, and CD4000 CMOS inputs. |

### ±15kV ESD Protection

All pins on ICL32XX devices include ESD protection structures, but the ICL32XXE family incorporates advanced structures which allow the RS-232 pins (transmitter outputs and receiver inputs) to survive ESD events up to ±15kV. The RS-232 pins are particularly vulnerable to ESD damage because they typically connect to an exposed port on the exterior of the finished product. Simply touching the port pins, or connecting a cable, can cause an ESD event that might destroy unprotected ICs. These new ESD structures protect the device whether or not it is powered up, protect without allowing any latchup mechanism to activate, and don't interfere with RS-232 signals as large as ±25V.

### Human Body Model (HBM) Testing

As the name implies, this test method emulates the ESD event delivered to an IC during human handling. The tester delivers the charge through a 1.5kΩ current limiting resistor, making the test less severe than the IEC61000 test which utilizes a 330Ω limiting resistor. The HBM method determines an IC's ability to withstand the ESD transients typically present during handling and manufacturing. Due to the random nature of these events, each pin is tested with respect to all other pins. The RS-232 pins on "E" family devices can withstand HBM ESD events to ±15kV.

### IEC61000-4-2 Testing

The IEC 61000 test method applies to finished equipment, rather than to an individual IC. Therefore, the pins most likely to suffer an ESD event are those that are exposed to the outside world (the RS-232 pins in this case), and the IC is tested in its typical application configuration (power applied) rather than testing each pin-to-pin combination. The lower current limiting resistor coupled with the larger charge storage capacitor yields a test that is much more severe than the HBM test. The extra ESD protection built into this device's RS-232 pins allows the design of equipment meeting level 4 criteria without the need for additional board level protection on the RS-232 port.

### AIR-GAP DISCHARGE TEST METHOD

For this test method, a charged probe tip moves toward the IC pin until the voltage arcs to it. The current waveform delivered to the IC pin depends on approach speed, humidity, temperature, etc., so it is difficult to obtain repeatable results. The "E" device RS-232 pins withstand ±15kV air-gap discharges.

### CONTACT DISCHARGE TEST METHOD

During the contact discharge test, the probe contacts the tested pin before the probe tip is energized, thereby eliminating the variables associated with the air-gap discharge. The result is a more repeatable and predictable test, but equipment limits prevent testing devices at voltages higher than ±8kV. All "E" family devices survive ±8kV contact discharges on the RS-232 pins.

Typical Performance Curves  $V_{CC} = 3.3V, T_A = 25^{\circ}C$

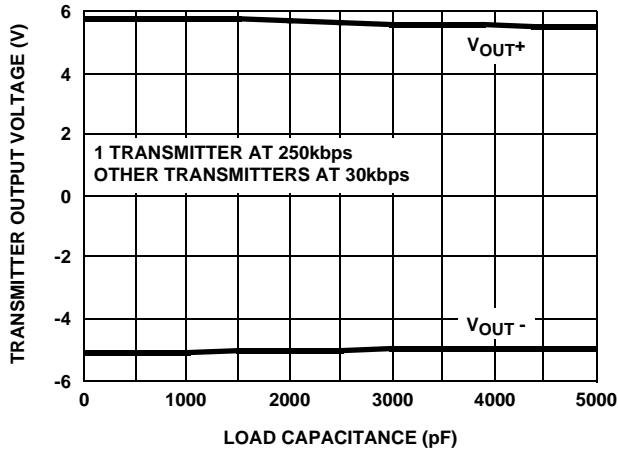


FIGURE 15. TRANSMITTER OUTPUT VOLTAGE vs LOAD CAPACITANCE

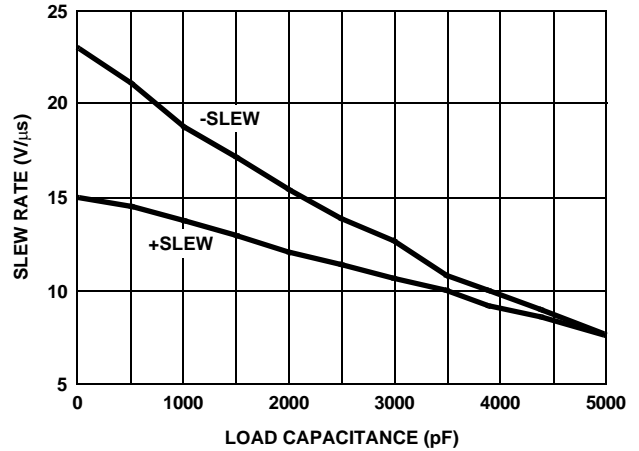


FIGURE 16. SLEW RATE vs LOAD CAPACITANCE

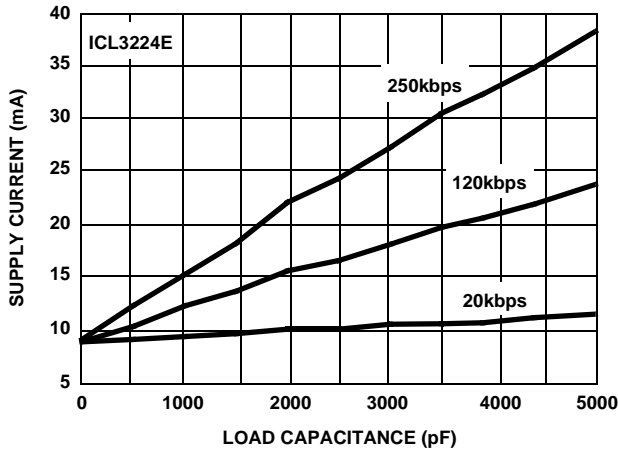


FIGURE 17. SUPPLY CURRENT vs LOAD CAPACITANCE WHEN TRANSMITTING DATA

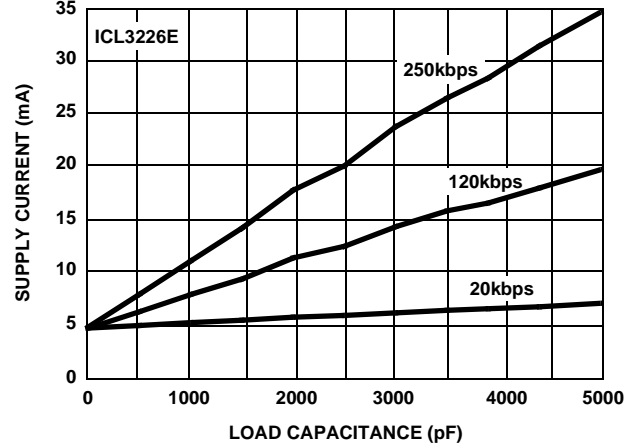


FIGURE 18. SUPPLY CURRENT vs LOAD CAPACITANCE WHEN TRANSMITTING DATA

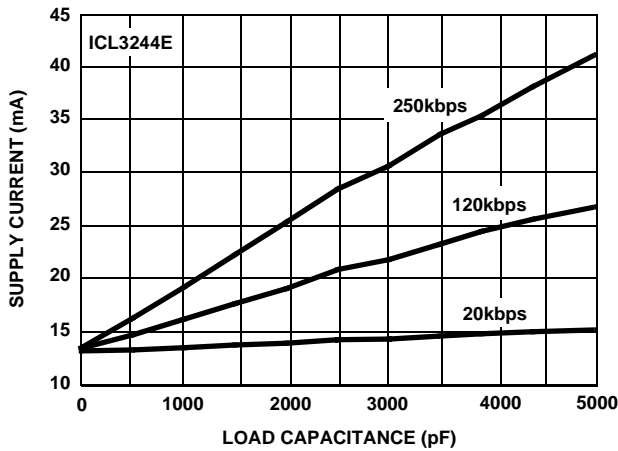


FIGURE 19. SUPPLY CURRENT vs LOAD CAPACITANCE WHEN TRANSMITTING DATA

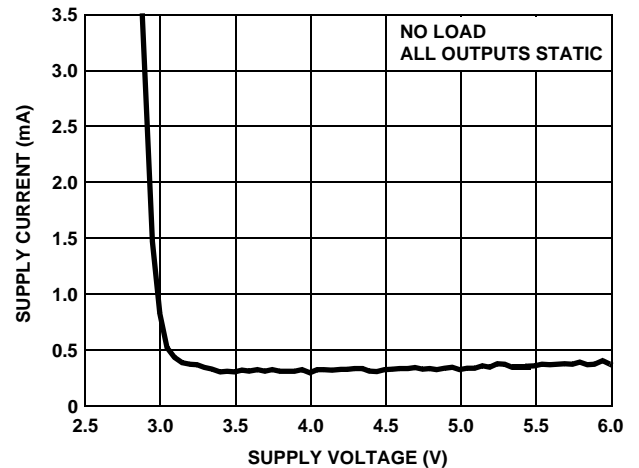


FIGURE 20. SUPPLY CURRENT vs SUPPLY VOLTAGE

***Die Characteristics***

**SUBSTRATE POTENTIAL (POWERED UP)**

GND

**TRANSISTOR COUNT**

ICL3224E: 937

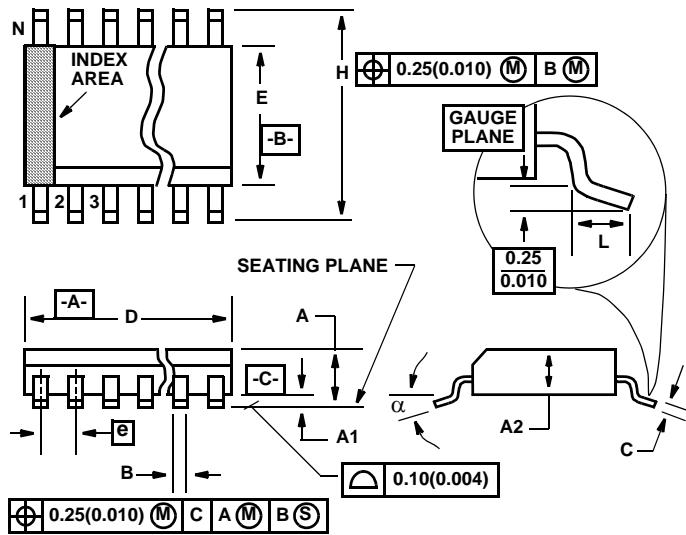
ICL3226E: 825

ICL3244E: 1109

**PROCESS**

Si Gate CMOS

Shrink Small Outline Plastic Packages (SSOP)



M20.209 (JEDEC MO-150-AE ISSUE B)  
20 LEAD SHRINK SMALL OUTLINE PLASTIC PACKAGE

| SYMBOL   | INCHES    |        | MILLIMETERS |        | NOTES |
|----------|-----------|--------|-------------|--------|-------|
|          | MIN       | MAX    | MIN         | MAX    |       |
| A        | 0.068     | 0.078  | 1.73        | 1.99   |       |
| A1       | 0.002     | 0.008' | 0.05        | 0.21   |       |
| A2       | 0.066     | 0.070' | 1.68        | 1.78   |       |
| B        | 0.010'    | 0.015  | 0.25        | 0.38   | 9     |
| C        | 0.004     | 0.008  | 0.09        | 0.20'  |       |
| D        | 0.278     | 0.289  | 7.07        | 7.33   | 3     |
| E        | 0.205     | 0.212  | 5.20'       | 5.38   | 4     |
| e        | 0.026 BSC |        | 0.65 BSC    |        |       |
| H        | 0.301     | 0.311  | 7.65        | 7.90'  |       |
| L        | 0.025     | 0.037  | 0.63        | 0.95   | 6     |
| N        | 20        |        | 20          |        | 7     |
| $\alpha$ | 0 deg.    | 8 deg. | 0 deg.      | 8 deg. |       |

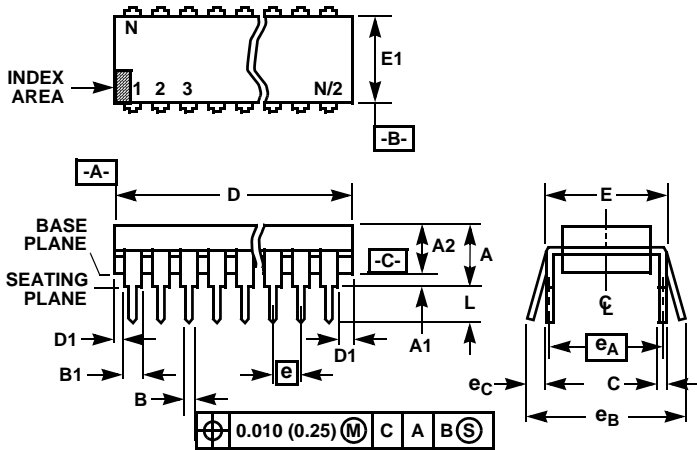
NOTES:

1. Symbols are defined in the "MO Series Symbol List" in Section 2.2 of Publication Number 95.
2. Dimensioning and tolerancing per ANSI Y14.5M-1982.
3. Dimension "D" does not include mold flash, protrusions or gate burrs. Mold flash, protrusion and gate burrs shall not exceed 0.20mm (0.0078 inch) per side.
4. Dimension "E" does not include interlead flash or protrusions. Interlead flash and protrusions shall not exceed 0.20mm (0.0078 inch) per side.
5. The chamfer on the body is optional. If it is not present, a visual index feature must be located within the crosshatched area.
6. "L" is the length of terminal for soldering to a substrate.
7. "N" is the number of terminal positions.
8. Terminal numbers are shown for reference only.
9. Dimension "B" does not include dambar protrusion. Allowable dambar protrusion shall be 0.13mm (0.005 inch) total in excess of "B" dimension at maximum material condition.
10. Controlling dimension: MILLIMETER. Converted inch dimensions are not necessarily exact.

Rev. 3 11/02



Dual-In-Line Plastic Packages (PDIP)



E20.3 (JEDEC MS-001-AD ISSUE D)  
20 LEAD DUAL-IN-LINE PLASTIC PACKAGE

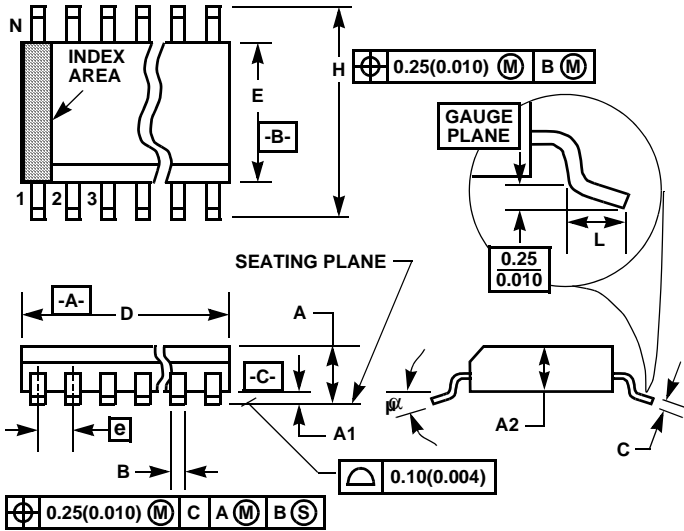
| SYMBOL         | INCHES    |       | MILLIMETERS |       | NOTES |
|----------------|-----------|-------|-------------|-------|-------|
|                | MIN       | MAX   | MIN         | MAX   |       |
| A              | -         | 0.210 | -           | 5.33  | 4     |
| A1             | 0.015     | -     | 0.39        | -     | 4     |
| A2             | 0.115     | 0.195 | 2.93        | 4.95  | -     |
| B              | 0.014     | 0.022 | 0.356       | 0.558 | -     |
| B1             | 0.045     | 0.070 | 1.55        | 1.77  | 8     |
| C              | 0.008     | 0.014 | 0.204       | 0.355 | -     |
| D              | 0.980     | 1.060 | 24.89       | 26.9  | 5     |
| D1             | 0.005     | -     | 0.13        | -     | 5     |
| E              | 0.300     | 0.325 | 7.62        | 8.25  | 6     |
| E1             | 0.240     | 0.280 | 6.10        | 7.11  | 5     |
| e              | 0.100 BSC |       | 2.54 BSC    |       | -     |
| e <sub>A</sub> | 0.300 BSC |       | 7.62 BSC    |       | 6     |
| e <sub>B</sub> | -         | 0.430 | -           | 10.92 | 7     |
| L              | 0.115     | 0.150 | 2.93        | 3.81  | 4     |
| N              | 20        |       | 20          |       | 9     |

NOTES:

- Controlling Dimensions: INCH. In case of conflict between English and Metric dimensions, the inch dimensions control.
- Dimensioning and tolerancing per ANSI Y14.5M-1982.
- Symbols are defined in the "MO Series Symbol List" in Section 2.2 of Publication No. 95.
- Dimensions A, A1 and L are measured with the package seated in JEDEC seating plane gauge GS-3.
- D, D1, and E1 dimensions do not include mold flash or protrusions. Mold flash or protrusions shall not exceed 0.010 inch (0.25mm).
- E and e<sub>A</sub> are measured with the leads constrained to be perpendicular to datum [-C-].
- e<sub>B</sub> and e<sub>C</sub> are measured at the lead tips with the leads unconstrained. e<sub>C</sub> must be zero or greater.
- B1 maximum dimensions do not include dambar protrusions. Dambar protrusions shall not exceed 0.010 inch (0.25mm).
- N is the maximum number of terminal positions.
- Corner leads (1, N, N/2 and N/2 + 1) for E8.3, E16.3, E18.3, E28.3, E42.6 will have a B1 dimension of 0.030 - 0.045 inch (0.76 - 1.14mm).

Rev. 0 12/93

Small Outline Plastic Packages (SSOP)



M16.209 (JEDEC MO-150-AC ISSUE B)  
16 LEAD SHRINK SMALL OUTLINE PLASTIC PACKAGE

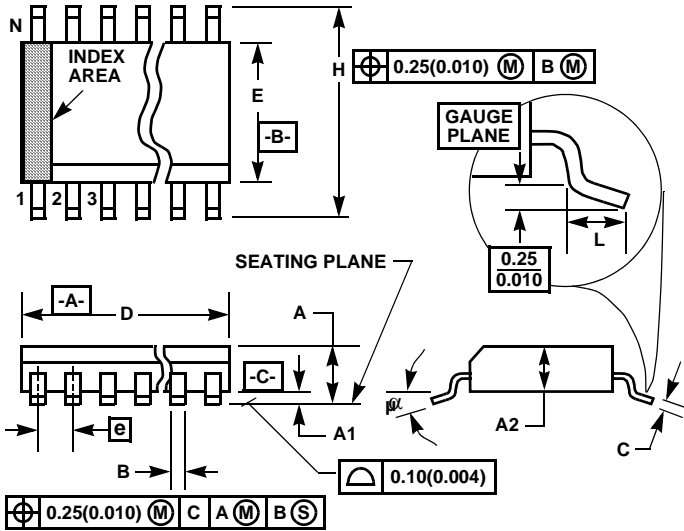
| SYMBOL   | INCHES    |       | MILLIMETERS |      | NOTES |
|----------|-----------|-------|-------------|------|-------|
|          | MIN       | MAX   | MIN         | MAX  |       |
| A        | -         | 0.078 | -           | 2.00 | -     |
| A1       | 0.002     | -     | 0.05        | -    | -     |
| A2       | 0.065     | 0.072 | 1.65        | 1.85 | -     |
| B        | 0.009     | 0.014 | 0.22        | 0.38 | 9     |
| C        | 0.004     | 0.009 | 0.09        | 0.25 | -     |
| D        | 0.233     | 0.255 | 5.90        | 6.50 | 3     |
| E        | 0.197     | 0.220 | 5.00        | 5.60 | 4     |
| e        | 0.026 BSC |       | 0.65 BSC    |      | -     |
| H        | 0.292     | 0.322 | 7.40        | 8.20 | -     |
| L        | 0.022     | 0.037 | 0.55        | 0.95 | 6     |
| N        | 16        |       | 16          |      | 7     |
| $\alpha$ | 0°        | 8°    | 0°          | 8°   | -     |

NOTES:

1. Symbols are defined in the "MO Series Symbol List" in Section 2.2 of Publication Number 95.
2. Dimensioning and tolerancing per ANSI Y14.5M-1982.
3. Dimension "D" does not include mold flash, protrusions or gate burrs. Mold flash, protrusion and gate burrs shall not exceed 0.20mm (0.0078 inch) per side.
4. Dimension "E" does not include interlead flash or protrusions. Interlead flash and protrusions shall not exceed 0.20mm (0.0078 inch) per side.
5. The chamfer on the body is optional. If it is not present, a visual index feature must be located within the crosshatched area.
6. "L" is the length of terminal for soldering to a substrate.
7. "N" is the number of terminal positions.
8. Terminal numbers are shown for reference only.
9. Dimension "B" does not include dambar protrusion. Allowable dambar protrusion shall be 0.13mm (0.005 inch) total in excess of "B" dimension at maximum material condition.
10. Controlling dimension: MILLIMETER. Converted inch dimensions are not necessarily exact.

Rev. 2 3/95

Shrink Small Outline Plastic Packages (SSOP)



**M28.209 (JEDEC MO-150-AH ISSUE B)**  
**28 LEAD SHRINK SMALL OUTLINE PLASTIC PACKAGE**

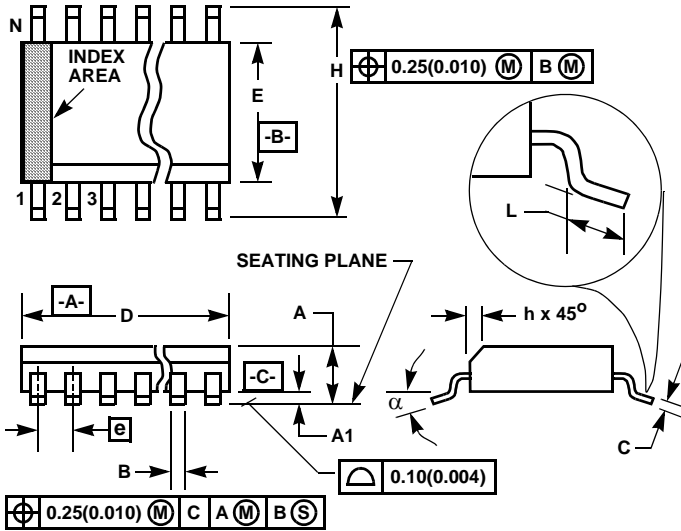
| SYMBOL   | INCHES    |       | MILLIMETERS |       | NOTES |
|----------|-----------|-------|-------------|-------|-------|
|          | MIN       | MAX   | MIN         | MAX   |       |
| A        | -         | 0.078 | -           | 2.00  | -     |
| A1       | 0.002     | -     | 0.05        | -     | -     |
| A2       | 0.065     | 0.072 | 1.65        | 1.85  | -     |
| B        | 0.009     | 0.014 | 0.22        | 0.38  | 9     |
| C        | 0.004     | 0.009 | 0.09        | 0.25  | -     |
| D        | 0.390     | 0.413 | 9.90        | 10.50 | 3     |
| E        | 0.197     | 0.220 | 5.00        | 5.60  | 4     |
| e        | 0.026 BSC |       | 0.65 BSC    |       | -     |
| H        | 0.292     | 0.322 | 7.40        | 8.20  | -     |
| L        | 0.022     | 0.037 | 0.55        | 0.95  | 6     |
| N        | 28        |       | 28          |       | 7     |
| $\alpha$ | 0°        | 8°    | 0°          | 8°    | -     |

NOTES:

1. Symbols are defined in the "MO Series Symbol List" in Section 2.2 of Publication Number 95.
2. Dimensioning and tolerancing per ANSI Y14.5M-1982.
3. Dimension "D" does not include mold flash, protrusions or gate burrs. Mold flash, protrusion and gate burrs shall not exceed 0.20mm (0.0078 inch) per side.
4. Dimension "E" does not include interlead flash or protrusions. Interlead flash and protrusions shall not exceed 0.20mm (0.0078 inch) per side.
5. The chamfer on the body is optional. If it is not present, a visual index feature must be located within the crosshatched area.
6. "L" is the length of terminal for soldering to a substrate.
7. "N" is the number of terminal positions.
8. Terminal numbers are shown for reference only.
9. Dimension "B" does not include dambar protrusion. Allowable dambar protrusion shall be 0.13mm (0.005 inch) total in excess of "B" dimension at maximum material condition.
10. Controlling dimension: MILLIMETER. Converted inch dimensions are not necessarily exact.

Rev. 1 3/95

Small Outline Plastic Packages (SOIC)



**M28.3 (JEDEC MS-013-AE ISSUE C)**  
**28 LEAD WIDE BODY SMALL OUTLINE PLASTIC PACKAGE**

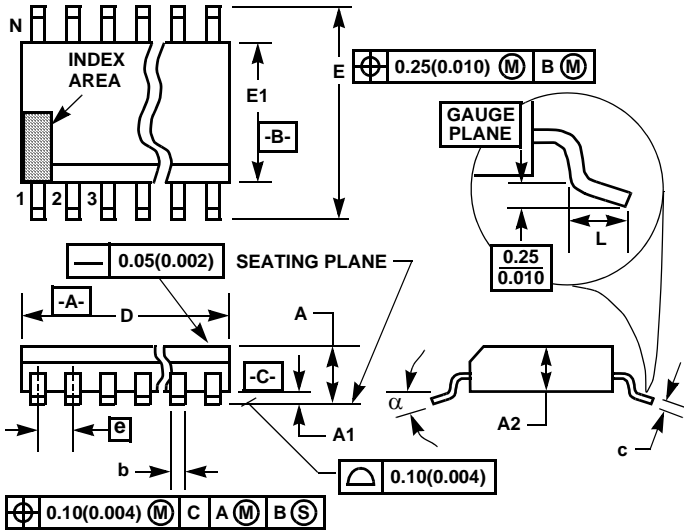
| SYMBOL   | INCHES   |        | MILLIMETERS |       | NOTES |
|----------|----------|--------|-------------|-------|-------|
|          | MIN      | MAX    | MIN         | MAX   |       |
| A        | 0.0926   | 0.1043 | 2.35        | 2.65  | -     |
| A1       | 0.0040   | 0.0118 | 0.10        | 0.30  | -     |
| B        | 0.013    | 0.0200 | 0.33        | 0.51  | 9     |
| C        | 0.0091   | 0.0125 | 0.23        | 0.32  | -     |
| D        | 0.6969   | 0.7125 | 17.70       | 18.10 | 3     |
| E        | 0.2914   | 0.2992 | 7.40        | 7.60  | 4     |
| e        | 0.05 BSC |        | 1.27 BSC    |       | -     |
| H        | 0.394    | 0.419  | 10.00       | 10.65 | -     |
| h        | 0.01     | 0.029  | 0.25        | 0.75  | 5     |
| L        | 0.016    | 0.050  | 0.40        | 1.27  | 6     |
| N        | 28       |        | 28          |       | 7     |
| $\alpha$ | 0°       | 8°     | 0°          | 8°    | -     |

NOTES:

1. Symbols are defined in the "MO Series Symbol List" in Section 2.2 of Publication Number 95.
2. Dimensioning and tolerancing per ANSI Y14.5M-1982.
3. Dimension "D" does not include mold flash, protrusions or gate burrs. Mold flash, protrusion and gate burrs shall not exceed 0.15mm (0.006 inch) per side.
4. Dimension "E" does not include interlead flash or protrusions. Interlead flash and protrusions shall not exceed 0.25mm (0.010 inch) per side.
5. The chamfer on the body is optional. If it is not present, a visual index feature must be located within the crosshatched area.
6. "L" is the length of terminal for soldering to a substrate.
7. "N" is the number of terminal positions.
8. Terminal numbers are shown for reference only.
9. The lead width "B", as measured 0.36mm (0.014 inch) or greater above the seating plane, shall not exceed a maximum value of 0.61mm (0.024 inch)
10. Controlling dimension: MILLIMETER. Converted inch dimensions are not necessarily exact.

Rev. 0 12/93

Thin Shrink Small Outline Plastic Packages (TSSOP)



**M28.173**  
28 LEAD THIN SHRINK SMALL OUTLINE PLASTIC PACKAGE

| SYMBOL | INCHES    |        | MILLIMETERS |      | NOTES |
|--------|-----------|--------|-------------|------|-------|
|        | MIN       | MAX    | MIN         | MAX  |       |
| A      | -         | 0.047  | -           | 1.20 | -     |
| A1     | 0.002     | 0.006  | 0.05        | 0.15 | -     |
| A2     | 0.031     | 0.051  | 0.80        | 1.05 | -     |
| b      | 0.0075    | 0.0118 | 0.19        | 0.30 | 9     |
| c      | 0.0035    | 0.0079 | 0.09        | 0.20 | -     |
| D      | 0.378     | 0.386  | 9.60        | 9.80 | 3     |
| E1     | 0.169     | 0.177  | 4.30        | 4.50 | 4     |
| e      | 0.026 BSC |        | 0.65 BSC    |      | -     |
| E      | 0.246     | 0.256  | 6.25        | 6.50 | -     |
| L      | 0.0177    | 0.0295 | 0.45        | 0.75 | 6     |
| N      | 28        |        | 28          |      | 7     |
| alpha  | 0°        | 8°     | 0°          | 8°   | -     |

NOTES:

1. These package dimensions are within allowable dimensions of JEDEC MO-153-AE, Issue E.
2. Dimensioning and tolerancing per ANSI Y14.5M-1982.
3. Dimension "D" does not include mold flash, protrusions or gate burrs. Mold flash, protrusion and gate burrs shall not exceed 0.15mm (0.006 inch) per side.
4. Dimension "E1" does not include interlead flash or protrusions. Interlead flash and protrusions shall not exceed 0.15mm (0.006 inch) per side.
5. The chamfer on the body is optional. If it is not present, a visual index feature must be located within the crosshatched area.
6. "L" is the length of terminal for soldering to a substrate.
7. "N" is the number of terminal positions.
8. Terminal numbers are shown for reference only.
9. Dimension "b" does not include dambar protrusion. Allowable dambar protrusion shall be 0.08mm (0.003 inch) total in excess of "b" dimension at maximum material condition. Minimum space between protrusion and adjacent lead is 0.07mm (0.0027 inch).
10. Controlling dimension: MILLIMETER. Converted inch dimensions are not necessarily exact. (Angles in degrees)

Rev. 0 6/98

All Intersil U.S. products are manufactured, assembled and tested utilizing ISO9000 quality systems. Intersil Corporation's quality certifications can be viewed at [www.intersil.com/design/quality](http://www.intersil.com/design/quality)

*Intersil products are sold by description only. Intersil Corporation reserves the right to make changes in circuit design, software and/or specifications at any time without notice. Accordingly, the reader is cautioned to verify that data sheets are current before placing orders. Information furnished by Intersil is believed to be accurate and reliable. However, no responsibility is assumed by Intersil or its subsidiaries for its use; nor for any infringements of patents or other rights of third parties which may result from its use. No license is granted by implication or otherwise under any patent or patent rights of Intersil or its subsidiaries.*

For information regarding Intersil Corporation and its products, see [www.intersil.com](http://www.intersil.com)