



SIGN	DATE	DESCRIPTION	APPROVER
△	02/07/06	Part No. changed	Tony
△	2010.03.23	Add the 2p mark	Jacke
△	2010.06.23	The drawing is revised.	Jacke

THIS IS CAD DRAWING, DO NOT REVISE MANUALLY!!!

Material

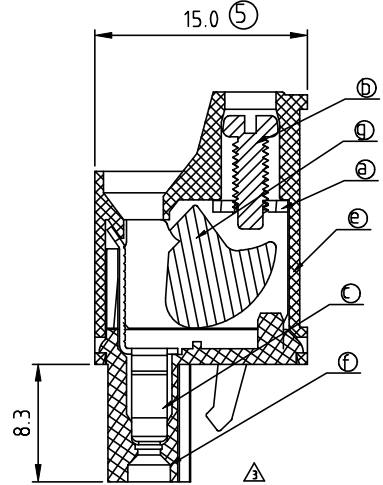
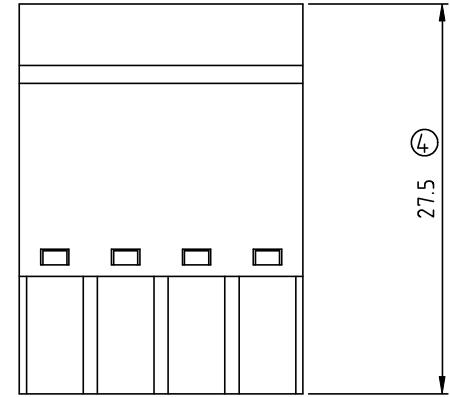
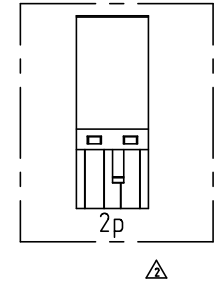
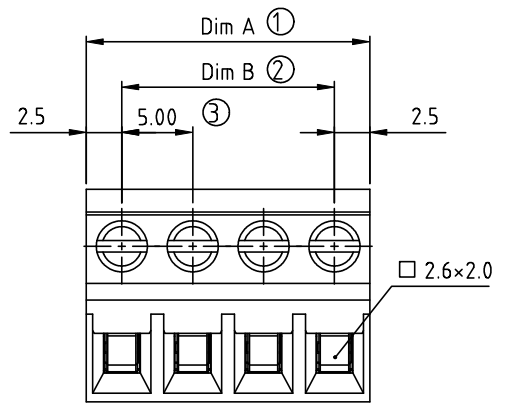
- Item a Clamp: Steel zinc plated.
- Item b Terminal screw: Steel Zinc plating "-" slot type
- Item c Female contact: PhBz Tin plated
- Item d Terminal (Up body): Thermoplastic (UL94V-0)
- Item e Terminal (Down body): Thermoplastic (UL94V-0)
- Item f Clampage: Steel Zinc plated

Electrical cULus/TUV

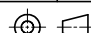
- Voltage rating: 300VAC/300VAC
- Current rating: 20A/20A
- Wire range: 0.34-2.5mm²
- Solid wire(AWG): 12-22
- Stranded wire(AWG): 12-22
- Torque: 3.5Lb-In / 0.4Nm
- Screw: M2.5
- Wire strip length: 8-9mm
- Withstanding Voltage: 1.6KV/2.5KV
- Operating temperature: -40°C to +115°C
- Safety approval:  

VM xx 7 5 x 0 xxxx G

- | | | |
|---------|---------------------|--|
| POLES | Color | G: Pb<40000ppm |
| 02 pole | 0 Black (RAL9005) | 0000: Standard |
| | 2 Red (RAL3001/D) | (Steel screw plating Cr ^{III}) |
| 24 pole | 3 Orange(RAL2011/P) | 000A: "ANYTEK" Mark |
| | 4 Yellow(RAL1018/A) | Any special item by |
| | 5 Green(RAL6018/T) | customer request. |
| | 6 Blue (RAL5015/A) | please contact sales |
| | 8 Grey(RAL7035/D) | department. |



POLE		2	3	4	5	6	7	8	9	10	11	12
A		10.00	15.00	20.00	25.00	30.00	35.00	40.00	45.00	50.00	55.00	60.00
B		5.00	10.00	15.00	20.00	25.00	30.00	35.00	40.00	45.00	50.00	55.00
Tol.		±0.20					±0.25					
POLE	13	14	15	16	17	18	19	20	21	22	23	24
A	65.00	70.00	75.00	80.00	85.00	90.00	95.00	100.00	105.00	110.00	115.00	120.00
B	60.00	65.00	70.00	75.00	80.00	85.00	90.00	95.00	100.00	105.00	110.00	115.00
Tol.		±0.30					±0.40					

ANYTEK				CUSTOMER COPY			
ALL RIGHTS RESERVED. REPRODUCTION OR ISSUE TO THIRD PARTIES IN ANY FORM WHATSOEVER IS NOT PERMITTED WITHOUT WRITTEN AUTHORITY FROM THE PROPRIETOR. PROPERTY OF ANYTEK TECHNOLOGY CO., LTD							
TITLE	VM 5.0mm W/O Flange Series						
PART NO.	VMxx75x0xxxxG			DWG NO.	BVM0001		
APPROVED	CHECKED	DESIGNED	DRAWN	CUST NO.	Tolerance		
		Jacke	Jacke		UNIT: mm	X.X	±0.50
		2010.06.23	2010.06.23		SCALE: NONE	X.XX	±0.30
					REV.: F	X°	±1°
SHEET: 01/01				REV.: F			