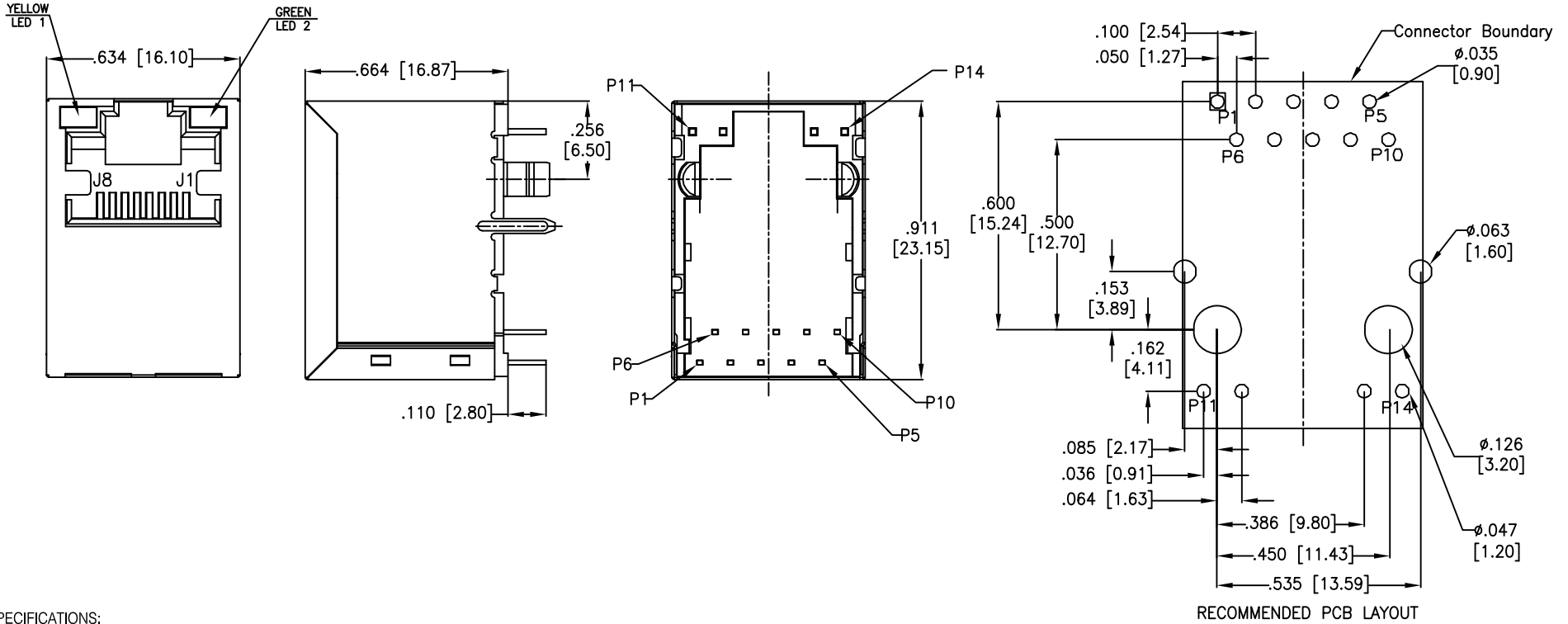


APPROVED: _____
 DATE: _____ TITLE: _____

| Rev | AWO # | Description | Date | Appr |
|-----|-------|-------------|---------|-------|
| - | | RELEASED | 8/15/11 | |
| A | | UPDATE DIM. | 6/3/19 | AY/RC |



RECOMMENDED PCB LAYOUT

SPECIFICATIONS:

Material:
 Insulator: PBT, rated UL 94V-0
 Insulator color: Black
 Contacts: Phosphor Bronze
 Shield: Brass, Nickel plated
 Plating:
 Round contact
 Gold over Nickel underplate overall
 Flat contact
 Gold over Nickel underplate on contact area,
 Tin over Nickel underplate on solder tails
 Electrical:
 Voltage rating: 150 VAC
 Contact Resistance: 20 mohms max
 Insulation resistance: 500 Mohms min
 Dielectric withstanding voltage: 2250 VDC
 Temperature Rating:
 Operating temperature: 0°C to +70°C
 Environmental:
 Lead free, RoHS compliant.



UNLESS OTHERWISE SPECIFIED
 ALL DIMENSIONS ARE INCHES [MM]
 TOLERANCES: EXCEPT AS NOTED
 INCHES HOLES
 .X ± .10 Ø.X ± .10
 .XX ± .020 Ø.XX ± .015
 .XXX ± .015 Ø.XXX ± .010

| APPROVALS | | DATE |
|-----------|----|---------|
| DRAWN | AY | 8/15/11 |
| CHECKED | NP | 8/15/11 |
| APPROVED | | |

ADAM TECH
 INTERCONNECTS
 909 Rahway Avenue,
 Union, NJ 07083
 Phone: 908-687-5000
 Fax: 908-687-5710

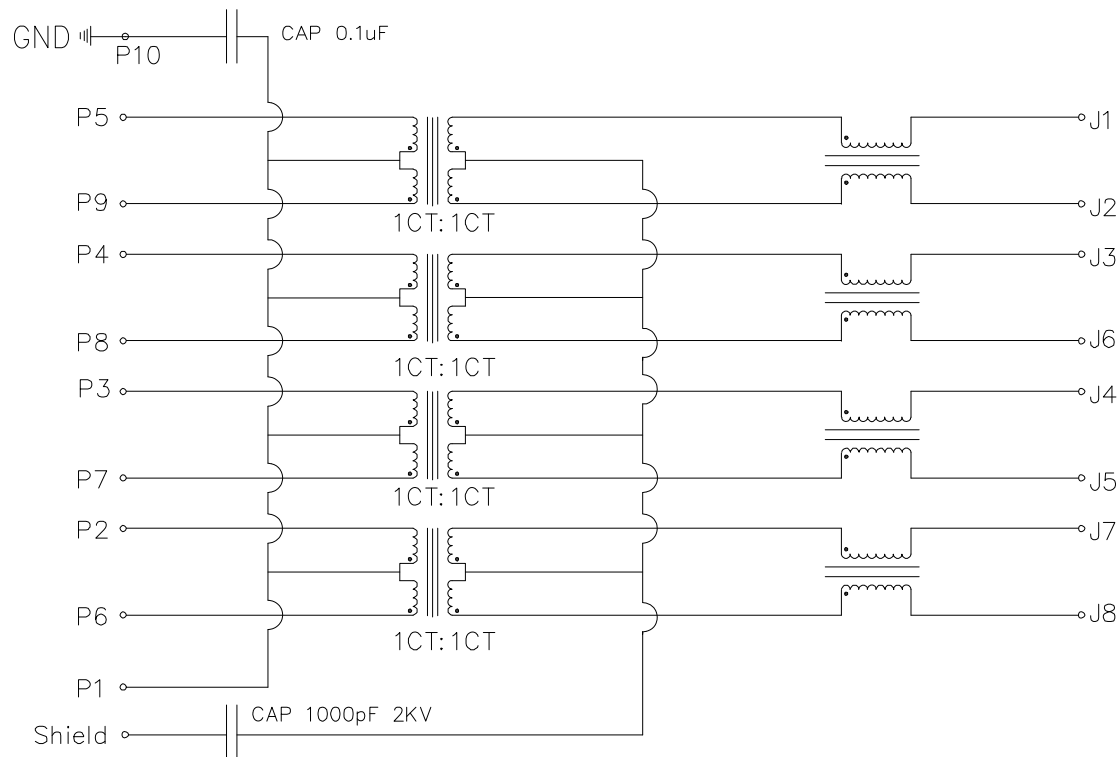
TITLE
 MODULAR JACK GANGED, 1 PORT, 8P8C
 W/LED1 YELLOW, LED2 GREEN

| SIZE | PART NO. | REV. |
|--------------|------------------------|--------------|
| X | MTJ-88TVX1-FSJ-LG-M149 | A |
| REF: S00005C | SCALE: NTS | SHEET 1 OF 2 |

APPROVED: _____

DATE: _____ TITLE: _____

| Rev | AWO # | Description | Date | Appr |
|-----------------------------|-------|-------------|------|------|
| SEE SHT 1 OF 2 FOR REVISION | | | | |



| Pin | Green | Yellow |
|-----|-------|--------|
| P11 | + | P13 + |
| P12 | - | P14 - |

ELECTRICAL CHARACTERISTICS

- Turn Ratio @100KHz: (P5~P9):(J1~J2)=1:1±5%
(P4~P8):(J3~J6)=1:1±5%
(P3~P7):(J4~J5)=1:1±5%
(P2~P6):(J7~J8)=1:1±5%
- Primary Inductance: 350uH Min. @100kHz, 0.1Vrms, 8mA DC BIAS
- DC Resistance: 1.2 Ohms Max.
- Insertion Loss: 1~100MHz : -1.0dB Min.
100~125MHz : -1.2dB Min.
- Return Loss: 1~40MHz: -16dB Max
40~60MHz: -12dB Max
60~80MHz: -10dB Max
80~100MHz: -8dB Max
- Cross Talk: 1~100MHz: -30dB Max.
- Common to Common mode Attenuation: 1~100MHz: -30dB Min.
- Isolation: PHY Side to Line Side : 2250VDC

UNLESS OTHERWISE SPECIFIED
ALL DIMENSIONS ARE INCHES [MM]
TOLERANCES: EXCEPT AS NOTED
INCHES HOLES

| | |
|-------------|-------------|
| .X ± .10 | ∅X ± .10 |
| .XX ± .020 | ∅XX ± .015 |
| .XXX ± .015 | ∅XXX ± .010 |

ADAM TECH
INTERCONNECTS

909 Rahway Avenue,
Union, NJ 07083
Phone: 908-687-5000
Fax: 908-687-5710

TITLE
MODULAR JACK GANGED, 1 PORT, 8P8C
W/LED1 YELLOW, LED2 GREEN

| APPROVALS | | DATE |
|-----------|----|---------|
| DRAWN | AY | 8/15/11 |
| CHECKED | NP | 8/15/11 |
| APPROVED | | |

| | | |
|--------------|------------------------|--------------|
| SIZE | PART NO. | REV. |
| X | MTJ-88TVX1-FSJ-LG-M149 | A |
| REF: S00005C | SCALE: NTS | SHEET 2 OF 2 |