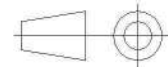
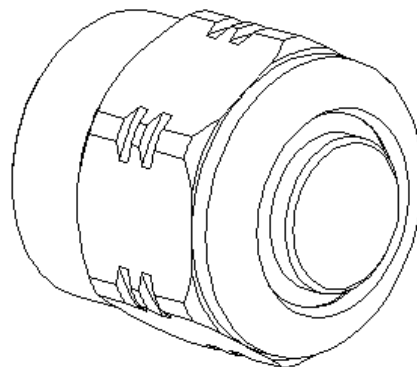
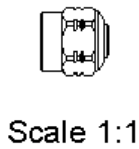
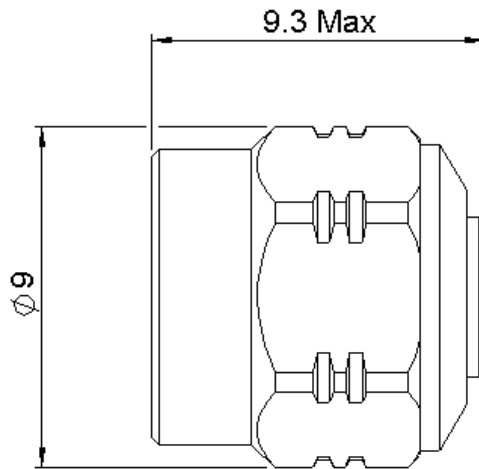


COAXIAL TERMINATION SMA MALE

4 GHZ 1W 50 OHMS

R404.101.019

Series : **TERMINATION**



All dimensions are in mm.

COMPONENTS	MATERIALS	PLATING(μm)
BODY	LAITON	NPGR
CENTER CONTACT	LAITON	NPGR
OUTER CONTACT	LAITON	
INSULATOR	PTFE	
GASKET	SILICONE	
OTHERS PARTS	LAITON	GOLD 0.2 OVER NICKEL 2

Issue : 0907 F

In the effort to improve our products, we reserve the right to make changes judged to be necessary.

COAXIAL TERMINATION SMA MALE

R404.101.019

4 GHZ 1W 50 OHMS

Series : **TERMINATION**

ELECTRICAL CHARACTERISTICS

Frequency (GHz)	DC - 1	1 - 4
V.S.W.R (≤)	1.08	1.20

Operating Frequency Range	DC - 4	GHz
Impedance	50	Ω
Peak power at 25°C (1μs, 1%)	100	W
Average power at 25°C	1	W (Free Air Cooled)
		W (Conduction Cooled)

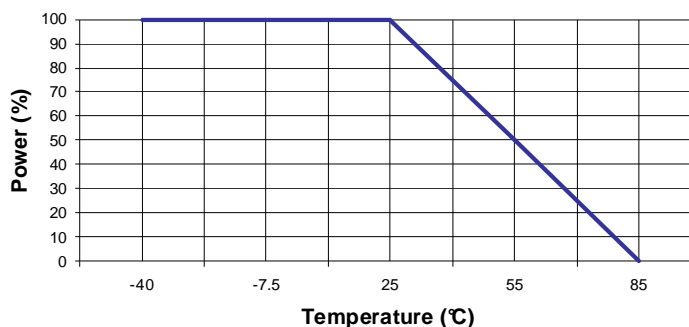
MECHANICAL CHARACTERISTICS

Connectors	SMA	MALE	MIL C39012
Weight	2,1700 g		

ENVIRONMENTAL CHARACTERISTICS

Operating temperature range	-55 /+125 °C
Storage temperature range	-55 /+125 °C

Power derating Versus temperature



SPECIFICATION

OTHER CHARACTERISTICS

Issue : 0907 F

In the effort to improve our products, we reserve the right to make changes judged to be necessary.