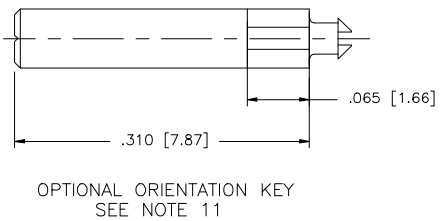
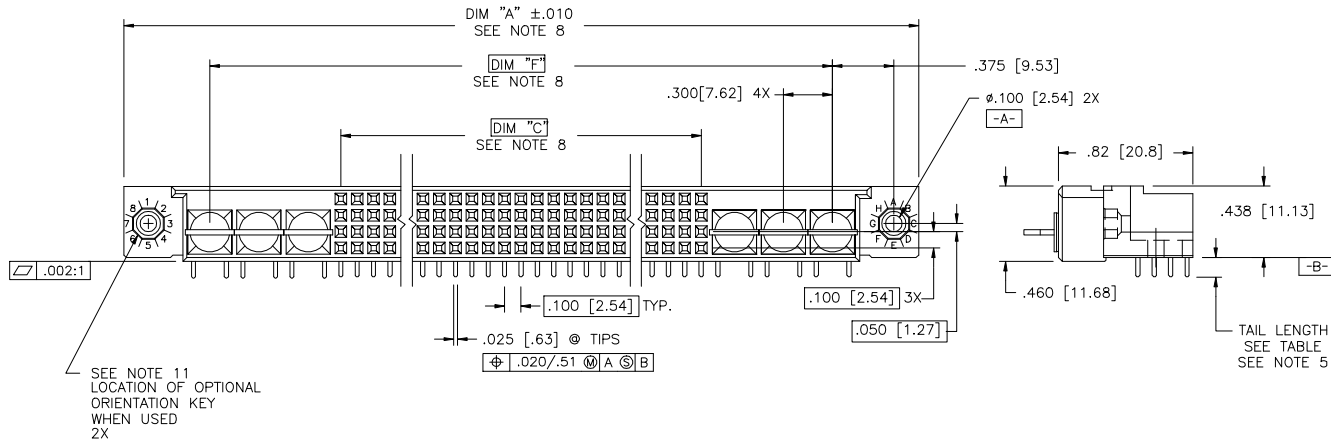
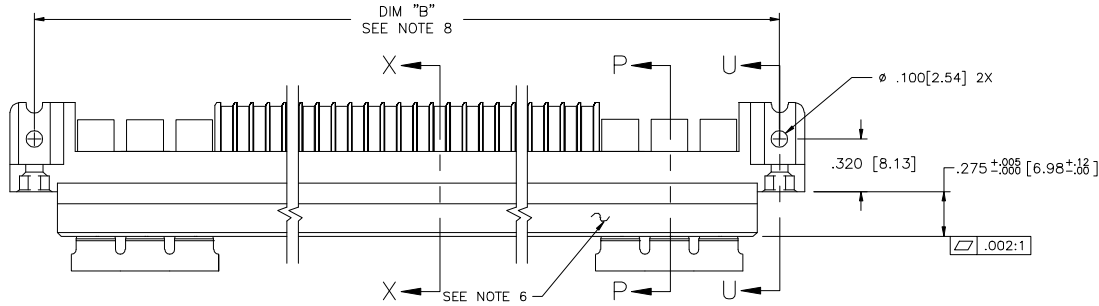


PRODUCT NUMBER  
SEE NOTE 1



mat'l. code		NOTE 3		surface	ISO 1302	tolerance	ISO 406	projection	product family
ltr		ec'n no	dr	date	tolerances unless otherwise specified			INCH/MM	HPC
B	v30297	JM	2/9/93	angles	linear	.XX ±.01/XX±0.3			
C	v40243	PDP	1/13/94			.XXX ±.005/XXX±0.13		scale 1:1	title 4 ROW R/A RECEPTACLE SOLDER TAIL, 0 G.P., 6 P.P.
D	v90135	DLW	4/5/99	σ±2		.XXX ±.0020/XXX±0.051			
E	v00256	LSS	1/13/00	dr	D. SHEAFFER	9/15/92		FCJ	dwg no 50565
F	v05-0737	DAI	9/21/05	engr	S. CLARK	9/15/92			
G	M08-0280	AGS	9/30/08	chr	S. CLARK	9/15/92		type Product Customer Drawing	
				appd	S. CLARK	9/15/92			
sheet	revision	C	C	C					
index	sheet	1	2	3					

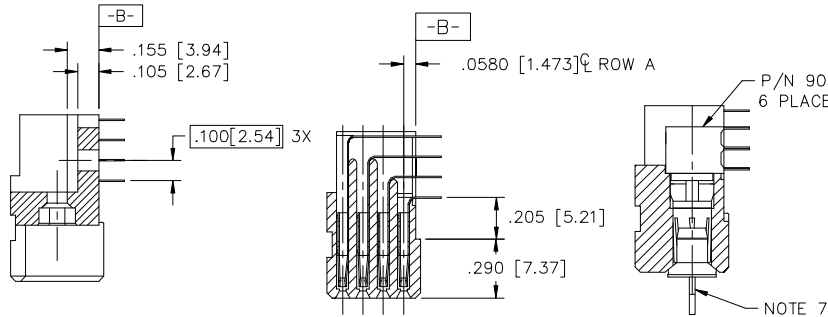
PRODUCT NUMBER  
SEE NOTE 1

NOTES:

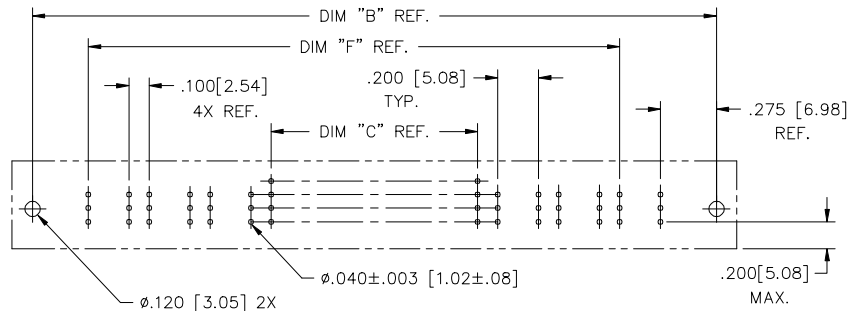
- ①. PRODUCT NUMBERING CODE:  
50565 - X YYY Z LF  
LEAD FREE (OPTIONAL)  
TAIL LENGTH SEE TABLE, SEE NOTE 5  
NO. OF POSITIONS SEE NOTE 2  
PLATING SEE NOTE 4  
BASE NUMBER

- PRODUCT NUMBERING CODE FOR  
SELECT LOAD PART NUMBERS:  
50565 - XYYYY LF  
LEAD FREE (OPTIONAL)  
SEQUENCE NUMBER  
ALWAYS 'XX'  
BASE NUMBER

- ②. THIS PRODUCT IS CONFIGURED IN SIZES OF  
6 THRU 80 COLUMNS IN INCREMENTS OF ONE.  
i.e.: 6,7,8,9.....79,80.
- ③. HOUSING MATERIAL: GLASS AND MINERAL FILLED  
HI-TEMP THERMOPLASTIC, FLAME RETARDANT  
PER UL94V-0 COLOR: BLANK  
CONTACT MATERIAL: BeCu
4. PLATING:  
SEE TABLE FOR CONTACT AREA AND SOLDER TAIL PLATING  
OF SIGNAL LINES.  
POWER CONTACTS ARE PLATED WITH  $30\mu"/.76\mu$  MIN Au OR GXT,  
OR  $50\mu"/1.27\mu$  MIN Ni IN CONTACT AREA AND HAVE THE  
SAME TAIL PLATING AS THE SIGNAL CONTACTS FOR  
CORRESPONDING PRODUCT NUMBER.
5. TAIL LENGTHS: ALL POWER TAILS ARE 1.45/3.68  
SEE TABLE FOR SIGNAL TAIL LENGTHS
- ⑥. MANUFACTURERS NAME, PART NUMBER AND LOT CODE  
TO APPEAR ON THIS SURFACE PER BUS-12-108.
- ⑦. POWER SOCKET LOCATOR (P/N 50233) TO BE REMOVED  
AFTER SOLDERING OPERATION.
- ⑧. LENGTH FORMULAS:  
DIM A =  $100/2.54 \times \text{NO. OF COLUMNS} + 2.55/64.8$   
DIM B =  $100/2.54 \times \text{NO. OF COLUMNS} + 2.250/57.15$   
DIM C =  $100/2.54 \times \text{NO. OF COLUMNS} - .100/2.54$   
DIM F =  $100/2.54 \times \text{NO. OF COLUMNS} + 1.500/38.10$
9. THE PRODUCTS (WITH "LF" SUFFIX) MEET EUROPEAN UNION DIRECTIVES  
AND OTHER COUNTRY REGULATIONS AS DESCRIBED IN GS-22-008.
10. THIS HOUSING WILL WITHSTAND EXPOSURE TO 260° C PEAK  
TEMPERATURE FOR 10-30 SECONDS IN A CONVECTION, INFRA-RED,  
VAPOR PHASE REFLOW OVEN.
- ⑪. WHERE APPLICABLE, THE OPTIONAL ORIENTATION KEYS ARE BAGGED  
SEPERATELY AND INCLUDED IN THE SAME BOX WITH THE  
CONNECTORS.
- ⑫. PLATING OPTION:  
MAY BE EITHER GOLD OR GXT PLATED AT MANUFACTURER'S OPTION.



SECTION U-U      SECTION X-X      SECTION P-P



RECOMMENDED PCB LAYOUT  
(ALL HOLES LOCATED ON .100 [2.54] GRID  
UNLESS OTHERWISE SPECIFIED)

mat'l. code	NOTE 3	surface	ISO 1902	tolerance	ISO 406	projection	product family
ltr	ecp no	dr	date	tolerances unless otherwise specified		 INCH/MM	HPC
G				angles	linear		.XX ±.01/XX±0.3 .XXX ±.005/XXX±0.13 .XXX ±.0020/XXX±0.051
				0±2		scale 1:1	dwg no 50565
		dr	D. SHEAFFER	9/15/92			sheet 2 of 3 size A3
		engr	S. CLARK	9/15/92			type Product Customer Drawing
		chr	S. CLARK	9/15/92			
		appd	S. CLARK	9/15/92			
sheet	revision						
index	sheet						

PRODUCT NUMBER	NUMBER OF POSITIONS SEE NOTE 2	OPTIONAL ORIENTATION KEY SEE NOTE 11	TAIL LENGTH OF SIGNAL TAILS	SOLDER TAIL PLATING	CONTACT AREA PLATING SEE NOTE 4 & 11
50565 -1YYYYE	YYY	-	.125±.010/3.18±0.25	TIN-LEAD	30μ"/0.76μ GOLD
50565 -1YYYYF	YYY	-	.145±.010/3.68±0.25	TIN-LEAD	30μ"/0.76μ GOLD
50565 -1YYYYH	YYY	-	.180±.010/4.57±0.25	TIN-LEAD	30μ"/0.76μ GOLD
50565 -3YYYYE	YYY	-	.125±.010/3.18±0.25	TIN-LEAD	50μ"/1.27μ GOLD
50565 -3YYYYF	YYY	-	.145±.010/3.68±0.25	TIN-LEAD	50μ"/1.27μ GOLD
50565 -3YYYYH	YYY	-	.180±.010/4.57±0.25	TIN-LEAD	50μ"/1.27μ GOLD
50565 -5YYYYE	YYY	-	.125±.010/3.18±0.25	TIN-LEAD	30μ"/0.76μ GXT
50565 -5YYYYELF	YYY	-	.125±.010/3.18±0.25	TIN	30μ"/0.76μ GXT
50565 -5YYYYF	YYY	-	.145±.010/3.68±0.25	TIN-LEAD	30μ"/0.76μ GXT
50565 -5YYYYFLF	YYY	-	.145±.010/3.68±0.25	TIN	30μ"/0.76μ GXT
50565 -5YYYYH	YYY	-	.180±.010/4.57±0.25	TIN-LEAD	30μ"/0.76μ GXT
50565 -5YYYYHLF	YYY	-	.180±.010/4.57±0.25	TIN	30μ"/0.76μ GXT
50565 -XX006	60	YES	.125±.010/3.18±0.25	TIN-LEAD	30μ"/0.76μ GOLD
50565 -XX006LF	60	YES	.125±.010/3.18±0.25	TIN	30μ"/0.76μ GXT
50565 -XX006A	60	-	.125±.010/3.18±0.25	TIN-LEAD	30μ"/0.76μ GOLD
50565 -XX006ALF	60	-	.125±.010/3.18±0.25	TIN	30μ"/0.76μ GXT
50565 -XX007	60	YES	.125±.010/3.18±0.25	TIN-LEAD	30μ"/0.76μ GOLD
50565 -XX007LF	60	YES	.125±.010/3.18±0.25	TIN	30μ"/0.76μ GXT
50565 -XX007A	60	-	.125±.010/3.18±0.25	TIN-LEAD	30μ"/0.76μ GOLD
50565 -XX007ALF	60	-	.125±.010/3.18±0.25	TIN	30μ"/0.76μ GXT



FCJconnect.com

Copyright FCJ

mat'l. code NOTE 3				surface ISO 1302	tolerance ISO 406 ISO 1101	projection 	product family HPC
ltr	ecn no	dr	date	tolerances unless otherwise specified			title 4 ROW R/A RECEPTACLE SOLDER TAIL, 0 G.P., 6 P.P.
G				angles	linear		
				0±2'	.XX ±.01/XX±0.3 .XXX ±.005/XXX±0.13 XXXX ±.0020/XXX±0.051	scale 1:1	
		dr	D. SHEAFFER	9/15/92			dwg no
		engr	S. CLARK	9/15/92			sheet 3 of 3
		chr	S. CLARK	9/15/92			size
		appd	S. CLARK	9/15/92			A3
sheet index	revision sheet						type Product Customer Drawing

form A3 1 2 3 4 5 6