



**Generation Y Connector System**

TE Internal #: 2098067-2

Housing for Female Terminals, Wire-to-Board / Wire-to-Device, 27  
Position, Generation Y Connector System

[View on TE.com >](#)

Connectors > Automotive Connectors > Automotive Housings



Connector & Housing Type: **Housing for Female Terminals**

Mating Tab Width: **.64 mm, 2.8 mm [ .025 in, .11 in ]**

Connector System: **Wire-to-Board, Wire-to-Device**

Number of Positions: **27**

Centerline (Pitch): **2.54 mm, 4.6 mm [ .1 in, .181 in ]**

**Features**

**Product Type Features**

Connector Shape	Rectangular
Connector & Housing Type	Housing for Female Terminals
Connector System	Wire-to-Board, Wire-to-Device
Sealable	No
Hybrid Connector	Yes
Primary Locking Feature	Integrated in Housing

**Configuration Features**

Blank Cavity Position	10, 11, 9
Number of Positions	27
Number of Rows	5

**Body Features**

Cable Exit Angle	180°
Primary Product Color	Blue
Connector & Keying Code	IP2



### Contact Features

Contact Size	.64mm, 2.8mm
Contact Type	Receptacle
Mating Tab Width	.64 mm, 2.8 mm [.025 in][.11 in]

### Mechanical Attachment

Terminal Position Assurance	Yes
Strain Relief	Without
Mating Alignment Type	Keyed
Mating Alignment	With
Connector Mounting Type	Cable Mount (Free-Hanging)

### Housing Features

Housing Material	PBT GF
Centerline (Pitch)	2.54 mm, 4.6 mm [.1 in][.181 in]

### Dimensions

Connector Height	31.3 mm [1.232 in]
Product Width	20.3 mm [.799 in]
Product Length	25.2 mm [.992 in]
Row-to-Row Spacing	6 mm [.236 in]

### Usage Conditions

Operating Temperature (Max)	70 °C, 75 °C, 80 °C, 85 °C [158 °F][167 °F] [176 °F][185 °F]
Operating Temperature Range	-40 – 85 °C [-40 – 185 °F]

### Operation/Application

Circuit Application	Signal
---------------------	--------

### Industry Standards

Agency/Standard	GMW191
-----------------	--------

### Packaging Features

Packaging Quantity	1
Packaging Method	Package

### Other

Serviceable	Yes
Connector Position Assurance Capable	No



## Product Compliance

[For compliance documentation, visit the product page on TE.com>](#)

EU RoHS Directive 2011/65/EU	Compliant
EU ELV Directive 2000/53/EC	Compliant
China RoHS 2 Directive MIIT Order No 32, 2016	No Restricted Materials Above Threshold
EU REACH Regulation (EC) No. 1907/2006	Current ECHA Candidate List: JUNE 2023 (235) Candidate List Declared Against: JAN 2022 (223) Does not contain REACH SVHC
Halogen Content	Not Yet Reviewed for halogen content
Solder Process Capability	Not applicable for solder process capability

### Product Compliance Disclaimer

This information is provided based on reasonable inquiry of our suppliers and represents our current actual knowledge based on the information they provided. This information is subject to change. The part numbers that TE has identified as EU RoHS compliant have a maximum concentration of 0.1% by weight in homogenous materials for lead, hexavalent chromium, mercury, PBB, PBDE, DBP, BBP, DEHP, DIBP, and 0.01% for cadmium, or qualify for an exemption to these limits as defined in the Annexes of Directive 2011/65/EU (RoHS2). Finished electrical and electronic equipment products will be CE marked as required by Directive 2011/65/EU. Components may not be CE marked. Additionally, the part numbers that TE has identified as EU ELV compliant have a maximum concentration of 0.1% by weight in homogenous materials for lead, hexavalent chromium, and mercury, and 0.01% for cadmium, or qualify for an exemption to these limits as defined in the Annexes of Directive 2000/53/EC (ELV). Regarding the REACH Regulation, the information TE provides on SVHC in articles for this part number is based on the latest European Chemicals Agency (ECHA) 'Guidance on requirements for substances in articles' posted at this URL: <https://echa.europa.eu/guidance-documents/guidance-on-reach>

## Compatible Parts



Also in the Series | [Generation Y Connector System](#)



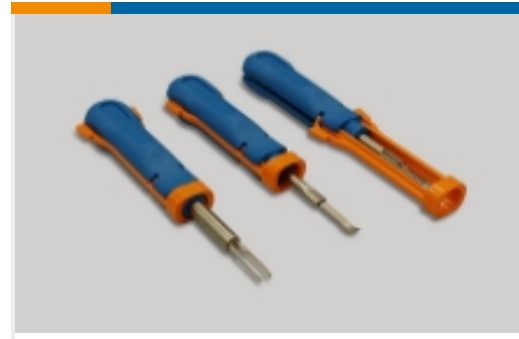
Automotive Connector Caps & Covers (17)



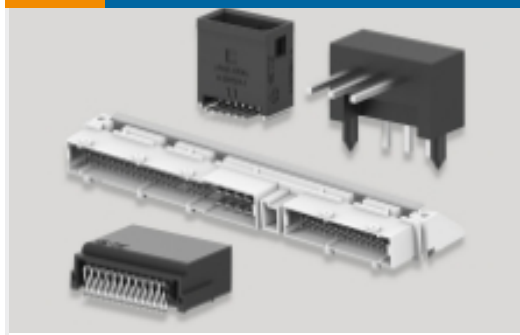
Automotive Housings(155)



Automotive Terminals(39)

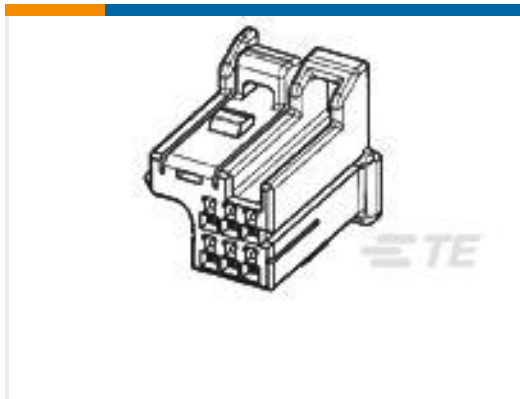


Insertion & Extraction Tools(1)



PCB Headers & Receptacles(15)

## Customers Also Bought



TE Part #1318825-7  
AIR BAG PLUG ASSY 6P



TE Part #2272431-2  
1X6 GET UNSLD SIDE LATCH PLUG, KEY B



TE Part #3-2308295-1  
1POS,PCON12,REC HSG,90 DEG, UNSLD,COD C



TE Part #1924396-1  
14P MCON 1.2 SCCM Inner Housing



TE Part #2098067-7  
Plug Assembly, Hybrid, BCM, CL, G Key



TE Part #2098067-4  
Plug Assembly, Hybrid, BCM, U2, D Key



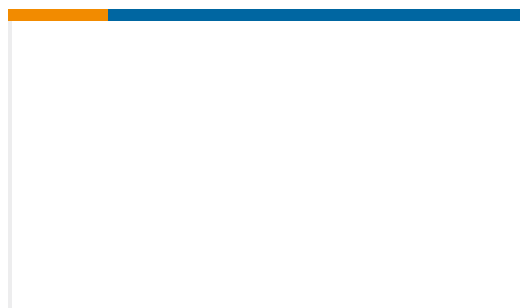
TE Part #2098380-2  
20 POS HYBRID UNSEALED CAP KY-B STD CLIP



TE Part #2133662-1  
REC CONN CVR ASSY,64POS,MQS



TE Part #D58196-000  
FL2500-NO.2-I9-0-50MM



TE Part #2819105-1  
HSG FEMALE ASSY 64 WAYS

## Documents



### Product Drawings

[Plug Assembly, Hybrid, BCM, IP2, B Key](#)

English

[Plug Assembly, Hybrid, BCM, IP2, B Key](#)

English

---

### CAD Files

[3D PDF](#)

3D

Customer View Model

[ENG\\_CVM\\_CVM\\_2098067-2\\_D\\_c-2098067-2-d.2d\\_dxf.zip](#)

English

Customer View Model

[ENG\\_CVM\\_CVM\\_2098067-2\\_D\\_c-2098067-2-d.3d\\_igs.zip](#)

English

Customer View Model

[ENG\\_CVM\\_CVM\\_2098067-2\\_D\\_c-2098067-2-d.3d\\_stp.zip](#)

English

By downloading the CAD file I accept and agree to the [Terms and Conditions](#) of use.

---

### Instruction Sheets

[Instruction Sheet \(U.S.\)](#)

English