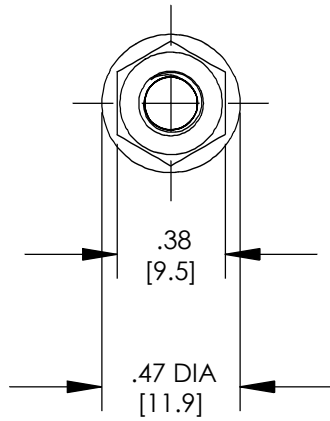


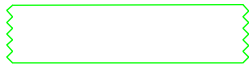
NOTES:

1. BONDING GROUNDING NUTS
PART NUMBER: BGN-C
BGN1032-C
BGNM6-C
BGNM5-C
2. DIMENSIONS IN PARENTHESIS ARE MILLIMETERS.
3. ALL COMPONENTS THAT MAKE UP THIS KIT ARE RoHS COMPLIANT.



BONDING NUT (QTY. 100)

PART NUMBER	BONDING NUT SIZE	QTY.
BGN-C	#12-24	100
BGN1032-C	#10-32	100
BGNM6-C	M6	100
BGNM5-C	M5	100



5cc TUBE ANTI-OXIDANT PASTE (QTY. 1)

C41701_00

PANDUIT CORP. TINLEY PARK, ILLINOIS

BONDING GROUNDING NUTS
(BGN-C, BGN1032-C, BGNM6-C, BGNM5-C)
CUSTOMER DRAWING

REV	DATE	BY	CHK	DESCRIPTION	ECN	PM	CUST	DRAWN BY	CHK'D	SCALE	DRAWING NO / CAD FILE
00	2/07	JHNU	JMAR	DRAWING RELEASED	PC00674			JHNU		NONE	C41701