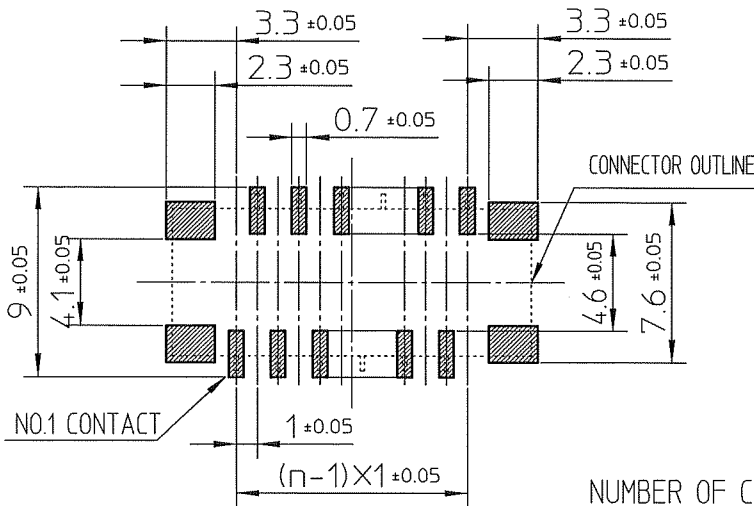


PT. NO.	PARTS NAME	MATERIAL	Q'TY	NOTE
1	HOUSING	GLASS FILLED THERMOPLASTIC RATED.(UL94V-0)	1	COLOR:BRACK
2	CONTACT	PHOSPHOR BRONZE	n	PLATING:TIN(LEAD FREE)
3	MOUNTING PLATE	BRASS	2	PLATING:TIN(LEAD FREE)

RECOMMENDED PC BOARD LAYOUT
(COMPONENT SIDE)



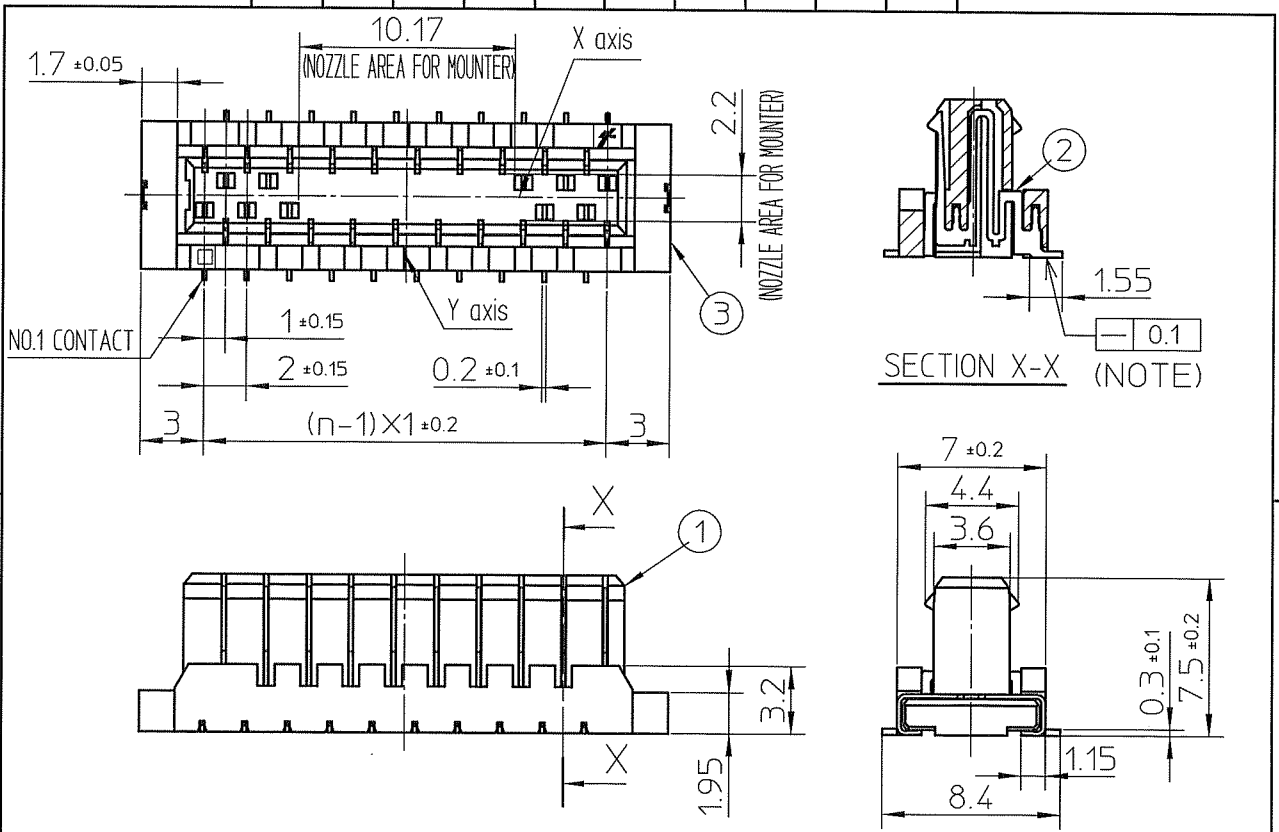
n:NO. OF CONTACTS

NOTE

- 1.This connector is symmetric for X,Y axis. As a result, It is possible to locate in emboss cavity even if rotated condition.
- 2.Flatness for contact terminal and mounting plate must be within 0.1.
- 3.This product meets European Union Directives and other country regulations as described in GS-22-008.

NUMBER OF CONTACTS : 10 TO 16 , ONLY EVEN POS.

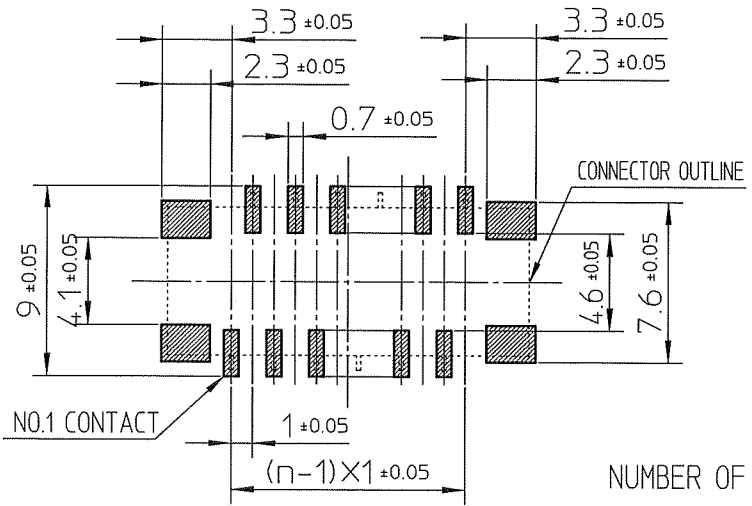
mat'l. code		surface ISO 1302 ✓		tolerance ISO 406 ISO 1101		projection		product family 590F		
ltr	ecn no	dr	date	tolerances unless otherwise specified				title FLOATING BOARD TO BOARD PLUG CONNECTOR (LEAD FREE) (CAT.No. BTFW_P-3SSTLF)		
A	J06-0146	M.K	Apr.11,'06	angles	linear					± 0.3
B	J07-0021	M.K	Jan.15,'07			scale		dwg no JSA 96633		
				dr	K.Higuchi	Jan.15,'07			sheet 1 of 2	
				engr	M.Koga	Jan.15,'07			size A4	
				chr	K.Higuchi	Jan.15,'07			type Product Customer Drawing	
				appd	M.Koga	Jan.15,'07				
sheet index	revision sheet	B	B					Rev B		



PT. NO.	PARTS NAME	MATERIAL	Q'TY	NOTE
1	HOUSING	GLASS FILLED THERMOPLASTIC RATED.(UL94V-0)	1	COLOR:BRACK
2	CONTACT	PHOSPHOR BRONZE	n	PLATING:TINLEAD FREE)
3	MOUNTING PLATE	BRASS	2	PLATING:TINLEAD FREE)

RECOMMENDED PC BOARD LAYOUT
(COMPONENT SIDE)

n:NO. OF CONTACTS



NOTE
 1.This connector is symmetric for X,Y axis. As a result, It is possible to locate in emboss cavity even if rotated condition.
 2.Flatness for contact terminal and mounting plate must be within 0.1.
 3.This product meets European Union Directives and other country regulations as described in GS-22-008.

NUMBER OF CONTACTS : 18 TO 30 , ONLY EVEN POS.

mat'l. code		surface ISO 1302 ✓		tolerance ISO 406 ISO 1101		projection 		product family 590F	
ltr	ecn no	dr	date	tolerances unless otherwise specified		title FLOATING BOARD TO BOARD PLUG CONNECTOR (LEAD FREE) (CAT.No. BTFW_P-3SSTLF)			
A	J06-0146	M.K	Apr.11,'06	angles	linear	± 0.3			
B	J07-0021	M.K	Jan.15,'07						
		dr	K.Higuchi		Jan.15,'07		dwg no		sheet 2 of 2
		enr	M.Koga		Jan.15,'07		JSA 96633		A4
		chr	K.Higuchi		Jan.15,'07		type		Product Customer Drawing
		appd	M.Koga		Jan.15,'07				
sheet index	revision sheet	B	B					Rev	B



FCIconnect.com

Copyright FCI