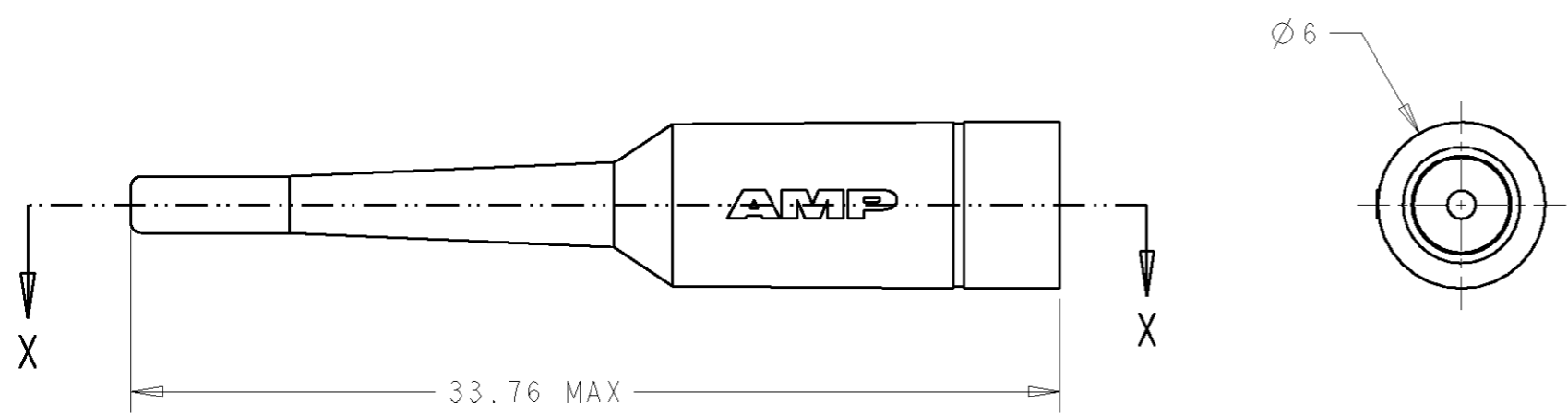
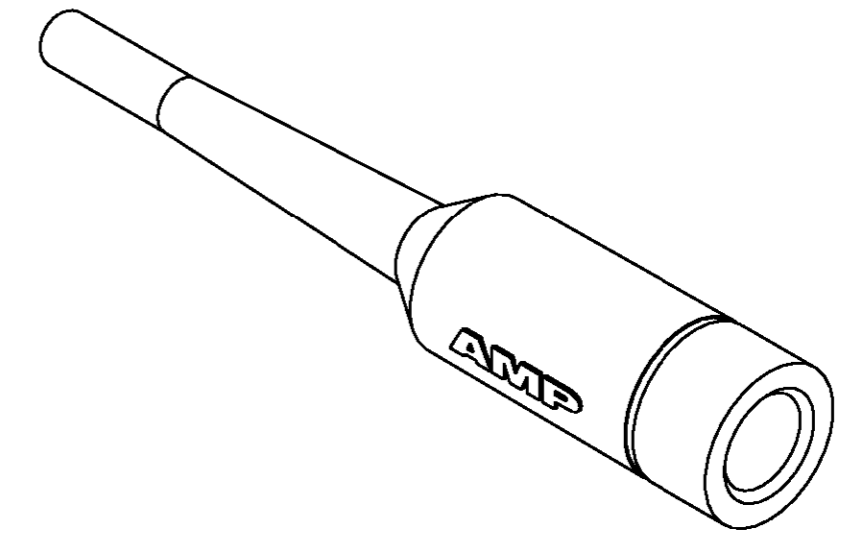
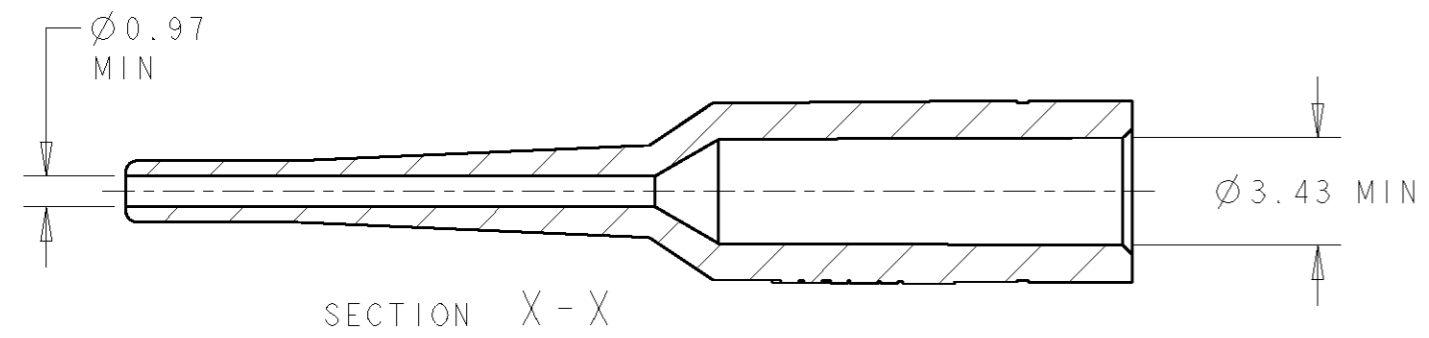


THIS DRAWING IS UNPUBLISHED. RELEASED FOR PUBLICATION 20  
 © COPYRIGHT 20 BY TYCO ELECTRONICS CORPORATION. ALL RIGHTS RESERVED.

LOC	DIST	REVISIONS					
CE	00	P	LTR	DESCRIPTION	DATE	DWN	APVD
			W	REV PER 0A00-0067-03	11FEB03	DDE	LS
			Y	REV PER 0A00-0589-03	10MAY04	KG	SB
			Z	REVISE PER 0A00-0051-05	15FEB2005	BB	SB



RED	2-503628-3
BLUE	503628-8
BLACK	503628-1
COLOR	PART NUMBER

⚠ MATERIAL: TPE, UL94 V-0 RATED AT QUALIFYING THICKNESS. SEE DASH NUMBERS FOR COLOR.

<small>THIS DRAWING IS A CONTROLLED DOCUMENT FOR TYCO ELECTRONICS CORPORATION. IT IS SUBJECT TO CHANGE AND THE CONTROLLING ENGINEERING ORGANIZATION SHOULD BE CONTACTED FOR THE LATEST REVISION.</small>		DWN D ERDMAN 31AUG94 CHR J MCKEE 31AUG94 APVD J MACKEF 31AUG94		<b>AMP</b> Tyco Electronics Harrisburg, PA 17105-3608	
DIMENSIONS: mm		TOLERANCES UNLESS OTHERWISE SPECIFIED: 0 PLC ±- 1 PLC ±- 2 PLC ±0.15 3 PLC ±- 4 PLC ±- ANGLES ±-		NAME BOOT, BARE BUFFER	
MATERIAL ⚠ -		FINISH -		PRODUCT SPEC - APPLICATION SPEC - WEIGHT -	
CUSTOMER DRAWING		SIZE A3 CAGE CODE 00779 DRAWING NO C-503628		RESTRICTED TO -	
		SCALE 4:1		SHEET 1 OF 1 REV Z	