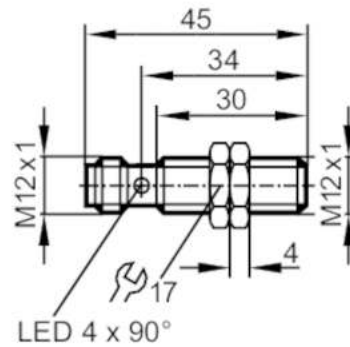


IFS206



Inductive sensor

IFB3004BAPKG/US-104



Product characteristics

Electrical design		PNP
Output function		normally closed
Sensing range	[mm]	4
Housing		threaded type
Dimensions	[mm]	M12 x 1 / L = 45

Application

Special feature		Gold-plated contacts; Increased sensing range
Application		Industrial applications / factory automation

Electrical data

Operating voltage	[V]	10...30 DC
Current consumption	[mA]	< 10
Protection class		II
Reverse polarity protection		yes

Outputs

Electrical design		PNP
Output function		normally closed
Max. voltage drop switching output DC	[V]	2.5
Permanent current rating of switching output DC	[mA]	100
Switching frequency DC	[Hz]	700
Short-circuit protection		yes
Overload protection		yes

Detection zone

Sensing range	[mm]	4
Real sensing range Sr	[mm]	4 ± 10 %
Operating distance	[mm]	0...3.25
Increased sensing range		yes

Accuracy / deviations

Correction factor		steel: 1 / stainless steel: 0.7 / brass: 0.5 / aluminium: 0.4 / copper: 0.3
Hysteresis	[% of Sr]	3...15

IFS206



Inductive sensor

IFB3004BAPKG/US-104

Switch point drift	[% of Sr]	-10...10
--------------------	-----------	----------

Operating conditions

Ambient temperature	[°C]	-25...70
Protection		IP 67

Tests / approvals

EMC	EN 61000-4-2 ESD	4 kV CD / 8 kV AD
	EN 61000-4-3 HF radiated	10 V/m
	EN 61000-4-4 Burst	2 kV
	EN 61000-4-6 HF conducted	10 V
	EN 55011	class B
MTTF	[years]	1528
Embedded software included		yes
UL approval	Ta	0...40 °C
	Enclosure type	Type 1
	power supply	Hazardous voltage
	UL Approval no.	A003
	File number UL	E174191

Mechanical data

Weight	[g]	26
Housing		threaded type
Mounting		flush mountable
Dimensions	[mm]	M12 x 1 / L = 45
Thread designation		M12 x 1
Materials		brass white bronze coated; sensing face: PBT orange; LED window: PEI; lock nuts: brass white bronze coated

Displays / operating elements

Display	switching status	4 x LED, yellow
---------	------------------	-----------------

Accessories

Items supplied		lock nuts: 2
----------------	--	--------------

Remarks

Pack quantity		1 pcs.
---------------	--	--------

Electrical connection - plug

Connector: 1 x M12; coding: A; Contacts: gold-plated



IFS206



Inductive sensor

IFB3004BAPKG/US-104

Connection

