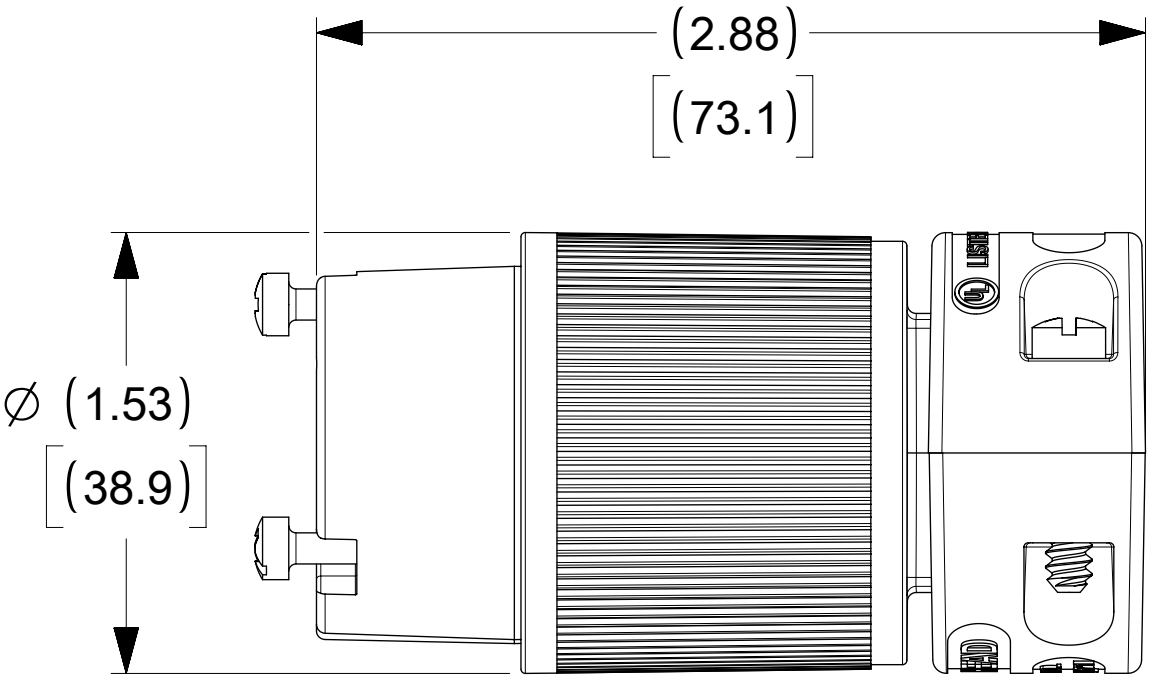
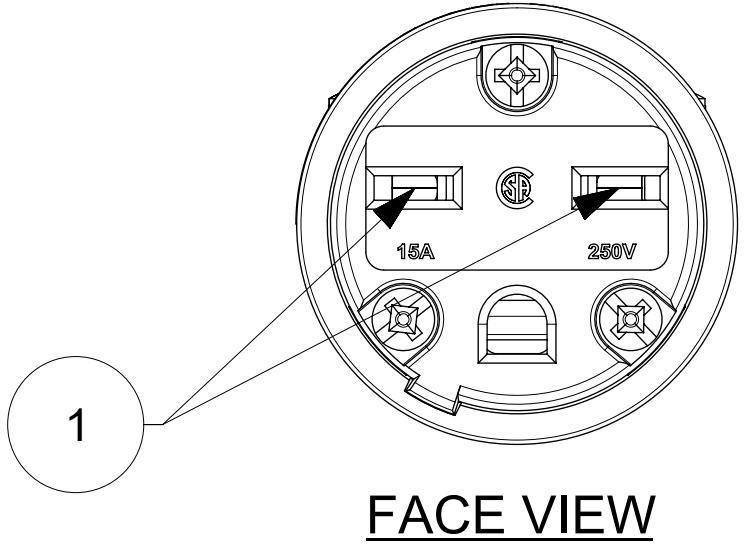
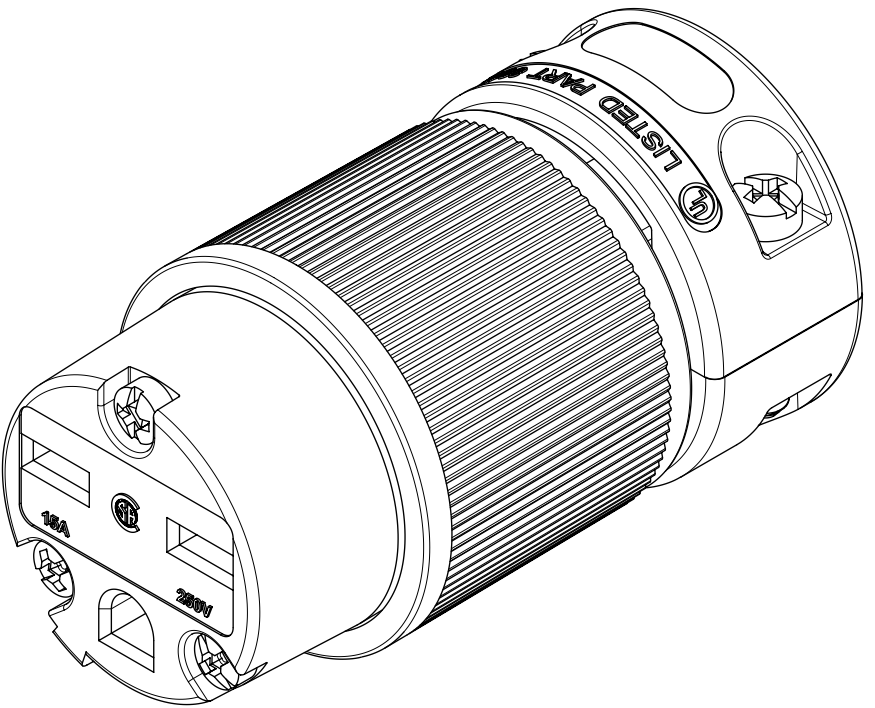
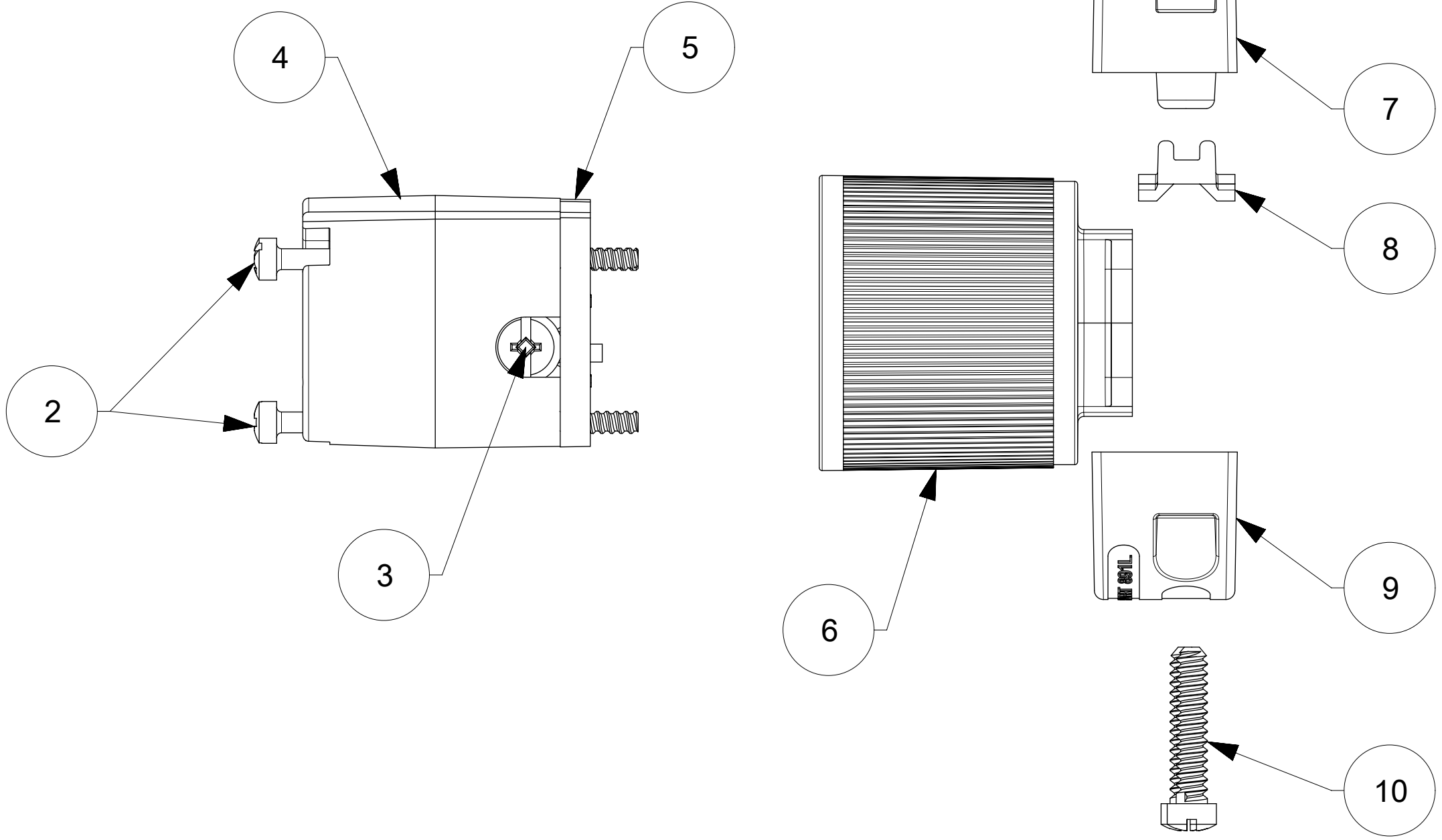
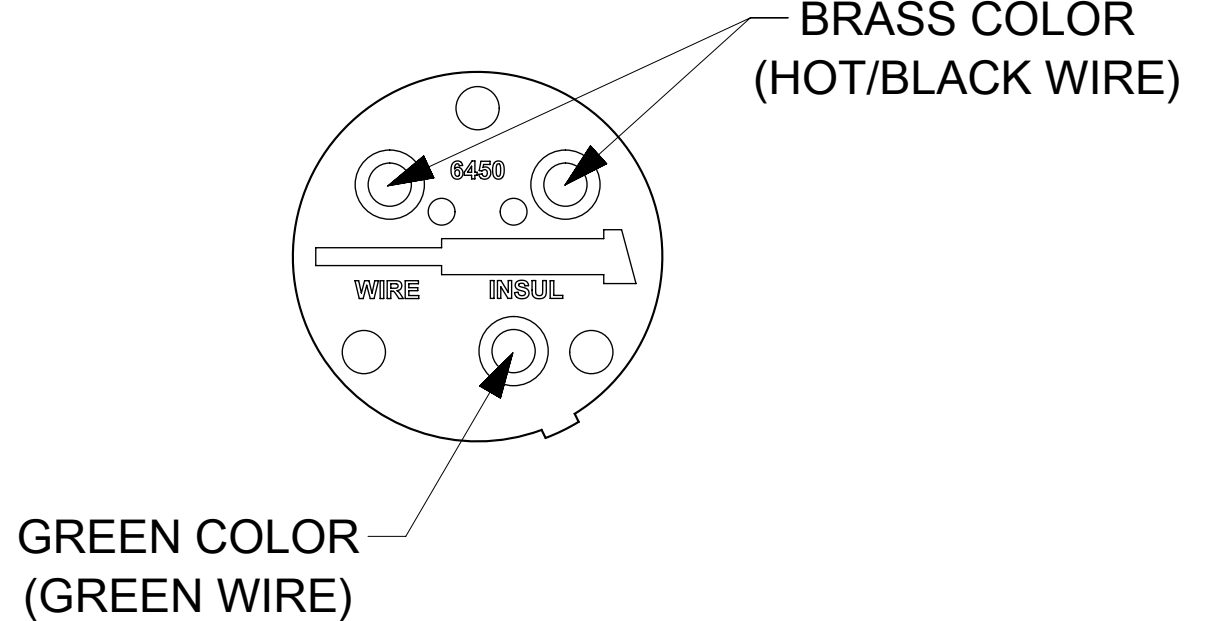


| | | |
|-------------|--------------|-------|
| ORDER NO. | WOODHEAD NO. | COLOR |
| 130144-0067 | 5669 | BLACK |



WIRING TERMINATION



| ITEM NO. | DESCRIPTIONS | MATERIAL | QTY. |
|----------|--------------------------------|--------------------|------|
| 1 | BLADES | BRASS | 3 |
| 2 | RETAINING SCREWS | STAINLESS STEEL | 3 |
| 3 | TERMINAL SCREWS/CLAMP ASSEMBLY | BRASS, ZINC PLATED | 3 |
| 4 | INSERT | NYLON | 1 |
| 5 | TERMINAL COVER | POLYCARBONATE | 1 |
| 6 | HOUSING | NYLON | 1 |
| 7 | CLAMP CORD MALE | NYLON | 1 |
| 8 | CLAMP CORD INSERT | NYLON | 1 |
| 9 | CLAMP CORD FEMALE | NYLON | 1 |
| 10 | RETAINING SCREWS | STEEL, ZINC PLATED | 2 |

| | | | |
|---|--|---|--|
| SYMBOLS DIMENSION UNITS: INCH[MM] SCALE: NTS CURRENT REV DESC: NEW RELEASE | | molex SAFEWAY CONNECTOR 2P3W 6-15 | |
| GENERAL TOLERANCES (UNLESS SPECIFIED) 4 PLACES: ± 3 PLACES: ± 2 PLACES: ± 1 PLACE: ± 0 PLACES: ± | | EC NO: 621092 DRWN: VBASUTHKARP 2019/02/07 CHK'D: DNGUYEN62 2019/10/30 APPR: HKNEELAND 2020/02/05 | |
| INITIAL REVISION: DRWN: VBASUTHKARP 2019/02/07 APPR: HKNEELAND 2020/02/05 | | PRODUCT CUSTOMER DRAWING DOCUMENT NUMBER: 1301440067 DOC TYPE: PSD DOC PART: 000 REVISION: A | |
| DRAFT WHERE APPLICABLE MUST REMAIN WITHIN DIMENSIONS | | THIRD ANGLE PROJECTION DRAWING SERIES: C-SIZE 130144 MATERIAL NUMBER: SEE TABLE CUSTOMER: GENERAL MARKET SHEET NUMBER: 1 OF 1 | |