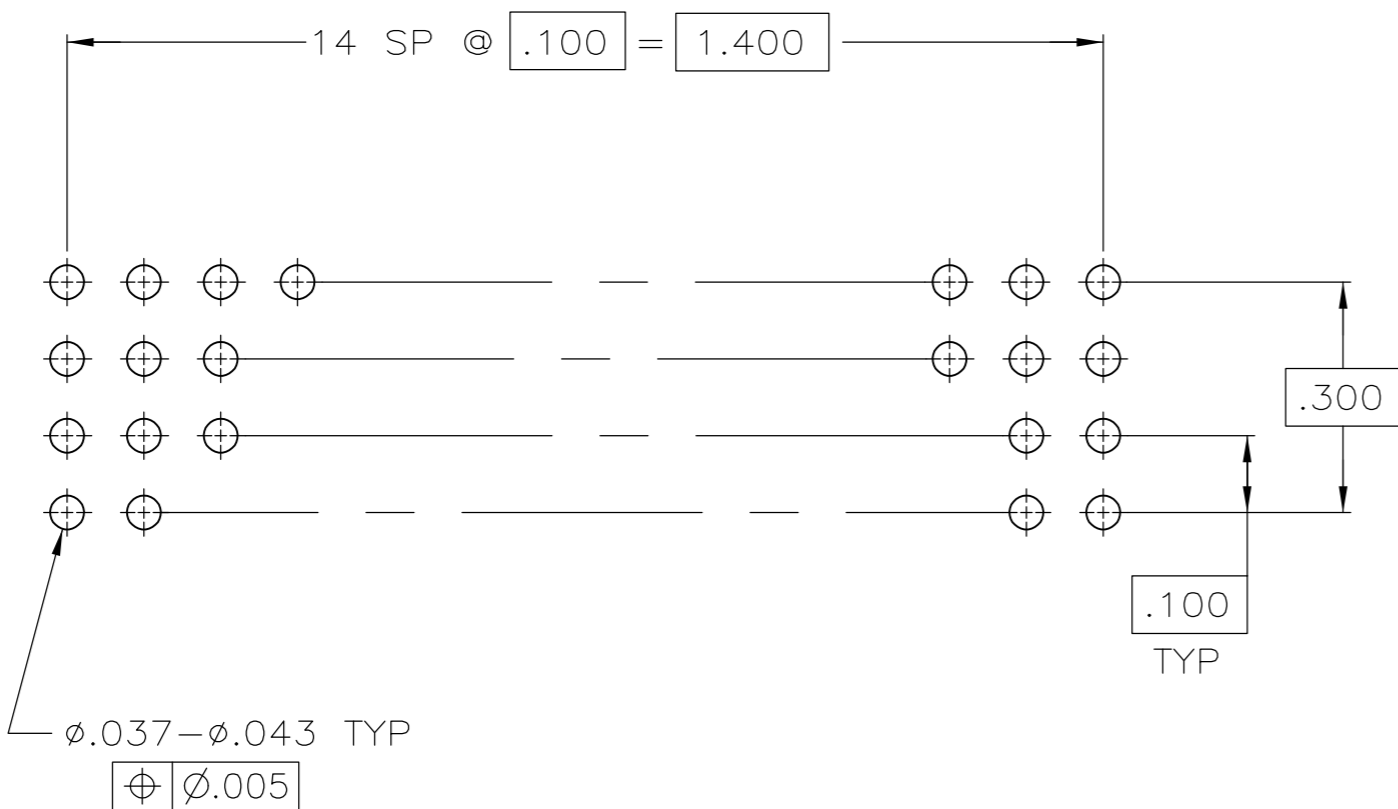
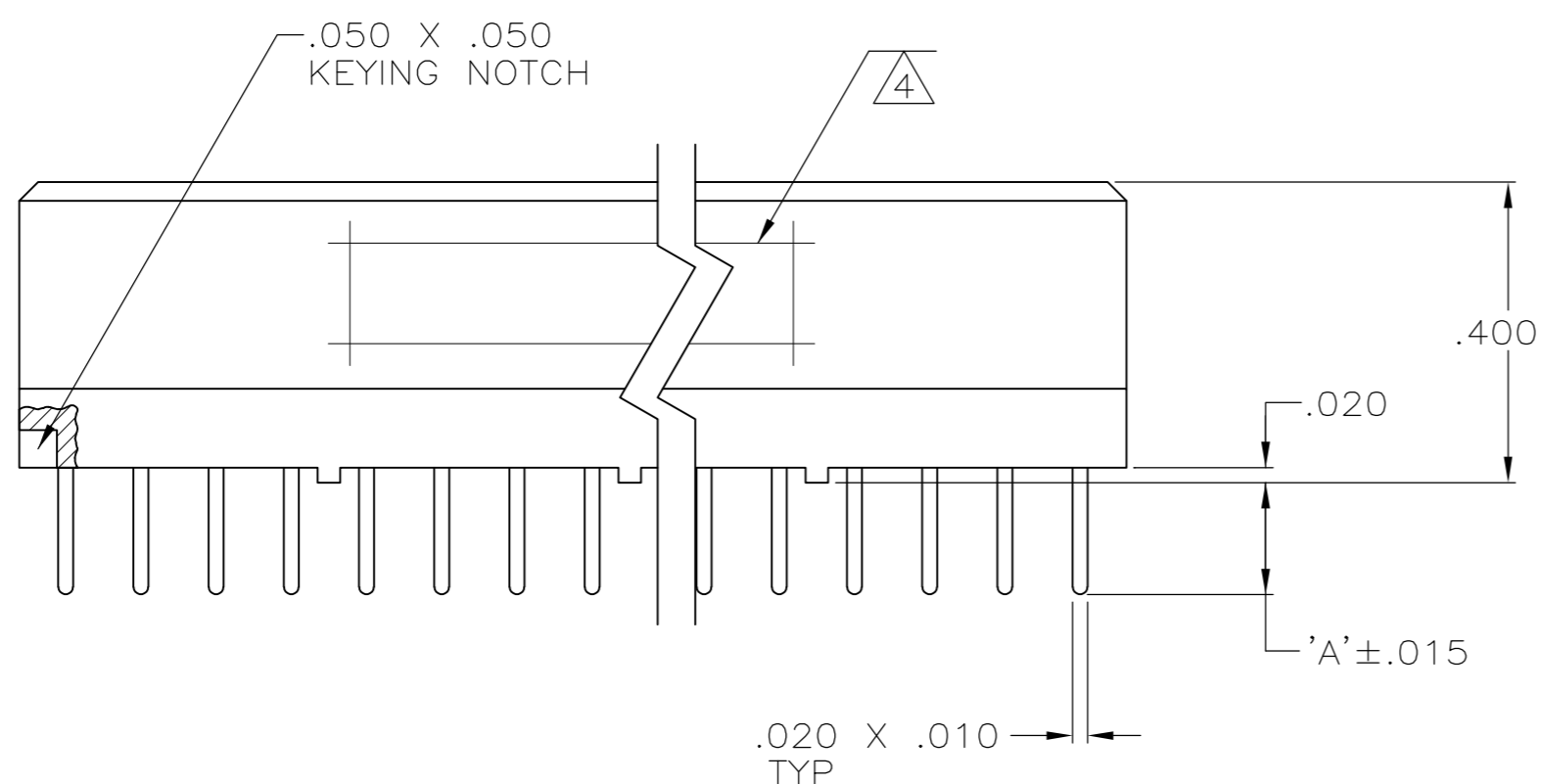
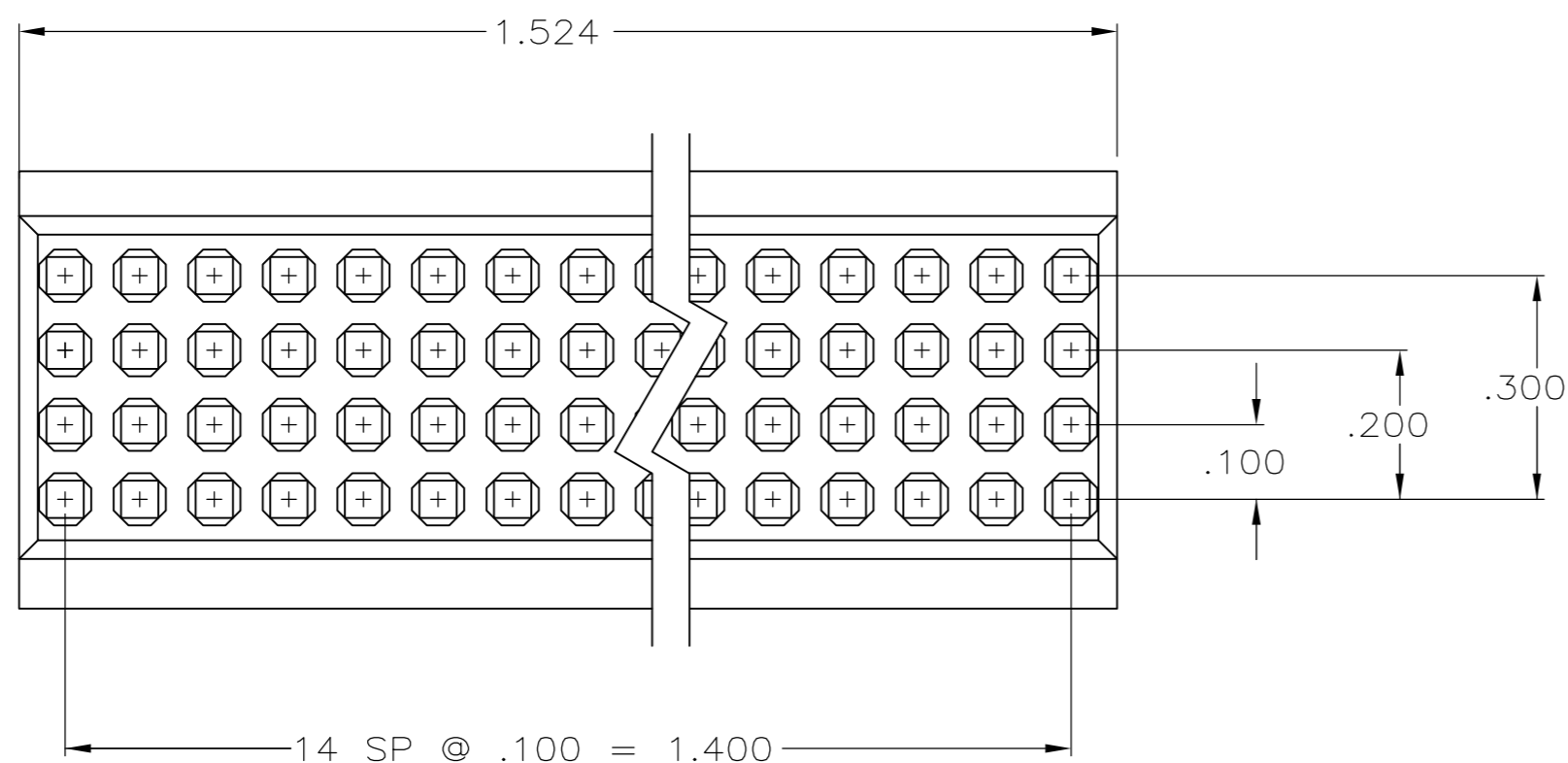


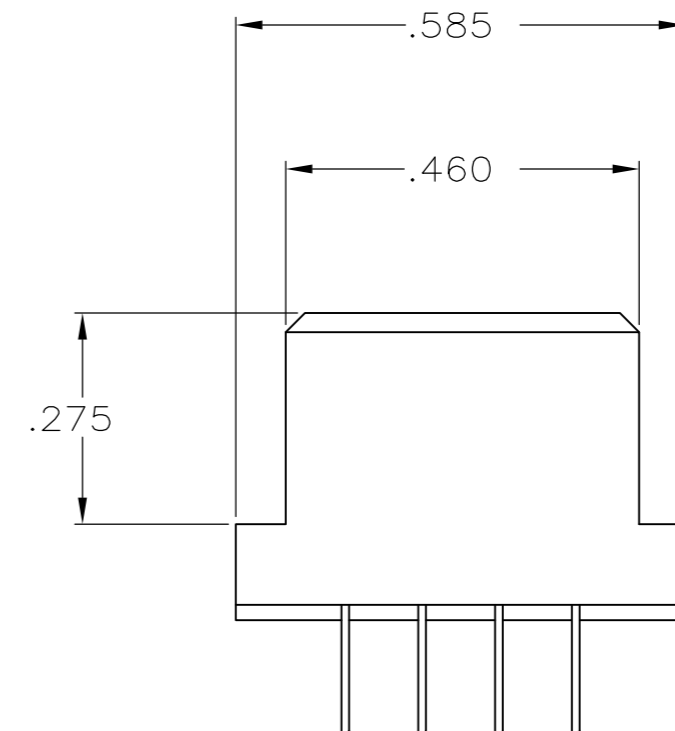
THIS DRAWING IS UNPUBLISHED. RELEASED FOR PUBLICATION - N/A .
 © COPYRIGHT N/A By - ALL RIGHTS RESERVED.

| LOC | | DIST | | REVISIONS | | | |
|-----|-----|-------------|--|-----------|-----|------|--|
| P | LTR | DESCRIPTION | | DATE | DWN | APVD | |
| | G | REACTIVATE | | 2-12-14 | CT | CT | |



RECOMMENDED PC BOARD LAYOUT

- ① HOUSING MATERIAL: POLYPHENYLENE SULFIDE. COLOR: NATURAL (BROWN).
- ② CONTACT MATERIAL: BERYLLIUM COPPER OR COPPER-NICKEL-SILICON PER UNS C70260.
- ③ CONTACT FINISH: .000050-.000100 NICKEL UNDERPLATE ALL OVER, .000030 GOLD IN CONTACT AREA. TIN-LEAD PLATED SOLDER TAILS.
- ④ 'AMP', PART NO. & DATE CODE MARKED IN THIS APPROXIMATE AREA.
- ⑤ CONTACT FINISH: .000050-.000100 NICKEL UNDERPLATE ALL OVER, .000030 GOLD IN CONTACT AREA. TIN PLATED SOLDER TAILS.



| REMARKS | 'A' | NO. OF POSN | PART NO. |
|---------|------|-------------|------------|
| ⑤ | .124 | 60 | 5-533472-2 |
| ③ | .124 | 60 | 533472-2 |
| ③ | .149 | 60 | 533472-1 |

| | | | | |
|--|--|----------------------------------|---|---------------|
| THIS DRAWING IS A CONTROLLED DOCUMENT. | | DWN W. LEUFERT 16-DEC-85 | | |
| DIMENSIONS: INCHES | | CHK L. CASTAGNA 16-DEC-85 | | |
| TOLERANCES UNLESS OTHERWISE SPECIFIED: | | APVD L. CASTAGNA 16-DEC-85 | NAME | |
| 0 PLC ± - 1 PLC ± - 2 PLC ± - 3 PLC ± .005 4 PLC ± - ANGLES ± 0°30' | | PRODUCT SPEC | ASSEMBLY, BOX II, 4 ROW 60 POSN, W/SOLDER TAILS W/O MTG EARS NOR POLARIZERS | |
| MATERIAL | | FINISH | SIZE | CAGE CODE |
| ① - ② | | - ③ | A2 | 00779 |
| CUSTOMER DRAWING | | SCALE | DRAWING NO | RESTRICTED TO |
| | | 4:1 | C=533472 | - |
| | | SHEET | REV | |
| | | 1 of 1 | G | |