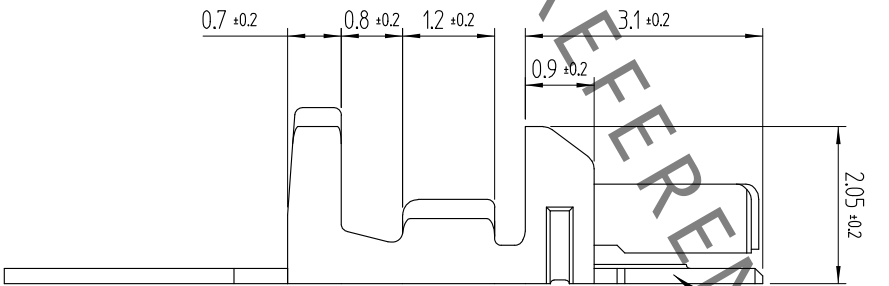
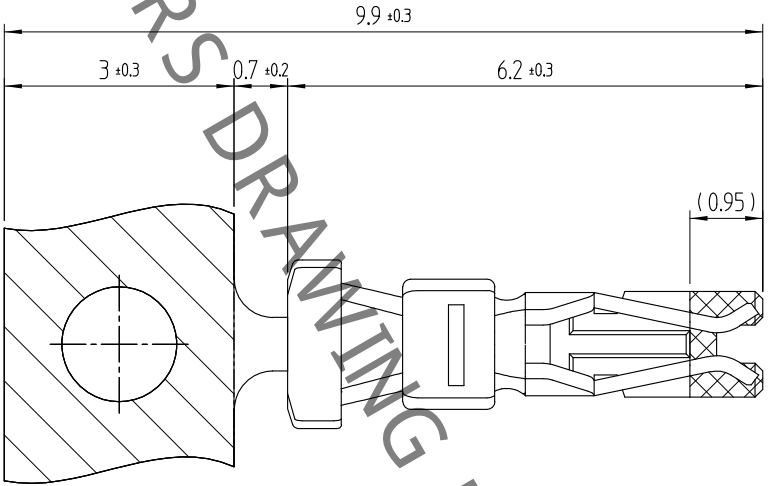
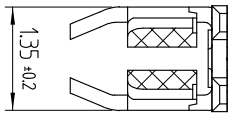


△數 COUNT	訂正事項 DESCRIPTION OF REVISIONS	擔當 B Y	檢圖 CHKD	年月日 DATE	△數 COUNT	訂正事項 DESCRIPTION OF REVISIONS	擔當 B Y	檢圖 CHKD	年月日 DATE
△				..	△				..
△				..	△				..
△				..	△				..



①

NOTE1. ONE REEL HAS 10,000 PIECES OF CONTACTS.

NO.	MATERIAL	FINISH. REMARKS
1	PHOSPHOR BRONZE	CONTACT : GOLD PLATING 0.2 μm MIN CARRIER : TIN PLATING 1 μm MIN OVER NICKEL 0.5 μm MIN

NO.	MATERIAL	FINISH. REMARKS	NO.	MATERIAL	FINISH. REMARKS
CODE NO. (OLD)			DRAWN	CHOI	17.12.22 J.S
			DESIGNED	CHOI	17.12.22 J.S
			CHECKED	LIM	17.12.22 S.M
			APPROVED	KANG	17.12.22 T.S
			RELEASED	ENG	20.02.20 DEPT

SCALE	10:1	DRAWING NO.	EDC4-611497	PART NO.	DF51K-30SCFA(800)	CODE NO	6652-0044-4-800	1/1
UNITS	MM		HRS	HIROSE KOREA CO.,LTD.				1/1