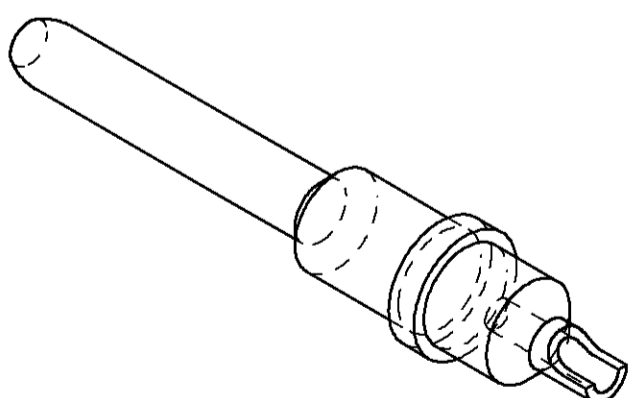
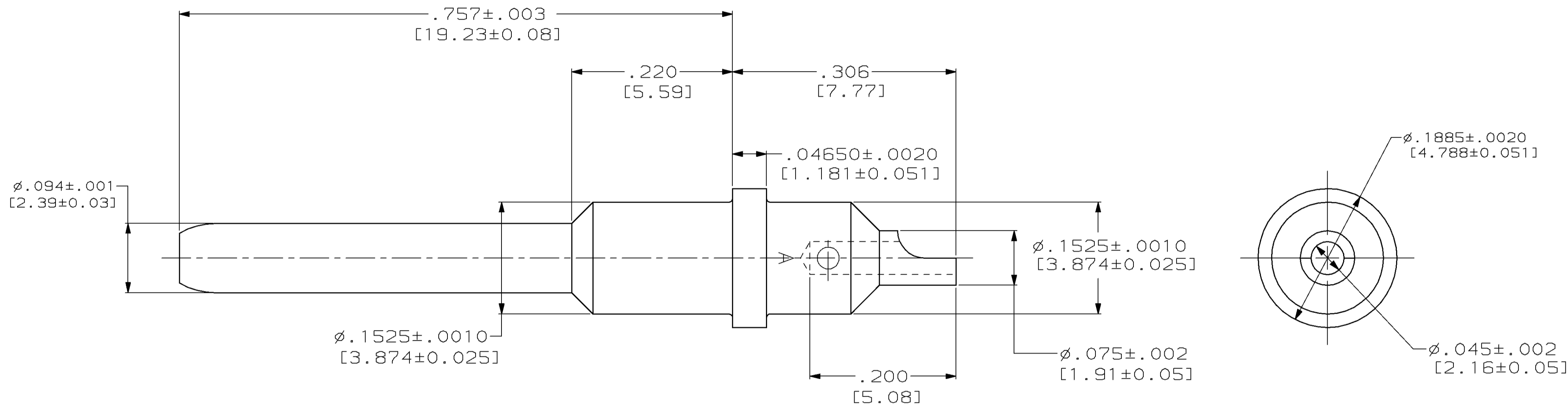


THIS DRAWING IS UNPUBLISHED. RELEASED FOR PUBLICATION
 BY AMP INCORPORATED. ALL RIGHTS RESERVED.

LOC	DIST	REVISIONS					
DF	AO	P	LTR	DESCRIPTION	DATE	DWN	APVD
		0		RELEASED PER 0600-7519-98	5-98	CT	SG
		A		REV PER 0600-7711-98 JB	10-98	JB	SG

1 MATERIAL: COPPER ALLOY PER MIL-C-39029.
 2 FINISH: PLATED GOLD .000050 [0.00127] MIN THK
 PER MIL-G-45204 OVER NICKEL .000050 [0.00127] MIN
 THK PER QQ-N-290.



1218241-2
 PART NO.

THIS DRAWING IS A CONTROLLED DOCUMENT.		DWN C.C. THOMAS 5-14-98	AMP Incorporated Harrisburg, PA 17105-3608	
DIMENSIONS: INCHES [mm]		CHK S. GLATFELTER 6-3-98	NAME CONTACT, SIZE 12, SOLDER CUP, FRONT RELEASE, ARINC 600	
TOLERANCES UNLESS OTHERWISE SPECIFIED:		APVD S. GLATFELTER 6-3-98	SIZE A2	CAGE CODE 00779
0 PLC ±-	1 PLC ±-	PRODUCT SPEC	DRAWING NO C=1218241	RESTRICTED TO
2 PLC ±-	3 PLC ±.005 [0.13]	APPLICATION SPEC	SCALE 10:1	SHEET 1 OF 1
4 PLC ±-	ANGLES ±-	WEIGHT	REV A	
MATERIAL 1	FINISH 2	CUSTOMER DRAWING		