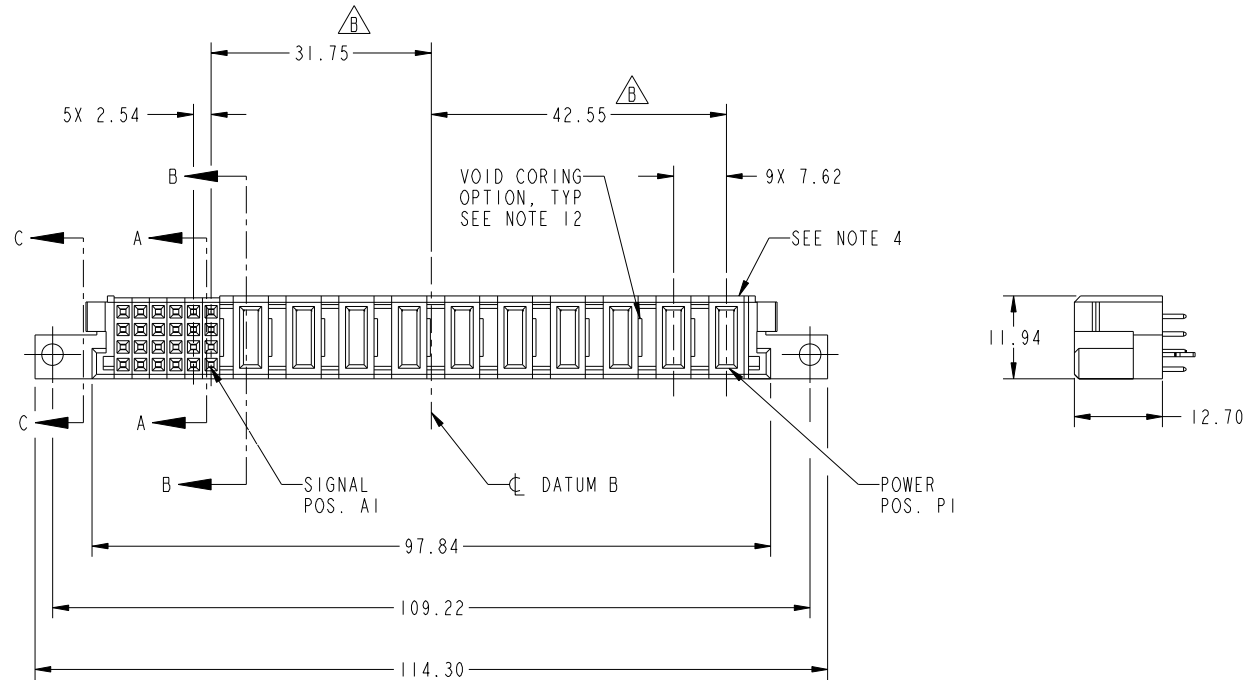


Tous droits strictement reserves. Reproduction ou communication a des tiers interdite sous quelque forme que ce soit sans autorisation écrite du propriétaire. Propriete de c FCI. Droits de reproduction FCI.



All rights strictly reserved. Reproduction or issue to third parties in any form whatever is not permitted without written authority from the proprietor. Property of FCI. Copyright FCI.

PRODUCT NO.	ROWS	SIGNAL					POWER										E1		
		E2	6	5	4	3	2	1	P10	P9	P8	P7	P6	P5	P4	P3		P2	P1
51940-342-- NOTE: 3	D C B A	HA	E	E	E	E	E	E	E	E	E	E	E	E	E	E	E	E	HA



CODE	DIM "M" MATING LENGTH	CONTACT TYPE
E	[N/A]	SIGNAL
PD	[2.34]	POWER
HA	[N/A]	HOLD-DOWN

mat'l code				SEE NOTES		tolerances unless otherwise specified		CUSTOMER	
ltr	ecn no.	dr	date	linear	0.X ±0.5	COPY		FCI	
A	DG10-0136	ZWL	03/29/10		0.XX ±0.25	projection		www.fciconnect.com	
B	DG10-0181	ZWL	05/13/10	angles	0.XXX ±0.1	MIM		title 10P + 24S VERTICAL SOLDER RECEIPT	
				dr	0° ±2°	scale 1:1		product family PwrBlade code 213	
				enr	WL ZHANG 04/10/10			size dwg no 51940-342 sheet 1 of 4	
				chr	WL ZHANG 04/10/10				
				appd	PM Zheng 04/10/10				
					Joseph Hsia 04/10/10				

sheet index	revision sheet	B 1	B 2	B 3	B 4
		1	2	3	4

cage code 22526

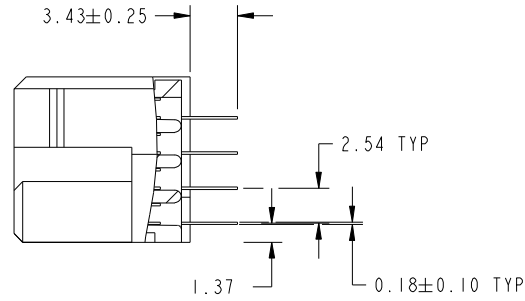
Pro/E

Tous droits strictement reserves. Reproduction ou communication a des tiers interdite sous quelque forme que ce soit sans autorisation écrite du propriétaire. Propriete de c FCI. Droits de reproduction FCI.

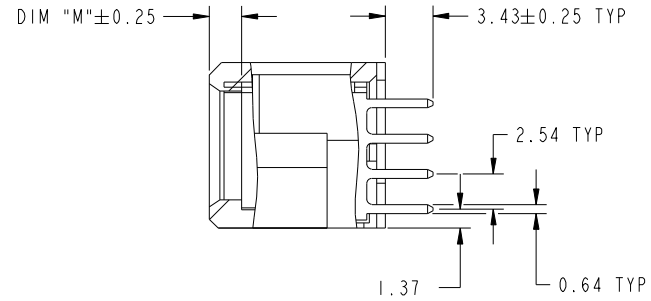
All rights strictly reserved. Reproduction or issue to third parties in any form whatever is not permitted without written authority from the proprietor. Property of FCI. Copyright FCI.



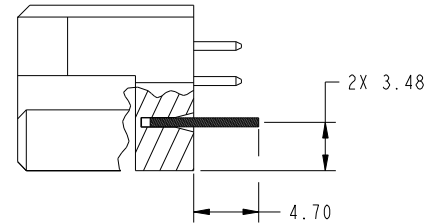
PRODUCT NUMBER
51940-342__
NOTE: 3



SECTION A-A
SCALE 2:1



SECTION B-B
SCALE 2:1



LOCAL SECTION C-C
SCALE 2:1

mat'l code				tolerances unless otherwise specified		CUSTOMER		FCI	
ltr	ecn no.	dr	date	linear	0.X ±0.5	COPY		www.fciconnect.com	
B					0.XX ±0.25	projection		title	
				angles	0.XXX ±0.1			10P + 24S VERTICAL SOLDER RECEPT	
				dr	0° ±2°			product family PwrBlade code	
				enr	WL ZHANG 04/10/10	scale		size	
				chr	WL ZHANG 04/10/10	1:1		dwg no	
				appd	PM Zheng 04/10/10			A 51940-342	
					Joseph Hsia 04/10/10			sheet	
sheet index	revision sheet							2 of 4	

cage code 22526

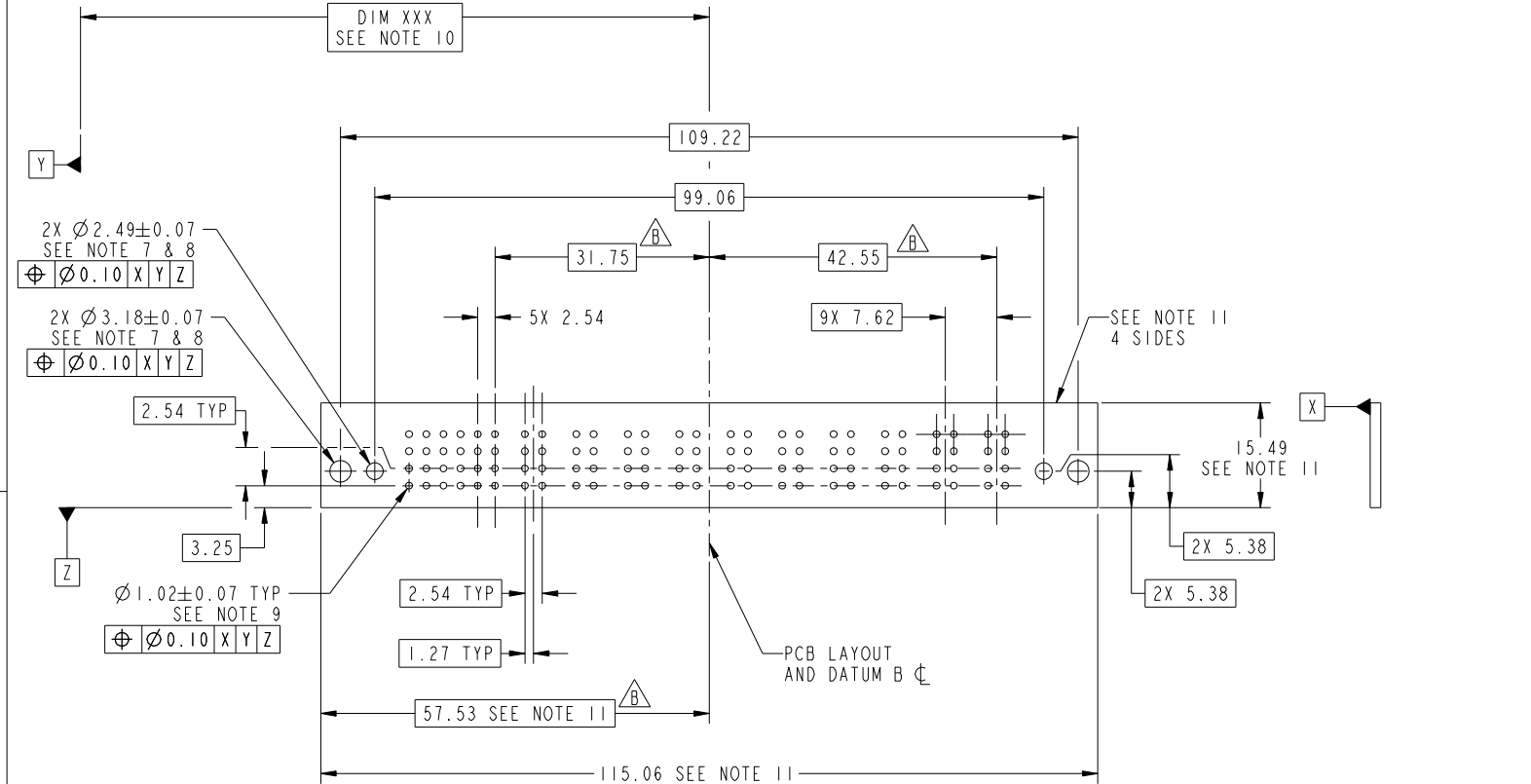
Pro/E

Tous droits strictement reserves. Reproduction ou communication a des tiers interdite sous quelque forme que ce soit sans autorisation écrite du propriétaire. Propriete de c FCI. Droits de reproduction FCI.

All rights strictly reserved. Reproduction or issue to third parties in any form whatever is not permitted without written authority from the proprietor. Property of FCI. Copyright FCI.



PRODUCT NUMBER
51940-342__
NOTE: 3



RECOMMENDED PCB LAYOUT

mat'l code				tolerances unless otherwise specified		CUSTOMER		FCI	
lfr	ecn no.	dr	date	linear	0.X ±0.5	COPY		www.fciconnect.com	
B					0.XX ±0.25	projection		title	
				angles	0.XXX ±0.1			10P + 24S VERTICAL SOLDER RECEPT	
				dr	0° ±2°	MIM		product family PwrBlade code	
				enr	WL ZHANG 04/10/10	scale		size	
				chr	WL ZHANG 04/10/10	1:1		dwg no	
				appd	PM Zheng 04/10/10			51940-342	
					Joseph Hsia 04/10/10			sheet	
sheet index		revision sheet						3 of 4	

cage code 22526

Pro/E

Tous droits strictement reserves. Reproduction ou communication a des tiers interdite sous quelque forme que ce soit sans autorisation écrite du propriétaire. Propriete de c FCI. Droits de reproduction FCI.

All rights strictly reserved. Reproduction or issue to third parties in any form whatever is not permitted without written authority from the proprietor. Property of FCI. Copyright FCI.



PRODUCT NUMBER
51940-342__
NOTE: 3

NOTES:

1. DIMENSIONS AND TOLERANCES ARE IN ACCORDANCE WITH ASME Y14.5M, 1994 UNLESS OTHERWISE SPECIFIED.

CONNECTOR NOTES:

- 2 HOUSING MATERIAL: UL 94 V-0 GLASS FILLED HIGH-TEMP THERMOPLASTIC
POWER CONTACT MATERIAL: COPPER ALLOY
SIGNAL PIN MATERIAL: COPPER ALLOY
- 3. PLATING SPEC.
SEE ITEM 5&6 IN PRINT 10064183 FOR PLATING SPEC OF 51940-342, 51940-342LF RESPECTIVELY
- 4 MANUFACTURER'S NAME, DATE CODE AND OPTIONAL P/N TO APPEAR ON THIS SURFACE. THE P/N CAN BE OMITTED IF THERE IS NOT ENOUGH SPACE ON THIS SURFACE.
- 5. PRODUCT SPECIFICATION GS-12-149.
APPLICATION SPECIFICATION BUS-20-067.
- 6. PACKAGED IN TRAYS.
- PCB NOTES:
- 7. ALL HOLE DIAMETERS ARE FINISHED HOLE SIZE.
- 8 MOUNTING HOLES, WHERE APPLICABLE, ARE UNPLATED.
- 9 $\varnothing 1.151 \pm 0.025$ DRILLED HOLES PLATED WITH 0.008 MIN SnPb OR Sn OVER 0.03 TO 0.08 Cu PLATING TO ACHIEVE $\varnothing 1.02 \pm 0.07$ HOLE.
- 10 "DIM XXX" TO BE DETERMINED BY THE CUSTOMER.
- 11 CONNECTOR KEEP-OUT ZONE.
- 12. THE VOID CORING IN BETWEEN POWER MODULES, SIGNAL MODULES AND END MODULES ARE OPTIONAL AND THE SHAPE MAY BE DIFFERENT FOR OPTIMIZE THE MOLDING PROCESS. THE VOID CORING WILL NOT EFFECT TO PRODUCT FUNCTION.

mat'l code				tolerances unless otherwise specified		CUSTOMER		FCI	
ltr	ecn no.	dr	date	linear	0.X ± 0.5	COPY		www.fciconnect.com	
B				linear	0.XX ± 0.25	projection		title	
				angles	0.XXX ± 0.1			10P + 24S VERTICAL SOLDER RECEPT	
				dr	0° ± 2°			product family PwrBlade code	
				enr	WL ZHANG 04/10/10	scale		size	
				chr	WL ZHANG 04/10/10	1:1		dwg no	
				appd	PM Zheng 04/10/10	A		51940-342	
					Joseph Hsia 04/10/10			sheet	
sheet index	revision sheet							4 of 4	

cage code 22526

Pro/E